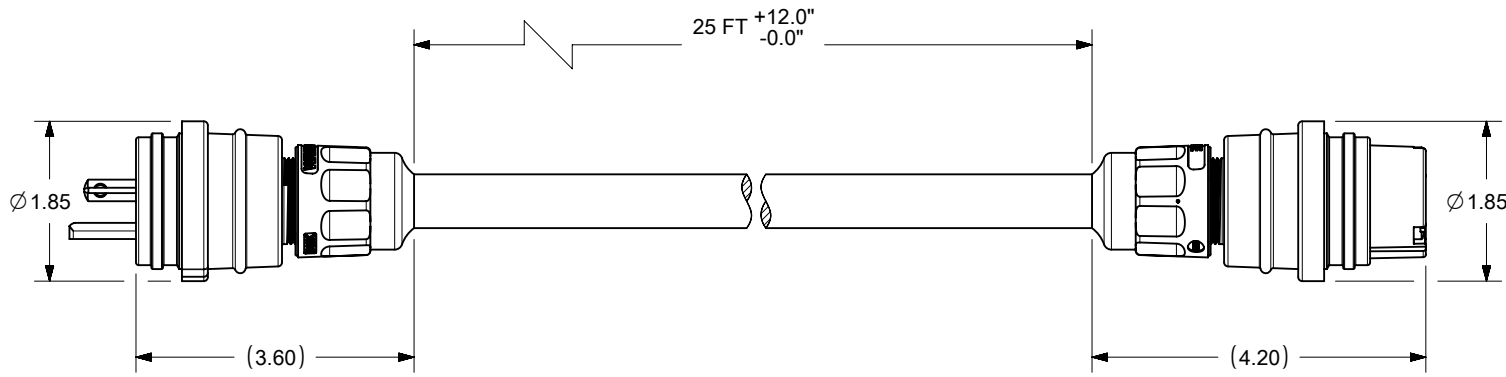
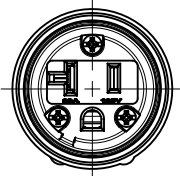
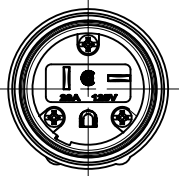


FACE VIEW OF MALE INSERT

FACE VIEW OF FEMALE INSERT



ITEM NO.	DESCRIPTION	MATERIAL	QTY.
1	MALE INSERT ASSY.	NYLON, POLYCARBONATE, BRASS PLATING - NICKEL OR ZINC	1
2	WATERTITE - MALE HUSK	SILICONE	2
3	GROMMET	RUBBER	2
4	FRICITION RING	NYLON	2
5	COMPRESSION NUT YELLOW	NYLON	2
6	YELL SOOWCORD	COPPER WIRE	1
7	FEMALE INSERT ASSY.	NYLON, POLYCARBONATE, BRASS PLATING - NICKEL OR ZINC	1
8	CABLE GLOVE	SILICONE	2
9	RETAINING SCREW	STAINLESS STEEL	6

MATERIAL NO.	ENGINEERING NO.
1301430370	130143-0370

THIS DRAWING CONTAINS INFORMATION THAT IS PROPRIETARY TO MOLEX ELECTRONIC TECHNOLOGIES, LLC AND SHOULD NOT BE USED WITHOUT WRITTEN PERMISSION DIMENSION UNITS: INCH SCALE: NTS CURRENT REV DESC: NEW RELEASE									
GENERAL TOLERANCES (UNLESS SPECIFIED) ANGULAR TOL ± ° ▽ = 0 4 PLACES ± ▽ = 0 3 PLACES ± ▽ = 0 2 PLACES ± ▽ = 0 1 PLACE ± ▽ = 0 0 PLACES ± DRAFT WHERE APPLICABLE MUST REMAIN WITHIN DIMENSIONS					EC NO: 622755 DRWN: PPURSUTANDEL 2019/07/11 CHK'D: DNGUYEN62 2019/11/18 APPR: HKNEELAND 2020/01/13 INITIAL REVISION: DRWN: PPURSUTANDEL 2019/07/11 APPR: HKNEELAND 2020/01/13				
molex 14W33 W/25#12/3 & 15W33MB CONN					PRODUCT CUSTOMER DRAWING				
					DOCUMENT NUMBER 1301430370		DOC TYPE PSD	DOC PART 000	REVISION A
DRAFT WHERE APPLICABLE MUST REMAIN WITHIN DIMENSIONS		THIRD ANGLE PROJECTION	DRAWING A-SIZE	SERIES 130143	MATERIAL NUMBER SEE CHART	CUSTOMER GENERAL MARKET		SHEET NUMBER 1 OF 1	

DOCUMENT STATUS	P1	RELEASE DATE	2020/01/13	18:18:37
-----------------	----	--------------	------------	----------