

Metal switch medium stroke, snap-in, Switching Voltage up to 250V



MSM 22 SI snap in mounting

See below:

**Approvals and Compliances**

**Description**

- Switches with snap-in mounting from the frontside
- Available in version Standard, lettered, with Point Illumination or Ring Illumination
- Further characteristics see MSM 22 data sheet

**Characteristics**

- Housing and actuator material: high-quality stainless steel
- Quick Assembly by snap-in mounting from the front side
- Short Mounting Depth, | for assembly with no access from rear side

**References**

Alternative: Standard version

**Weblinks**

[pdf data sheet](#), [html datasheet](#), [General Product Information](#), [CAD-Drawings](#), [Product News](#), [Detailed request for product](#)

**Technical Data**

**Electrical Data**

Data	See MSM data sheet
------	--------------------

**Mechanical Data**

Mounting	Snap-in
Mounting Diameter	Ø 22 mm
Drilling tolerance	max. 0.15 mm / Drilling edges free of burrs
Panel Thickness	1.5, 2.0, 2.5, 3.0mm
Mounting Force	50 - 100 N
Data	See MSM data sheet

**Climatical Data**

Data	See MSM data sheet
------	--------------------

**Material**

Housing	Stainless Steel
Seal Ring	NBR70
Plastic Nut	PA, UL94


**Approvals and Compliances**

Detailed information on product approvals, code requirements, usage instructions and detailed test conditions can be looked up in [Details about Approvals](#)

SCHURTER products are designed for use in industrial environments. They have approvals from independent testing bodies according to national and international standards. Products with specific characteristics and requirements such as required in the automotive sector according to IATF 16949, medical technology according to ISO 13485 or in the aerospace industry can be offered exclusively with customer-specific, individual agreements by SCHURTER.



**Application standards**

Application standards where the product can be used

Organization	Design	Standard	Description
	Designed for applications acc.	IEC/UL 62368-1	Audio/video, information and communication technology equipment - Part 1: Safety requirements

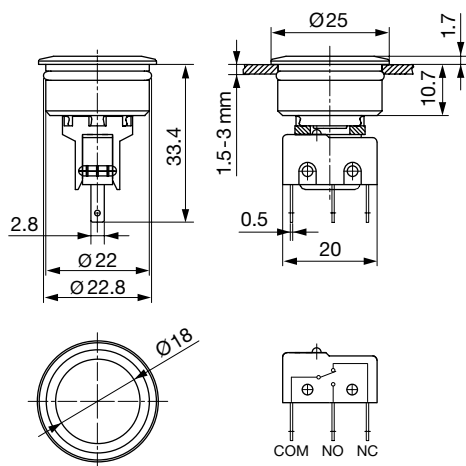
## Compliances

The product complies with following Guide Lines

Identification	Details	Initiator	Description
	RoHS	SCHURTER AG	Directive RoHS 2011/65/EU, Amendment (EU) 2015/863
	REACH	SCHURTER AG	On 1 June 2007, Regulation (EC) No 1907/2006 on the Registration, Evaluation, Authorization and Restriction of Chemicals 1 (abbreviated as "REACH") entered into force.

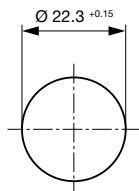
## Dimension [mm]

MSM 22 SI



## Dimension

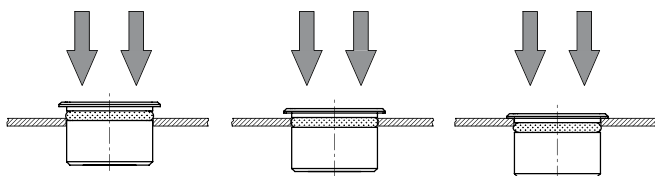
SI 22



Drilling diagram

## Assembly Instructions

Mounting diagram



The assembly becomes effective by the force fitting of the switch into the drilling hole, whereas the O-ring will be displaced. After inserting the switch through the drilling hole, the O-ring expands and the switch is fixed in the drilling hole.

**All Variants**

Diameter	Switching Current	Switching Voltage	Illumination, LED	Housing Material	Panel Thick-	Config. Code	Order Number
[mm]	[A]	[VAC/ VDC]					
22	5 / 3 A	125/250 VAC	Point Illumination, red	Stainless Steel	1.5mm		1241.6693.1121000
22	5 / 3 A	125/250 VAC	Point Illumination, green	Stainless Steel	1.5mm		1241.6693.1122000
22	5 / 3 A	125/250 VAC	non-illuminated	Stainless Steel	1.5mm		1241.6695.1120000
22	5 / 3 A	125/250 VAC	non-illuminated	Stainless Steel	2mm		1241.6699.1120000

Legend:

Type: MSM

PI = Point Illumination

RI = Ring Illumination

Alu = Aluminium

ES = Stainless steel

Point illuminated versions without resistors, details see MSM data sheet

Further snap-in versions and customer-specific solutions on request.  
 Special materials for use in salt and chlorinated environment on request.

■ Most Popular.

Availability for all products can be searched real-time: <https://www.schurter.com/en/Stock-Check/Stock-Check-SCHURTER>

**Packaging unit** 10 in box with insert (10 pcs.)