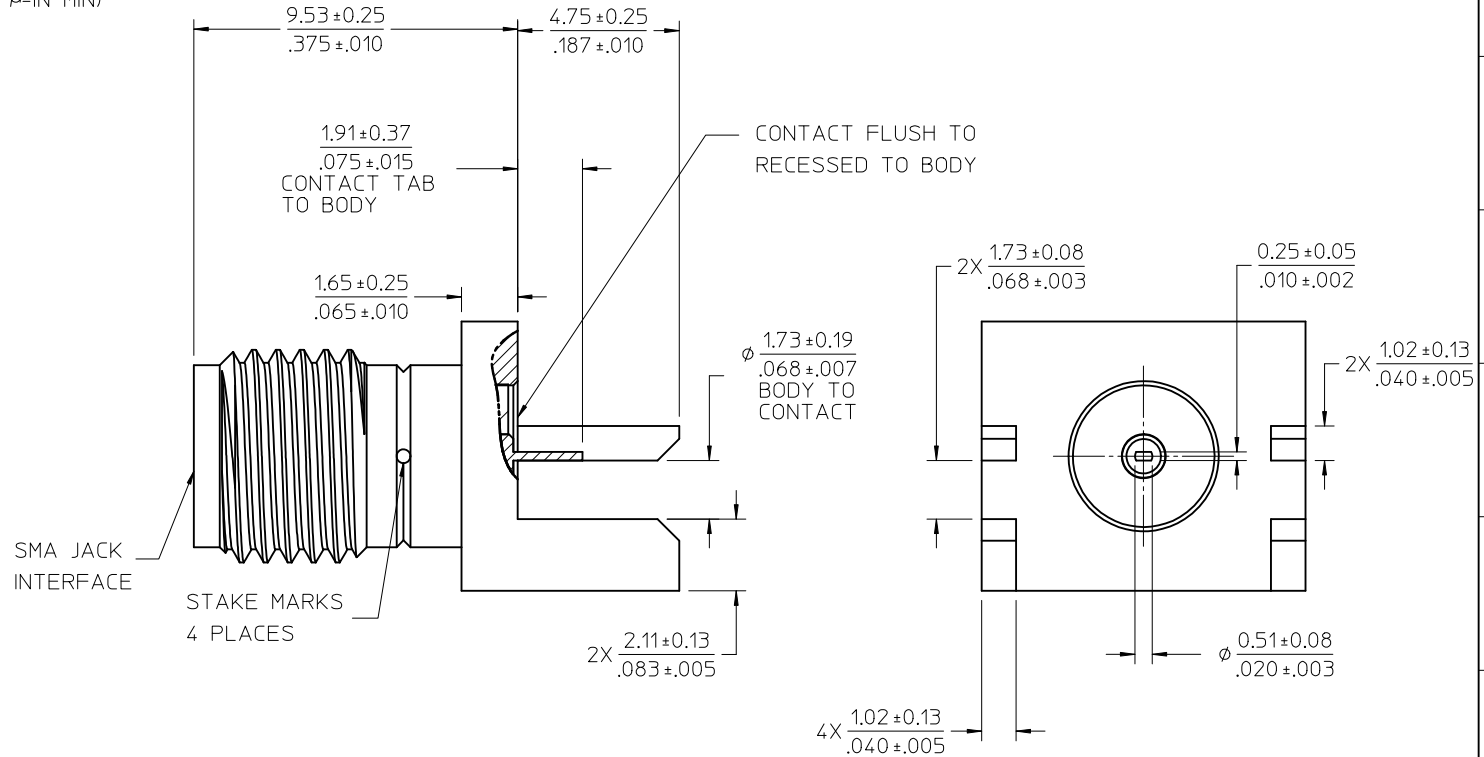
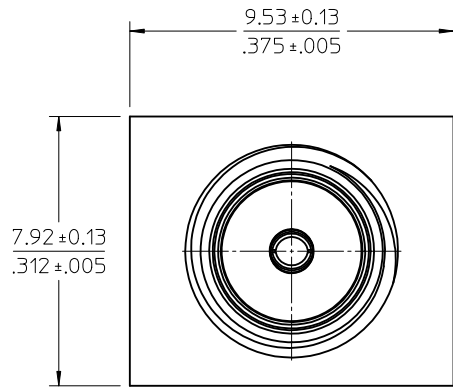
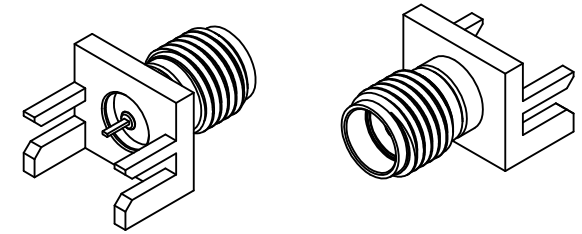


MATERIALS AND FINISHES:

BODY BRASS
 FINISH GOLD (10 μ-IN MIN) OVER NICKEL (100 μ-IN MIN)
 OVER COPPER (50 μ-IN MIN)

CONTACT BERYLLIUM COPPER
 FINISH GOLD (10 μ-IN MIN) OVER NICKEL (100 μ-IN MIN)
 OVER COPPER (50 μ-IN MIN)

INSULATOR TEFLON



CONTACT RETENTION:
 AXIAL 26.7 N(6 LB) MIN
 TORQUE 2.82 N-cm(4 IN-OZ) MIN

UL File Number E107635

PART # 73251-4440

PS-89675-3460	PRODUCT SPECIFICATION
SPECIFICATION	DESCRIPTION

CHG: NEW RELEASE
 EC NO: URF2011-0586
 DRWN:SSH AH 2011/03/30
 CHKD:SSS 2011/04/07
 APPR:WIENER 2011/04/11

QUALITY SYMBOLS
 ▽=0
 ▽=0

GENERAL TOLERANCES (UNLESS SPECIFIED)

	mm	INCH
4 PLACES	± .005	± .0002
3 PLACES	± .003	± .0001
2 PLACES	± .002	± .0001
1 PLACE	± .001	± .0001

ANGULAR ± 2 °

DRAFT WHERE APPLICABLE
 MUST REMAIN
 WITHIN DIMENSIONS

DIMENSION STYLE
 MM/IN

DRAWN BY DATE
 SSHAH 2011/03/08

CHECKED BY DATE
 AZR 2011/04/07

APPROVED BY DATE
 JW IENER 2011/04/11

MATERIAL NO.
 732514440

SIZE
 C

SCALE
 DESIGN UNITS
 METRIC

THIRD ANGLE PROJECTION

TITLE
 SMA JACK PCB END LAUNCH
 50 OHMS TAB CONTACT
 EWR-4637 SMA-J/PCB

MOLEX INCORPORATED

DOCUMENT NO.
 SD-73251-444

SHEET NO.
 1 OF 1

THIS DRAWING CONTAINS INFORMATION THAT IS PROPRIETARY TO MOLEX INCORPORATED AND SHOULD NOT BE USED WITHOUT WRITTEN PERMISSION