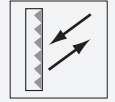


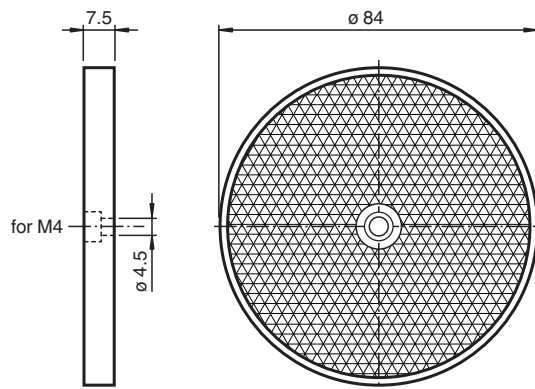
Reflector REF-C110-2



- Mounting holes for simple installation

Reflector, round \varnothing 84 mm, central mounting hole

Dimensions



Technical Data

General specifications	
Construction type	circular
Ambient conditions	
Ambient temperature	-20 ... 60 °C (-4 ... 140 °F)
Mechanical specifications	
Material	PMMA/ABS
Dimensions	Diameter: 84 mm
Mounting	mounting hole

Accessories

	OMH-C110-01	Mounting bracket
--	--------------------	------------------

Release date: 2020-04-06 Date of issue: 2020-06-29 Filename: 113949_eng.pdf

Refer to "General Notes Relating to Pepperl+Fuchs Product Information".

Pepperl+Fuchs Group
www.pepperl-fuchs.com

USA: +1 330 486 0001
fa-info@us.pepperl-fuchs.com

Germany: +49 621 776 1111
fa-info@de.pepperl-fuchs.com

Singapore: +65 6779 9091
fa-info@sg.pepperl-fuchs.com

PEPPERL+FUCHS