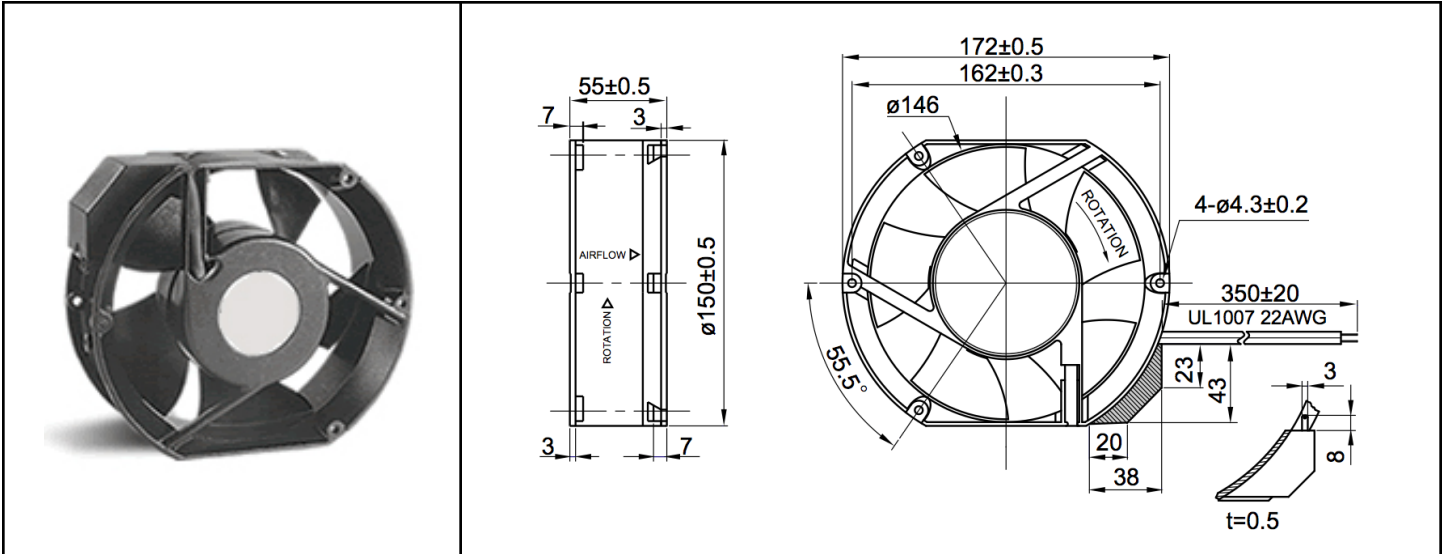


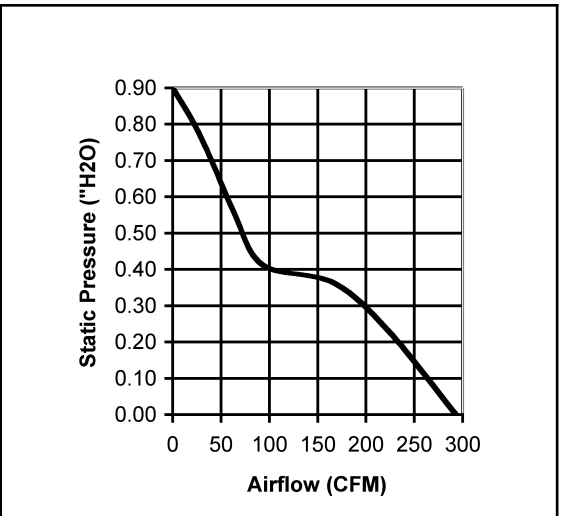
OA172SAP Series-F



AC FAN - CLASS F INSULATION
172x150x55mm (6.7"x 5.9"x 2.2")



Frame	Diecast Aluminum
Impeller	PBT, UL94V-O plastic
Connection	Terminals
Motor	AC Capacitor, Thermally protected, Class F Insulation
Bearing System	Dual ball bearing
Insulation Resistance	>100M ohm between leadwire and frame (500VDC)
Dielectric Strength	1500V / 1 min
Temperature Range	-40C ~ +85C
Life (L10)	65,000 hours (45C)



Part Number	OA172SAP-11-1TBXF	OA172SAP-22-1TBXF
Nominal Voltage	115 VAC	230 VAC
Voltage Range	100 ~ 160 VAC	207 ~ 253 VAC
Nominal Current	0.34 A	0.17 A
Locked Current	0.76 A	0.38 A
Rated Power	38 W	38 W
Rated Speed (RPM)	3400	3400
Airflow (CFM)	293	293
Noise Level (dB)	60	60
Max. Static Pressure (\" H ₂ O)	0.90"	0.90"