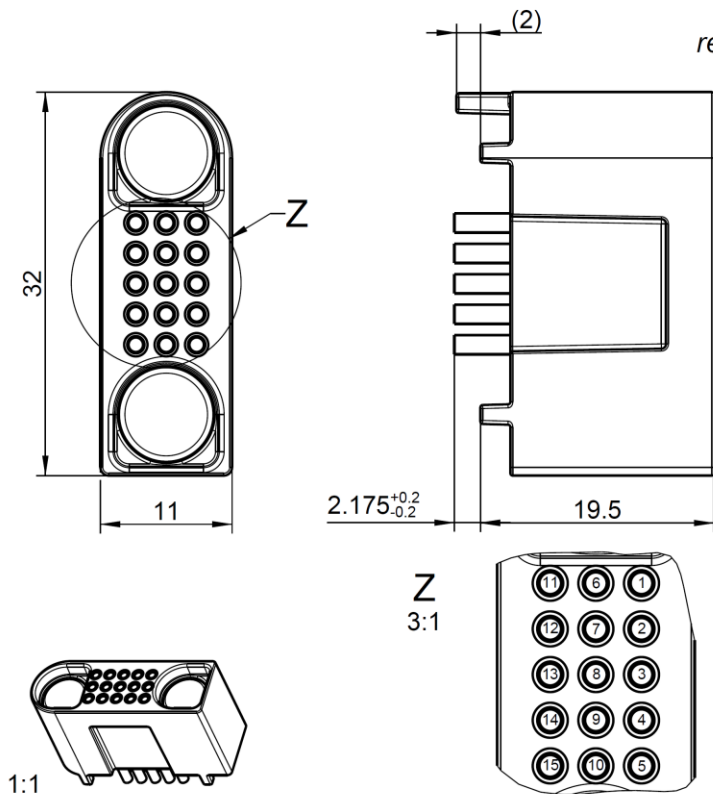


Belegungsplan - PCB Kuppler
recommended face plan - straight jack pcb



Pos.	Signal signal
1	D4-
2	D4+
3	DC
4	TX+/D1+
5	TX-/D1-
6	DC-Power+
7	DC-Power+
8	Ground
9	DC-Power-
10	DC-Power-
11	D3-
12	D3+
13	DC
14	RX-/D2-
15	RX+/D2+

All dimensions are in mm; tolerances according to ISO 2768 m-H

General Information

Magnetic connector	
Coding	mechanical
Number and type of contacts	15 rigid pins
Soldering	Solder cup for pre-tinned wire with cross section 0.25 mm ²

Interface

Mating with	MultiMag 15 cable assembly
-------------	----------------------------

Material and Plating

Connector parts

Insulator
Contact
Magnets

Material

PBT
Brass
NdFeB N52

Plating

white, similar RAL 9003
AuroDur®, gold plated
Nickel

Dieses Dokument ist urheberrechtlich geschützt • This document is protected by copyright • Rosenberger Hochfrequenztechnik GmbH & Co. KG

RF_35/05.10/6.0

MultiMag 15

Receptacle
(Solder Cup Termination)

M9K102-199L

Flammability Rating

Connector parts

Insulator

Category

uncolored raw material acc. to UL94 V-0*

*Please note that a non UL rated color batch is added

Electrical Data

Operating voltage

12 V

Operating current

max. 4.5 A

max. 1.5 A per contact

Contact resistance

typically $\leq 60 \text{ m}\Omega$

Impedance

$\sim 100 \Omega$ differential pairs

Mechanical Data

Mating cycles without load

min. 10.000

Mating cycles under load

min. 1.000

Magnetic retention force

average $\sim 14 \text{ N}$

Environmental Data

Temperature range

-25 °C to +65 °C

Magnets start losing their magnetic properties above 65 °C

Chemical resistance

Isopropanol 70 %

Compliance

RoHS

compliant

Packing

Standard

25 pcs in blister

Weight

$\sim 16.4 \text{ g/pc}$

Caution!

Magnets can impact the function of pace makers and implantable cardioverter-defibrillators (e.g. actuation of reed switch). Keep a minimum distance of 0.2 m (20 cm) between the magnetic connector and the implanted devices to prevent malfunction and danger to health.

While the information has been carefully compiled to the best of our knowledge, nothing is intended as representation or warranty on our part and no statement herein shall be construed as recommendation to infringe existing patents. In the effort to improve our products, we reserve the right to make changes judged to be necessary.

Draft	Date	Approved	Date	Rev.	Engineering change number	Name	Date
H. Wurm	12.06.2015	T. Scheuerlein	18.02.2019	a00	19-s062	S. Doerr	18.02.2019