



NO: TC-048 **PRODUCT:** E52 Temperature Sensors
DATE: April 2012 **TYPE:** Partial Discontinuation Notice

Select Models of E52 Temperature Sensors will be Discontinued March 31, 2013

Omron has not actively promoted E52 temperature sensors in the Americas because high quality options are commercially available at more attractive prices. The following temperature sensors will be discontinued and replaced with “Y type” models:

Product Discontinuation



Temperature Sensors
Model E52-CA□A, E52-IC□A
Model E52-CA1D, E52-IC1D
Model E52-CA1D-40
Model E52-CA1GT, E52-IC1GT
Model E52-CA1GT-14
Model E52-P□A, E52-P6D



Recommended Replacement

Temperature Sensors
Model E52-CA□AY E52-IC□AY
Model E52-CA1DY E52-IC1DY
Model E52-CA1DY-40
Model E52-CA1GTY E52-IC1GTY
Model E52-CA1GTY-14
Model E52-P□AY E52-P6DY

No recommended replacement depending on the protective tubing length or lead wire length. Please refer to the following list for more information.

Caution on Applying Recommended Replacement

The size of crimping terminal for all discontinued products is M4 (allows connection to M4 screw terminal block and M3.5 screw terminal block.); however, the size of “Y type” crimping terminal for all recommended replacements is M3.5 (allows connection to M3 screw terminal block and M3.5 screw terminal block.). Please be aware that “Y type” replacement sensors cannot be connected to M4 screw terminal block.

Difference from Discontinued Product

Recommended Replacement Model	Body Color	Dimensions	Wire Connection	Mounting Dimensions	Characteristics	Operation ratings	Operation methods
E52-CA□AY	*	*	**	*	**	*	**
E52-IC□AY	*	*	**	*	**	*	**
E52-CA1DY	*	*	**	**	**	**	**
E52-IC1DY	*	*	**	**	**	**	**
E52-CA1DY-40	*	*	**	**	**	**	**
E52-CA1GTY	*	*	**	*	*	*	**
E52-IC1GTY	*	*	**	*	*	*	**
E52-CA1GTY-14	*	*	**	*	--	*	**
E52-P□AY	*	*	**	*	*	*	**
E52-P6DY	**	*	**	**	**	**	**

** : Fully compatible

* : The change is a little/Almost compatible

-- : Not compatible

- : No corresponding specification

Reference Documentation

Description	Media	Publication Number
E52 Temperature Sensors Data Sheet	PDF	E52_DS_E_7_1

Product Discontinuation and Recommended Replacement

Product discontinuation	Recommended replacement
E52-CA15A D=1 1M	E52-CA15AY D=1 1M
E52-CA15A D=1 2M	E52-CA15AY D=1 2M
E52-CA15A D=1 4M	E52-CA15AY D=1 4M
E52-CA15A D=1 8M	E52-CA15AY D=1 8M
E52-CA15A D=1 NETU 1M	E52-CA15AY D=1 NETU 1M
E52-CA15A D=1 NETU 2M	E52-CA15AY D=1 NETU 2M
E52-CA15A D=1 NETU 4M	E52-CA15AY D=1 NETU 4M
E52-CA15A D=1 NETU 8M	E52-CA15AY D=1 NETU 8M
E52-CA15A D=1.6 1M	E52-CA15AY D=1.6 1M
E52-CA15A D=1.6 2M	E52-CA15AY D=1.6 2M
E52-CA15A D=1.6 4M	E52-CA15AY D=1.6 4M
E52-CA15A D=1.6 8M	E52-CA15AY D=1.6 8M
E52-CA15A D=1.6 NETU 1M	E52-CA15AY D=1.6 NETU 1M
E52-CA15A D=1.6 NETU 2M	E52-CA15AY D=1.6 NETU 2M
E52-CA15A D=1.6 NETU 4M	E52-CA15AY D=1.6 NETU 4M
E52-CA15A D=1.6 NETU 8M	E52-CA15AY D=1.6 NETU 8M
E52-CA15A D=3.2 1M	E52-CA15AY D=3.2 1M
E52-CA15A D=3.2 2M	E52-CA15AY D=3.2 2M
E52-CA15A D=3.2 4M	E52-CA15AY D=3.2 4M
E52-CA15A D=3.2 8M	E52-CA15AY D=3.2 8M
E52-CA15A D=3.2 NETU 1M	E52-CA15AY D=3.2 NETU 1M
E52-CA15A D=3.2 NETU 2M	E52-CA15AY D=3.2 NETU 2M
E52-CA15A D=3.2 NETU 4M	E52-CA15AY D=3.2 NETU 4M
E52-CA15A D=3.2 NETU 8M	E52-CA15AY D=3.2 NETU 8M
E52-CA20A D=1 1M	E52-CA20AY D=1 1M
E52-CA20A D=1 2M	E52-CA20AY D=1 2M
E52-CA20A D=1 4M	E52-CA20AY D=1 4M
E52-CA20A D=1 8M	E52-CA20AY D=1 8M
E52-CA20A D=1 NETU 1M	E52-CA20AY D=1 NETU 1M
E52-CA20A D=1 NETU 2M	E52-CA20AY D=1 NETU 2M
E52-CA20A D=1 NETU 4M	E52-CA20AY D=1 NETU 4M
E52-CA20A D=1 NETU 8M	E52-CA20AY D=1 NETU 8M
E52-CA20A D=1.6 1M	E52-CA20AY D=1.6 1M
E52-CA20A D=1.6 2M	E52-CA20AY D=1.6 2M
E52-CA20A D=1.6 4M	E52-CA20AY D=1.6 4M
E52-CA20A D=1.6 8M	E52-CA20AY D=1.6 8M
E52-CA20A D=1.6 NETU 1M	E52-CA20AY D=1.6 NETU 1M
E52-CA20A D=1.6 NETU 2M	E52-CA20AY D=1.6 NETU 2M
E52-CA20A D=1.6 NETU 4M	E52-CA20AY D=1.6 NETU 4M
E52-CA20A D=1.6 NETU 8M	E52-CA20AY D=1.6 NETU 8M
E52-CA20A D=3.2 1M	E52-CA20AY D=3.2 1M
E52-CA20A D=3.2 2M	E52-CA20AY D=3.2 2M
E52-CA20A D=3.2 4M	E52-CA20AY D=3.2 4M
E52-CA20A D=3.2 8M	E52-CA20AY D=3.2 8M
E52-CA20A D=3.2 NETU 1M	E52-CA20AY D=3.2 NETU 1M
E52-CA20A D=3.2 NETU 2M	E52-CA20AY D=3.2 NETU 2M
E52-CA20A D=3.2 NETU 4M	E52-CA20AY D=3.2 NETU 4M
E52-CA20A D=3.2 NETU 8M	E52-CA20AY D=3.2 NETU 8M
E52-CA20A D=4.8 1M	E52-CA20AY D=4.8 1M
E52-CA20A D=4.8 2M	E52-CA20AY D=4.8 2M
E52-CA20A D=4.8 4M	E52-CA20AY D=4.8 4M
E52-CA20A D=4.8 8M	E52-CA20AY D=4.8 8M
E52-CA20A D=4.8 NETU 1M	E52-CA20AY D=4.8 NETU 1M
E52-CA20A D=4.8 NETU 2M	E52-CA20AY D=4.8 NETU 2M
E52-CA20A D=4.8 NETU 4M	E52-CA20AY D=4.8 NETU 4M

Product discontinuation	Recommended replacement
E52-CA20A D=4.8 NETU 8M	E52-CA20AY D=4.8 NETU 8M
E52-CA20A D=6.4 1M	E52-CA20AY D=6.4 1M
E52-CA20A D=6.4 2M	E52-CA20AY D=6.4 2M
E52-CA20A D=6.4 4M	E52-CA20AY D=6.4 4M
E52-CA20A D=6.4 8M	E52-CA20AY D=6.4 8M
E52-CA20A D=6.4 NETU 1M	E52-CA20AY D=6.4 NETU 1M
E52-CA20A D=6.4 NETU 2M	E52-CA20AY D=6.4 NETU 2M
E52-CA20A D=6.4 NETU 4M	E52-CA20AY D=6.4 NETU 4M
E52-CA20A D=6.4 NETU 8M	E52-CA20AY D=6.4 NETU 8M
E52-CA20A D=8 1M	E52-CA20AY D=8 1M
E52-CA20A D=8 2M	E52-CA20AY D=8 2M
E52-CA20A D=8 4M	E52-CA20AY D=8 4M
E52-CA20A D=8 8M	E52-CA20AY D=8 8M
E52-CA20A D=8 NETU 1M	E52-CA20AY D=8 NETU 1M
E52-CA20A D=8 NETU 2M	E52-CA20AY D=8 NETU 2M
E52-CA20A D=8 NETU 4M	E52-CA20AY D=8 NETU 4M
E52-CA20A D=8 NETU 8M	E52-CA20AY D=8 NETU 8M
E52-CA35A D=1 1M	E52-CA35AY D=1 1M
E52-CA35A D=1 2M	E52-CA35AY D=1 2M
E52-CA35A D=1 4M	E52-CA35AY D=1 4M
E52-CA35A D=1 8M	E52-CA35AY D=1 8M
E52-CA35A D=1 NETU 1M	E52-CA35AY D=1 NETU 1M
E52-CA35A D=1 NETU 2M	E52-CA35AY D=1 NETU 2M
E52-CA35A D=1 NETU 4M	E52-CA35AY D=1 NETU 4M
E52-CA35A D=1 NETU 8M	E52-CA35AY D=1 NETU 8M
E52-CA35A D=1.6 1M	E52-CA35AY D=1.6 1M
E52-CA35A D=1.6 2M	E52-CA35AY D=1.6 2M
E52-CA35A D=1.6 4M	E52-CA35AY D=1.6 4M
E52-CA35A D=1.6 8M	E52-CA35AY D=1.6 8M
E52-CA35A D=1.6 NETU 1M	E52-CA35AY D=1.6 NETU 1M
E52-CA35A D=1.6 NETU 2M	E52-CA35AY D=1.6 NETU 2M
E52-CA35A D=1.6 NETU 4M	E52-CA35AY D=1.6 NETU 4M
E52-CA35A D=1.6 NETU 8M	E52-CA35AY D=1.6 NETU 8M
E52-CA35A D=3.2 1M	E52-CA35AY D=3.2 1M
E52-CA35A D=3.2 2M	E52-CA35AY D=3.2 2M
E52-CA35A D=3.2 4M	E52-CA35AY D=3.2 4M
E52-CA35A D=3.2 8M	E52-CA35AY D=3.2 8M
E52-CA35A D=3.2 NETU 1M	E52-CA35AY D=3.2 NETU 1M
E52-CA35A D=3.2 NETU 2M	E52-CA35AY D=3.2 NETU 2M
E52-CA35A D=3.2 NETU 4M	E52-CA35AY D=3.2 NETU 4M
E52-CA35A D=3.2 NETU 8M	E52-CA35AY D=3.2 NETU 8M
E52-CA35A D=4.8 1M	E52-CA35AY D=4.8 1M
E52-CA35A D=4.8 2M	E52-CA35AY D=4.8 2M
E52-CA35A D=4.8 4M	E52-CA35AY D=4.8 4M
E52-CA35A D=4.8 8M	E52-CA35AY D=4.8 8M
E52-CA35A D=4.8 NETU 1M	E52-CA35AY D=4.8 NETU 1M
E52-CA35A D=4.8 NETU 2M	E52-CA35AY D=4.8 NETU 2M
E52-CA35A D=4.8 NETU 4M	E52-CA35AY D=4.8 NETU 4M
E52-CA35A D=4.8 NETU 8M	E52-CA35AY D=4.8 NETU 8M
E52-CA35A D=6.4 1M	E52-CA35AY D=6.4 1M
E52-CA35A D=6.4 2M	E52-CA35AY D=6.4 2M
E52-CA35A D=6.4 4M	E52-CA35AY D=6.4 4M
E52-CA35A D=6.4 8M	E52-CA35AY D=6.4 8M
E52-CA35A D=6.4 NETU 1M	E52-CA35AY D=6.4 NETU 1M
E52-CA35A D=6.4 NETU 2M	E52-CA35AY D=6.4 NETU 2M
E52-CA35A D=6.4 NETU 4M	E52-CA35AY D=6.4 NETU 4M
E52-CA35A D=6.4 NETU 8M	E52-CA35AY D=6.4 NETU 8M

Product discontinuation	Recommended replacement
E52-CA35A D=8 1M	E52-CA35AY D=8 1M
E52-CA35A D=8 2M	E52-CA35AY D=8 2M
E52-CA35A D=8 4M	E52-CA35AY D=8 4M
E52-CA35A D=8 8M	E52-CA35AY D=8 8M
E52-CA35A D=8 NETU 1M	E52-CA35AY D=8 NETU 1M
E52-CA35A D=8 NETU 2M	E52-CA35AY D=8 NETU 2M
E52-CA35A D=8 NETU 4M	E52-CA35AY D=8 NETU 4M
E52-CA35A D=8 NETU 8M	E52-CA35AY D=8 NETU 8M
E52-CA50A D=3.2 1M	E52-CA50AY D=3.2 1M
E52-CA50A D=3.2 2M	E52-CA50AY D=3.2 2M
E52-CA50A D=3.2 4M	E52-CA50AY D=3.2 4M
E52-CA50A D=3.2 8M	E52-CA50AY D=3.2 8M
E52-CA50A D=3.2 NETU 1M	E52-CA50AY D=3.2 NETU 1M
E52-CA50A D=3.2 NETU 2M	E52-CA50AY D=3.2 NETU 2M
E52-CA50A D=3.2 NETU 4M	E52-CA50AY D=3.2 NETU 4M
E52-CA50A D=3.2 NETU 8M	E52-CA50AY D=3.2 NETU 8M
E52-CA50A D=4.8 1M	E52-CA50AY D=4.8 1M
E52-CA50A D=4.8 2M	E52-CA50AY D=4.8 2M
E52-CA50A D=4.8 4M	E52-CA50AY D=4.8 4M
E52-CA50A D=4.8 8M	E52-CA50AY D=4.8 8M
E52-CA50A D=4.8 NETU 1M	E52-CA50AY D=4.8 NETU 1M
E52-CA50A D=4.8 NETU 2M	E52-CA50AY D=4.8 NETU 2M
E52-CA50A D=4.8 NETU 4M	E52-CA50AY D=4.8 NETU 4M
E52-CA50A D=4.8 NETU 8M	E52-CA50AY D=4.8 NETU 8M
E52-CA50A D=6.4 1M	E52-CA50AY D=6.4 1M
E52-CA50A D=6.4 2M	E52-CA50AY D=6.4 2M
E52-CA50A D=6.4 4M	E52-CA50AY D=6.4 4M
E52-CA50A D=6.4 8M	E52-CA50AY D=6.4 8M
E52-CA50A D=6.4 NETU 1M	E52-CA50AY D=6.4 NETU 1M
E52-CA50A D=6.4 NETU 2M	E52-CA50AY D=6.4 NETU 2M
E52-CA50A D=6.4 NETU 4M	E52-CA50AY D=6.4 NETU 4M
E52-CA50A D=6.4 NETU 8M	E52-CA50AY D=6.4 NETU 8M
E52-CA50A D=8 1M	E52-CA50AY D=8 1M
E52-CA50A D=8 2M	E52-CA50AY D=8 2M
E52-CA50A D=8 4M	E52-CA50AY D=8 4M
E52-CA50A D=8 8M	E52-CA50AY D=8 8M
E52-CA50A D=8 NETU 1M	E52-CA50AY D=8 NETU 1M
E52-CA50A D=8 NETU 2M	E52-CA50AY D=8 NETU 2M
E52-CA50A D=8 NETU 4M	E52-CA50AY D=8 NETU 4M
E52-CA50A D=8 NETU 8M	E52-CA50AY D=8 NETU 8M
E52-IC15A D=1 1M	E52-IC15AY D=1 1M
E52-IC15A D=1 2M	E52-IC15AY D=1 2M
E52-IC15A D=1 4M	E52-IC15AY D=1 4M
E52-IC15A D=1 NETU 1M	E52-IC15AY D=1 NETU 1M
E52-IC15A D=1 NETU 2M	E52-IC15AY D=1 NETU 2M
E52-IC15A D=1 NETU 4M	E52-IC15AY D=1 NETU 4M
E52-IC15A D=1.6 1M	E52-IC15AY D=1.6 1M
E52-IC15A D=1.6 2M	E52-IC15AY D=1.6 2M
E52-IC15A D=1.6 4M	E52-IC15AY D=1.6 4M
E52-IC15A D=1.6 NETU 1M	E52-IC15AY D=1.6 NETU 1M
E52-IC15A D=1.6 NETU 2M	E52-IC15AY D=1.6 NETU 2M
E52-IC15A D=1.6 NETU 4M	E52-IC15AY D=1.6 NETU 4M
E52-IC15A D=3.2 1M	E52-IC15AY D=3.2 1M
E52-IC15A D=3.2 2M	E52-IC15AY D=3.2 2M
E52-IC15A D=3.2 4M	E52-IC15AY D=3.2 4M
E52-IC15A D=3.2 NETU 1M	E52-IC15AY D=3.2 NETU 1M
E52-IC15A D=3.2 NETU 2M	E52-IC15AY D=3.2 NETU 2M

Product discontinuation	Recommended replacement
E52-IC15A D=3.2 NETU 4M	E52-IC15AY D=3.2 NETU 4M
E52-IC20A D=1 1M	E52-IC20AY D=1 1M
E52-IC20A D=1 2M	E52-IC20AY D=1 2M
E52-IC20A D=1 4M	E52-IC20AY D=1 4M
E52-IC20A D=1 NETU 1M	E52-IC20AY D=1 NETU 1M
E52-IC20A D=1 NETU 2M	E52-IC20AY D=1 NETU 2M
E52-IC20A D=1 NETU 4M	E52-IC20AY D=1 NETU 4M
E52-IC20A D=1.6 1M	E52-IC20AY D=1.6 1M
E52-IC20A D=1.6 2M	E52-IC20AY D=1.6 2M
E52-IC20A D=1.6 4M	E52-IC20AY D=1.6 4M
E52-IC20A D=1.6 NETU 1M	E52-IC20AY D=1.6 NETU 1M
E52-IC20A D=1.6 NETU 2M	E52-IC20AY D=1.6 NETU 2M
E52-IC20A D=1.6 NETU 4M	E52-IC20AY D=1.6 NETU 4M
E52-IC20A D=3.2 1M	E52-IC20AY D=3.2 1M
E52-IC20A D=3.2 2M	E52-IC20AY D=3.2 2M
E52-IC20A D=3.2 4M	E52-IC20AY D=3.2 4M
E52-IC20A D=3.2 NETU 1M	E52-IC20AY D=3.2 NETU 1M
E52-IC20A D=3.2 NETU 2M	E52-IC20AY D=3.2 NETU 2M
E52-IC20A D=3.2 NETU 4M	E52-IC20AY D=3.2 NETU 4M
E52-IC20A D=4.8 1M	E52-IC20AY D=4.8 1M
E52-IC20A D=4.8 2M	E52-IC20AY D=4.8 2M
E52-IC20A D=4.8 4M	E52-IC20AY D=4.8 4M
E52-IC20A D=4.8 NETU 1M	E52-IC20AY D=4.8 NETU 1M
E52-IC20A D=4.8 NETU 2M	E52-IC20AY D=4.8 NETU 2M
E52-IC20A D=4.8 NETU 4M	E52-IC20AY D=4.8 NETU 4M
E52-IC20A D=6.4 1M	E52-IC20AY D=6.4 1M
E52-IC20A D=6.4 2M	E52-IC20AY D=6.4 2M
E52-IC20A D=6.4 4M	E52-IC20AY D=6.4 4M
E52-IC20A D=6.4 NETU 1M	E52-IC20AY D=6.4 NETU 1M
E52-IC20A D=6.4 NETU 2M	E52-IC20AY D=6.4 NETU 2M
E52-IC20A D=6.4 NETU 4M	E52-IC20AY D=6.4 NETU 4M
E52-IC20A D=8 1M	E52-IC20AY D=8 1M
E52-IC20A D=8 2M	E52-IC20AY D=8 2M
E52-IC20A D=8 4M	E52-IC20AY D=8 4M
E52-IC20A D=8 NETU 1M	E52-IC20AY D=8 NETU 1M
E52-IC20A D=8 NETU 2M	E52-IC20AY D=8 NETU 2M
E52-IC20A D=8 NETU 4M	E52-IC20AY D=8 NETU 4M
E52-IC35A D=1 1M	E52-IC35AY D=1 1M
E52-IC35A D=1 2M	E52-IC35AY D=1 2M
E52-IC35A D=1 4M	E52-IC35AY D=1 4M
E52-IC35A D=1 NETU 1M	E52-IC35AY D=1 NETU 1M
E52-IC35A D=1 NETU 2M	E52-IC35AY D=1 NETU 2M
E52-IC35A D=1 NETU 4M	E52-IC35AY D=1 NETU 4M
E52-IC35A D=1.6 1M	E52-IC35AY D=1.6 1M
E52-IC35A D=1.6 2M	E52-IC35AY D=1.6 2M
E52-IC35A D=1.6 4M	E52-IC35AY D=1.6 4M
E52-IC35A D=1.6 NETU 1M	E52-IC35AY D=1.6 NETU 1M
E52-IC35A D=1.6 NETU 2M	E52-IC35AY D=1.6 NETU 2M
E52-IC35A D=1.6 NETU 4M	E52-IC35AY D=1.6 NETU 4M
E52-IC35A D=3.2 1M	E52-IC35AY D=3.2 1M
E52-IC35A D=3.2 2M	E52-IC35AY D=3.2 2M
E52-IC35A D=3.2 4M	E52-IC35AY D=3.2 4M
E52-IC35A D=3.2 NETU 1M	E52-IC35AY D=3.2 NETU 1M
E52-IC35A D=3.2 NETU 2M	E52-IC35AY D=3.2 NETU 2M
E52-IC35A D=3.2 NETU 4M	E52-IC35AY D=3.2 NETU 4M
E52-IC35A D=4.8 1M	E52-IC35AY D=4.8 1M
E52-IC35A D=4.8 2M	E52-IC35AY D=4.8 2M

Product discontinuation	Recommended replacement
E52-IC35A D=4.8 4M	E52-IC35AY D=4.8 4M
E52-IC35A D=4.8 NETU 1M	E52-IC35AY D=4.8 NETU 1M
E52-IC35A D=4.8 NETU 2M	E52-IC35AY D=4.8 NETU 2M
E52-IC35A D=4.8 NETU 4M	E52-IC35AY D=4.8 NETU 4M
E52-IC35A D=6.4 1M	E52-IC35AY D=6.4 1M
E52-IC35A D=6.4 2M	E52-IC35AY D=6.4 2M
E52-IC35A D=6.4 4M	E52-IC35AY D=6.4 4M
E52-IC35A D=6.4 NETU 1M	E52-IC35AY D=6.4 NETU 1M
E52-IC35A D=6.4 NETU 2M	E52-IC35AY D=6.4 NETU 2M
E52-IC35A D=6.4 NETU 4M	E52-IC35AY D=6.4 NETU 4M
E52-IC35A D=8 1M	E52-IC35AY D=8 1M
E52-IC35A D=8 2M	E52-IC35AY D=8 2M
E52-IC35A D=8 4M	E52-IC35AY D=8 4M
E52-IC35A D=8 NETU 1M	E52-IC35AY D=8 NETU 1M
E52-IC35A D=8 NETU 2M	E52-IC35AY D=8 NETU 2M
E52-IC35A D=8 NETU 4M	E52-IC35AY D=8 NETU 4M
E52-IC50A D=3.2 1M	E52-IC50AY D=3.2 1M
E52-IC50A D=3.2 2M	E52-IC50AY D=3.2 2M
E52-IC50A D=3.2 4M	E52-IC50AY D=3.2 4M
E52-IC50A D=3.2 NETU 1M	E52-IC50AY D=3.2 NETU 1M
E52-IC50A D=3.2 NETU 2M	E52-IC50AY D=3.2 NETU 2M
E52-IC50A D=3.2 NETU 4M	E52-IC50AY D=3.2 NETU 4M
E52-IC50A D=4.8 1M	E52-IC50AY D=4.8 1M
E52-IC50A D=4.8 2M	E52-IC50AY D=4.8 2M
E52-IC50A D=4.8 4M	E52-IC50AY D=4.8 4M
E52-IC50A D=4.8 NETU 1M	E52-IC50AY D=4.8 NETU 1M
E52-IC50A D=4.8 NETU 2M	E52-IC50AY D=4.8 NETU 2M
E52-IC50A D=4.8 NETU 4M	E52-IC50AY D=4.8 NETU 4M
E52-IC50A D=6.4 1M	E52-IC50AY D=6.4 1M
E52-IC50A D=6.4 2M	E52-IC50AY D=6.4 2M
E52-IC50A D=6.4 4M	E52-IC50AY D=6.4 4M
E52-IC50A D=6.4 NETU 1M	E52-IC50AY D=6.4 NETU 1M
E52-IC50A D=6.4 NETU 2M	E52-IC50AY D=6.4 NETU 2M
E52-IC50A D=6.4 NETU 4M	E52-IC50AY D=6.4 NETU 4M
E52-IC50A D=8 1M	E52-IC50AY D=8 1M
E52-IC50A D=8 2M	E52-IC50AY D=8 2M
E52-IC50A D=8 4M	E52-IC50AY D=8 4M
E52-IC50A D=8 NETU 1M	E52-IC50AY D=8 NETU 1M
E52-IC50A D=8 NETU 2M	E52-IC50AY D=8 NETU 2M
E52-IC50A D=8 NETU 4M	E52-IC50AY D=8 NETU 4M
E52-CA1D M6 1M	E52-CA1DY M6 1M
E52-CA1D M6 2M	E52-CA1DY M6 2M
E52-CA1D M6 4M	E52-CA1DY M6 4M
E52-CA1D M8 1M	E52-CA1DY M8 1M
E52-CA1D M8 2M	E52-CA1DY M8 2M
E52-CA1D M8 4M	E52-CA1DY M8 4M
E52-CA1D W1/4 1M	E52-CA1DY W1/4 1M
E52-CA1D W1/4 2M	E52-CA1DY W1/4 2M
E52-CA1D W1/4 4M	E52-CA1DY W1/4 4M
E52-CA1D-40 M6 1M	E52-CA1DY-40 M6 1M
E52-CA1D-40 M6 2M	E52-CA1DY-40 M6 2M
E52-CA1D-40 M6 4M	E52-CA1DY-40 M6 4M
E52-IC1D M6 1M	E52-IC1DY M6 1M
E52-IC1D M6 2M	E52-IC1DY M6 2M
E52-IC1D M6 4M	E52-IC1DY M6 4M
E52-IC1D M8 1M	E52-IC1DY M8 1M
E52-IC1D M8 2M	E52-IC1DY M8 2M

Product discontinuation	Recommended replacement
E52-IC1D M8 4M	E52-IC1DY M8 4M
E52-IC1D W1/4 1M	E52-IC1DY W1/4 1M
E52-IC1D W1/4 2M	E52-IC1DY W1/4 2M
E52-IC1D W1/4 4M	E52-IC1DY W1/4 4M
E52-P15A D=3.2 1M	E52-P15AY D=3.2 1M
E52-P15A D=3.2 2M	E52-P15AY D=3.2 2M
E52-P15A D=3.2 4M	E52-P15AY D=3.2 4M
E52-P15A D=3.2 8M	E52-P15AY D=3.2 8M
E52-P15A D=3.2 NETU 1M	E52-P15AY D=3.2 NETU 1M
E52-P15A D=3.2 NETU 2M	E52-P15AY D=3.2 NETU 2M
E52-P15A D=3.2 NETU 4M	E52-P15AY D=3.2 NETU 4M
E52-P15A D=3.2 NETU 8M	E52-P15AY D=3.2 NETU 8M
E52-P20A D=3.2 1M	E52-P20AY D=3.2 1M
E52-P20A D=3.2 2M	E52-P20AY D=3.2 2M
E52-P20A D=3.2 4M	E52-P20AY D=3.2 4M
E52-P20A D=3.2 8M	E52-P20AY D=3.2 8M
E52-P20A D=3.2 NETU 1M	E52-P20AY D=3.2 NETU 1M
E52-P20A D=3.2 NETU 2M	E52-P20AY D=3.2 NETU 2M
E52-P20A D=3.2 NETU 4M	E52-P20AY D=3.2 NETU 4M
E52-P20A D=3.2 NETU 8M	E52-P20AY D=3.2 NETU 8M
E52-P20A D=4.8 1M	E52-P20AY D=4.8 1M
E52-P20A D=4.8 2M	E52-P20AY D=4.8 2M
E52-P20A D=4.8 4M	E52-P20AY D=4.8 4M
E52-P20A D=4.8 8M	E52-P20AY D=4.8 8M
E52-P20A D=4.8 NETU 1M	E52-P20AY D=4.8 NETU 1M
E52-P20A D=4.8 NETU 2M	E52-P20AY D=4.8 NETU 2M
E52-P20A D=4.8 NETU 4M	E52-P20AY D=4.8 NETU 4M
E52-P20A D=4.8 NETU 8M	E52-P20AY D=4.8 NETU 8M
E52-P20A D=6.4 1M	E52-P20AY D=6.4 1M
E52-P20A D=6.4 2M	E52-P20AY D=6.4 2M
E52-P20A D=6.4 4M	E52-P20AY D=6.4 4M
E52-P20A D=6.4 8M	E52-P20AY D=6.4 8M
E52-P20A D=6.4 NETU 1M	E52-P20AY D=6.4 NETU 1M
E52-P20A D=6.4 NETU 2M	E52-P20AY D=6.4 NETU 2M
E52-P20A D=6.4 NETU 4M	E52-P20AY D=6.4 NETU 4M
E52-P20A D=6.4 NETU 8M	E52-P20AY D=6.4 NETU 8M
E52-P35A D=3.2 1M	E52-P35AY D=3.2 1M
E52-P35A D=3.2 2M	E52-P35AY D=3.2 2M
E52-P35A D=3.2 4M	E52-P35AY D=3.2 4M
E52-P35A D=3.2 8M	E52-P35AY D=3.2 8M
E52-P35A D=3.2 NETU 1M	E52-P35AY D=3.2 NETU 1M
E52-P35A D=3.2 NETU 2M	E52-P35AY D=3.2 NETU 2M
E52-P35A D=3.2 NETU 4M	E52-P35AY D=3.2 NETU 4M
E52-P35A D=3.2 NETU 8M	E52-P35AY D=3.2 NETU 8M
E52-P35A D=4.8 1M	E52-P35AY D=4.8 1M
E52-P35A D=4.8 2M	E52-P35AY D=4.8 2M
E52-P35A D=4.8 4M	E52-P35AY D=4.8 4M
E52-P35A D=4.8 8M	E52-P35AY D=4.8 8M
E52-P35A D=4.8 NETU 1M	E52-P35AY D=4.8 NETU 1M
E52-P35A D=4.8 NETU 2M	E52-P35AY D=4.8 NETU 2M
E52-P35A D=4.8 NETU 4M	E52-P35AY D=4.8 NETU 4M
E52-P35A D=4.8 NETU 8M	E52-P35AY D=4.8 NETU 8M
E52-P35A D=6.4 1M	E52-P35AY D=6.4 1M
E52-P35A D=6.4 2M	E52-P35AY D=6.4 2M
E52-P35A D=6.4 4M	E52-P35AY D=6.4 4M
E52-P35A D=6.4 8M	E52-P35AY D=6.4 8M
E52-P35A D=6.4 NETU 1M	E52-P35AY D=6.4 NETU 1M

Product discontinuation	Recommended replacement
E52-P35A D=6.4 NETU 2M	E52-P35AY D=6.4 NETU 2M
E52-P35A D=6.4 NETU 4M	E52-P35AY D=6.4 NETU 4M
E52-P35A D=6.4 NETU 8M	E52-P35AY D=6.4 NETU 8M
E52-P50A D=4.8 1M	E52-P50AY D=4.8 1M
E52-P50A D=4.8 2M	E52-P50AY D=4.8 2M
E52-P50A D=4.8 4M	E52-P50AY D=4.8 4M
E52-P50A D=4.8 8M	E52-P50AY D=4.8 8M
E52-P50A D=4.8 NETU 1M	E52-P50AY D=4.8 NETU 1M
E52-P50A D=4.8 NETU 2M	E52-P50AY D=4.8 NETU 2M
E52-P50A D=4.8 NETU 4M	E52-P50AY D=4.8 NETU 4M
E52-P50A D=4.8 NETU 8M	E52-P50AY D=4.8 NETU 8M
E52-P50A D=6.4 1M	E52-P50AY D=6.4 1M
E52-P50A D=6.4 2M	E52-P50AY D=6.4 2M
E52-P50A D=6.4 4M	E52-P50AY D=6.4 4M
E52-P50A D=6.4 8M	E52-P50AY D=6.4 8M
E52-P50A D=6.4 NETU 1M	E52-P50AY D=6.4 NETU 1M
E52-P50A D=6.4 NETU 2M	E52-P50AY D=6.4 NETU 2M
E52-P50A D=6.4 NETU 4M	E52-P50AY D=6.4 NETU 4M
E52-P50A D=6.4 NETU 8M	E52-P50AY D=6.4 NETU 8M
E52-P6D 1M	E52-P6DY 1M
E52-P6D 2M	E52-P6DY 2M
E52-P6D 4M	E52-P6DY 4M
E52-CA10A D=1 1M	E52-CA10AY D=1 1M
E52-CA10A D=1.6 1M	E52-CA10AY D=1.6 1M
E52-CA10A D=3.2 2M	E52-CA10AY D=3.2 2M
E52-CA10A D=4.8 NETU 1M	E52-CA10AY D=4.8 NETU 1M
E52-CA15A D=4.8 2M	E52-CA15AY D=4.8 2M
E52-CA15A D=4.8 NETU 1M	E52-CA15AY D=4.8 NETU 1M
E52-CA25A D=3.2 NETU 2M	E52-CA25AY D=3.2 NETU 2M
E52-CA50A D=1.6 2M	E52-CA50AY D=1.6 2M
E52-CA5A D=3.2 1M	E52-CA5AY D=3.2 1M
E52-CA5A D=3.2 2M	E52-CA5AY D=3.2 2M
E52-CA1D M6 3M	E52-CA1DY M6 3M
E52-CA1D W1/4 0.5M	E52-CA1DY W1/4 0.5M
E52-CA1GT 0.5M	E52-CA1GTY 0.5M
E52-CA1GT 1M	E52-CA1GTY 1M
E52-CA1GT 2M	E52-CA1GTY 2M
E52-CA1GT 3M	E52-CA1GTY 3M
E52-CA1GT 4M	E52-CA1GTY 4M
E52-CA1GT 5M	E52-CA1GTY 5M
E52-CA1GT-14 1M	E52-CA1GTY-14 1M
E52-CA1GT-14 2M	E52-CA1GTY-14 2M
E52-P35A D=3.2 10M	E52-P35AY D=3.2 10M
E52-P50A D=3.2 2M	E52-P50AY D=3.2 2M
E52-IC1GT 1M	E52-IC1GTY 1M
E52-IC1GT 2M	E52-IC1GTY 2M
E52-CA100A D=1.6 NETU 4M	No recommended replacement *1
E52-CA100A D=3.2 3M	No recommended replacement *1
E52-CA100A D=3.2 NETU 1M	No recommended replacement *1
E52-CA100A D=3.2 NETU 4M	No recommended replacement *1
E52-CA10A D=1 NETU 1M	No recommended replacement *1
E52-CA10A D=1.6 2M	No recommended replacement *1
E52-CA110A D=8 8M	No recommended replacement *1
E52-CA11A D=4.8 2M	No recommended replacement *1
E52-CA120A D=6.4 NETU 2M	No recommended replacement *1
E52-CA12A D=4.8 2M	No recommended replacement *1
E52-CA12A D=8 1M	No recommended replacement *1

Product discontinuation	Recommended replacement
E52-CA130A D=3.2 NETU 1M	No recommended replacement *1
E52-CA13A D=1 NETU 1M	No recommended replacement *1
E52-CA13A D=4.8 3M	No recommended replacement *1
E52-CA143A D=3.2 NETU 1M	No recommended replacement *1
E52-CA150A D=3.2 1M	No recommended replacement *1
E52-CA150A D=3.2 NETU 1M	No recommended replacement *1
E52-CA15A D=1 100M	No recommended replacement *1
E52-CA15A D=1.6 3M	No recommended replacement *1
E52-CA15A D=1.6 NETU 3M	No recommended replacement *1
E52-CA15A D=4.8 3M	No recommended replacement *1
E52-CA15A D=4.8 4M	No recommended replacement *1
E52-CA15A D=4.8 NETU 4M	No recommended replacement *1
E52-CA17A D=1 NETU 1M	No recommended replacement *1
E52-CA17A D=3.2 8M	No recommended replacement *1
E52-CA180A D=3.2 NETU 1M	No recommended replacement *1
E52-CA200A D=3.2 NETU 1M	No recommended replacement *1
E52-CA20A D=1.6 6M	No recommended replacement *1
E52-CA22A D=1 NETU 1M	No recommended replacement *1
E52-CA230A D=3.2 1M	No recommended replacement *1
E52-CA230A D=3.2 NETU 1M	No recommended replacement *1
E52-CA23A D=8 8M	No recommended replacement *1
E52-CA24A D=4.8 2M	No recommended replacement *1
E52-CA250A D=3.2 1M	No recommended replacement *1
E52-CA250A D=3.2 NETU 1M	No recommended replacement *1
E52-CA25A D=12M SUS316	No recommended replacement *1
E52-CA25A D=6.4 NETU 3M	No recommended replacement *1
E52-CA26A D=1.6 2M	No recommended replacement *1
E52-CA27A D=8 8M	No recommended replacement *1
E52-CA28A D=1.6 NETU 2M	No recommended replacement *1
E52-CA300A D=1.6 8M	No recommended replacement *1
E52-CA30A D=3.2 NETU 4M	No recommended replacement *1
E52-CA32A D=8 8M	No recommended replacement *1
E52-CA3A D=1.6 1M	No recommended replacement *1
E52-CA40A D=3.2 NETU 1M	No recommended replacement *1
E52-CA45A D=8 8M	No recommended replacement *1
E52-CA4A D=1 NETU 1M	No recommended replacement *1
E52-CA4A D=1.6 1M	No recommended replacement *1
E52-CA50A D=1.6 4M	No recommended replacement *1
E52-CA52A D=8 8M	No recommended replacement *1
E52-CA54A D=4.8 8M	No recommended replacement *1
E52-CA55A D=8 8M	No recommended replacement *1
E52-CA5A D=1 1M SUS 316	No recommended replacement *1
E52-CA5A D=1.6 1M	No recommended replacement *1
E52-CA5A D=1.6 2M	No recommended replacement *1
E52-CA5A D=3.2 4M	No recommended replacement *1
E52-CA6A D=1.6 2M	No recommended replacement *1
E52-CA80A D=3.2 3M	No recommended replacement *1
E52-CA82A D=3.2 NETU 1M	No recommended replacement *1
E52-CA8A D=1.6 2M	No recommended replacement *1
E52-CA94A D=4.8 15M	No recommended replacement *1
E52-CA95A D=8 8M	No recommended replacement *1
E52-CA9A D=4.8 2M	No recommended replacement *1
E52-IC127A D=6.4 2M	No recommended replacement *1
E52-IC150A D=3.2 2M	No recommended replacement *1
E52-IC15A D=1 8M	No recommended replacement *1
E52-IC15A D=3.2 3M	No recommended replacement *1
E52-IC15A D=3.2 8M	No recommended replacement *1

Product discontinuation	Recommended replacement
E52-IC15A D=3.2 NETU 8M	No recommended replacement *1
E52-IC20A D=1 8M	No recommended replacement *1
E52-IC20A D=1 NETU 8M	No recommended replacement *1
E52-IC20A D=1.6 8M	No recommended replacement *1
E52-IC20A D=1.6 NETU 8M	No recommended replacement *1
E52-IC20A D=3.2 8M	No recommended replacement *1
E52-IC20A D=3.2 NETU 8M	No recommended replacement *1
E52-IC20A D=4.8 8M	No recommended replacement *1
E52-IC20A D=4.8 NETU 8M	No recommended replacement *1
E52-IC20A D=6.4 8M	No recommended replacement *1
E52-IC20A D=6.4 NETU 8M	No recommended replacement *1
E52-IC20A D=8 8M	No recommended replacement *1
E52-IC20A D=8 NETU 8M	No recommended replacement *1
E52-IC35A D=1 8M	No recommended replacement *1
E52-IC35A D=1 NETU 8M	No recommended replacement *1
E52-IC35A D=1.6 8M	No recommended replacement *1
E52-IC35A D=1.6 NETU 8M	No recommended replacement *1
E52-IC35A D=3.2 8M	No recommended replacement *1
E52-IC35A D=3.2 NETU 8M	No recommended replacement *1
E52-IC35A D=4.8 8M	No recommended replacement *1
E52-IC35A D=4.8 NETU 8M	No recommended replacement *1
E52-IC35A D=6.4 8M	No recommended replacement *1
E52-IC35A D=6.4 NETU 8M	No recommended replacement *1
E52-IC35A D=8 8M	No recommended replacement *1
E52-IC35A D=8 NETU 8M	No recommended replacement *1
E52-IC50A D=3.2 8M	No recommended replacement *1
E52-IC50A D=3.2 NETU 8M	No recommended replacement *1
E52-IC50A D=4.8 8M	No recommended replacement *1
E52-IC50A D=4.8 NETU 8M	No recommended replacement *1
E52-CA1D M6 0.5M	No recommended replacement *1
E52-CA1D M6 5M	No recommended replacement *1
E52-CA1D M6 6M	No recommended replacement *1
E52-CA1D M6 8M	No recommended replacement *1
E52-CA1D M8 8M	No recommended replacement *1
E52-CA1D-40 M8 4M	No recommended replacement *1
E52-CA1D-40 W1/4 1M	No recommended replacement *1
E52-CA1GT 10M	No recommended replacement *1
E52-CA1GT 6M	No recommended replacement *1
E52-CA1GT 7M	No recommended replacement *1
E52-CA1GT 8M	No recommended replacement *1
E52-CA1GT-14 3M	No recommended replacement *1
E52-CA1GT-14 4M	No recommended replacement *1
E52-P100A D=3.2 2M	No recommended replacement *1
E52-P100A D=3.2 NETU 8M	No recommended replacement *1
E52-P10A D=3.2 4M	No recommended replacement *1
E52-P10A D=3.2 NETU 2M	No recommended replacement *1
E52-P10A D=4.8 4M	No recommended replacement *1
E52-P10A D=4.8 NETU 1M	No recommended replacement *1
E52-P129A D=6.4 2M	No recommended replacement *1
E52-P12A D=3.2 NETU 1M	No recommended replacement *1
E52-P15A D=3.2 10M	No recommended replacement *1
E52-P15A D=4.8 NETU 2M	No recommended replacement *1
E52-P20A D=4.8 6M	No recommended replacement *1
E52-P20A D=6.4 10M	No recommended replacement *1
E52-P20A D=6.4 20M	No recommended replacement *1
E52-P25A D=6.4 2M	No recommended replacement *1
E52-P30A D=3.2 2M	No recommended replacement *1

Product discontinuation	Recommended replacement
E52-P30A D=3.2 4M	No recommended replacement *1
E52-P38A D=6.4 2M	No recommended replacement *1
E52-P41A D=6.4 2M	No recommended replacement *1
E52-P50A D=3.2 NETU 8M	No recommended replacement *1
E52-P75A D=3.2 2M	No recommended replacement *1
E52-P7A D=3.2 8M	No recommended replacement *1
E52-P7A D=3.2 NETU 4M	No recommended replacement *1
E52-P7A D=3.2 NETU 8M	No recommended replacement *1
E52-P6D 5M	No recommended replacement *1
E52-P6D 6M	No recommended replacement *1

Note *1: Products of a different protective tubing length and lead wire length from the recommended replacement. Omron is able to produce these, so please inquire the price.

Body Color and Material

Product discontinuation Model E52-CA□A E52-IC□A	Recommended replacement Model E52-CA□AY E52-IC□AY
① Y type crimping terminal sleeve color [+] Red [-] White ② Sheath material SUS316	① Y type crimping terminal sleeve color [+] Clear [-] Clear ② Sheath material ASTM316L

Product discontinuation Model E52-CA1D Model E52-IC1D Model E52-CA1D-40	Recommended replacement Model E52-CA1DY Model E52-IC1DY Model E52-CA1DY-40
① Y type crimping terminal sleeve color [+] Red [-] White	① Y type crimping terminal sleeve color [+] Red [-] Blue

Product discontinuation Model E52-CA1GT Model E52-IC1GT Model E52-CA1GT-14	Recommended replacement Model E52-CA1GTY Model E52-IC1GTY Model E52-CA1GTY-14
① Y type crimping terminal sleeve color [+] Red [-] White ② Temperature sensing part round terminal material Aluminum alloy	① Y type crimping terminal sleeve color [+] Clear [-] Clear ② Temperature sensing part round terminal material Nickel

Product discontinuation Model E52-P□A	Recommended replacement Model E52-P□AY
① Identifying tube color [A] White [B] White [B] White	① Identifying tube color [A] Red [B] White [B] White

Dimensions (Unit: mm)

Product discontinuation
Model E52-CA□A Model E52-IC□A

① **Size of Y type crimping terminal:**
 For M4 (Shape corresponding to M4 screw terminal block and M3.5 screw terminal block.)

② **The location of the polarity marked tube:**
 The sleeve part of the Y type crimping terminal

③ **The sleeve size of the sheath:**

Sheath diameter D (mm)	1.0	1.6	3.2	4.8	6.4	8.0
Sleeve diameter d (mm)	7	7	7	7	10	10
Sleeve length ℓ (mm)	40	40	40	40	45	45

④ **Sleeve nose shape:** Cone-shaped

⑤ **The external dimensions of the compensating conductor:**
 3.2mm×5.0mm (for standard) 2.9mm×4.6mm (for heat resistive)

⑥ **The sticking location of the name plate (product label):**
 The sleeve surface of the sheath

⑦ **The element part of compensating lead wire (for heat resistance):**
 With no clear tube

Recommended replacement
Model E52-CA□AY Model E52-IC□AY

① **Size of Y type crimping terminal:**
 For M3.5 (Shape corresponding to M3 screw terminal block and M3.5 screw terminal block.)

② **The location of the polarity marked tube:**
 The element part of compensating lead wire

③ **The sleeve size of the sheath:**

Sheath diameter D (mm)	1.0	1.6	3.2	4.8	6.4	8.0
Sleeve diameter d (mm)	8	8	8	8	11	11
Sleeve length ℓ (mm)	55	55	55	55	55	55

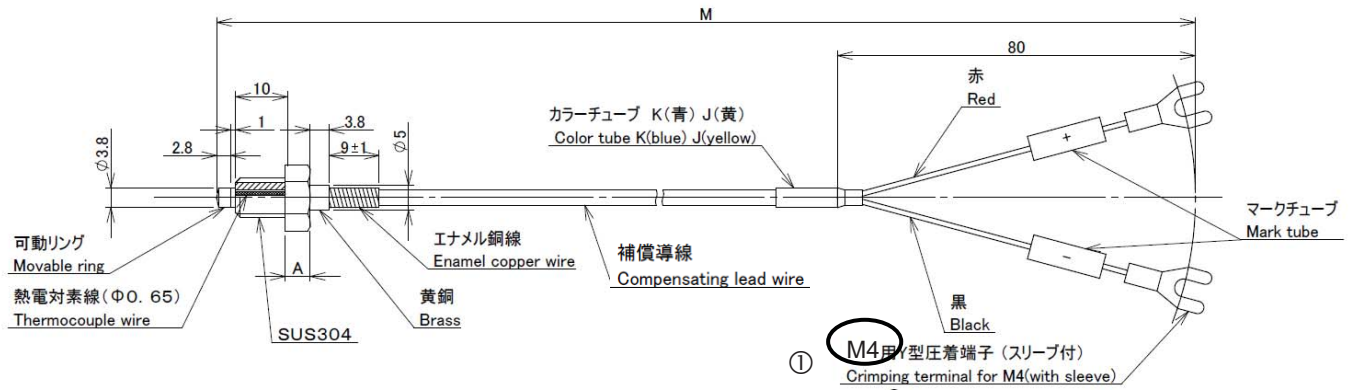
④ **Sleeve nose shape:** Sphere-shaped

⑤ **The external dimensions of the compensating conductor:**
 2.4mm×4.1mm (for standard) 2.8mm×4.6mm (for heat resistance)

⑥ **The sticking location of the name plate (product label):**
 The shrinkable tube part of compensating lead wire termination

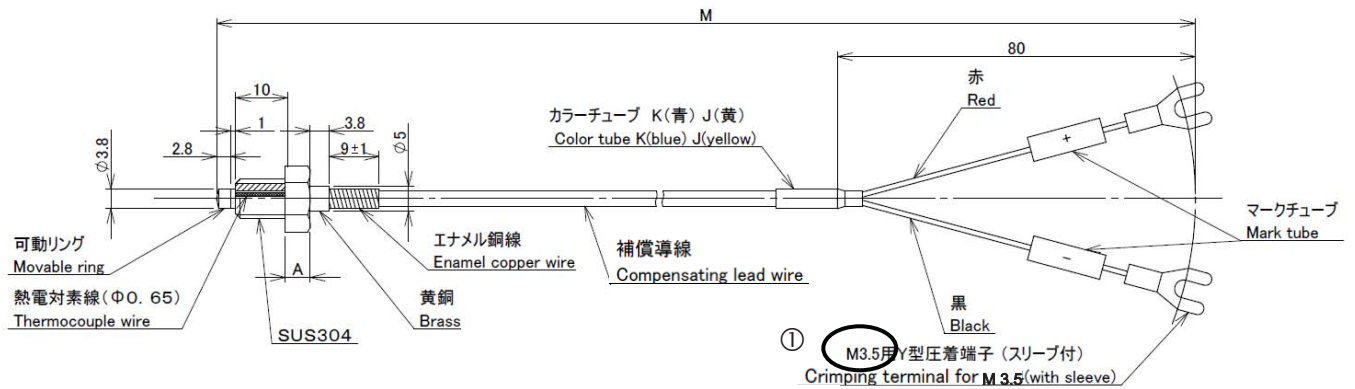
⑦ **The element part of compensating lead wire (for heat resistive):**
 With a clear tube

Product discontinuation
Model E52-CA1D Model E52-IC1D Model E52-CA1D-40

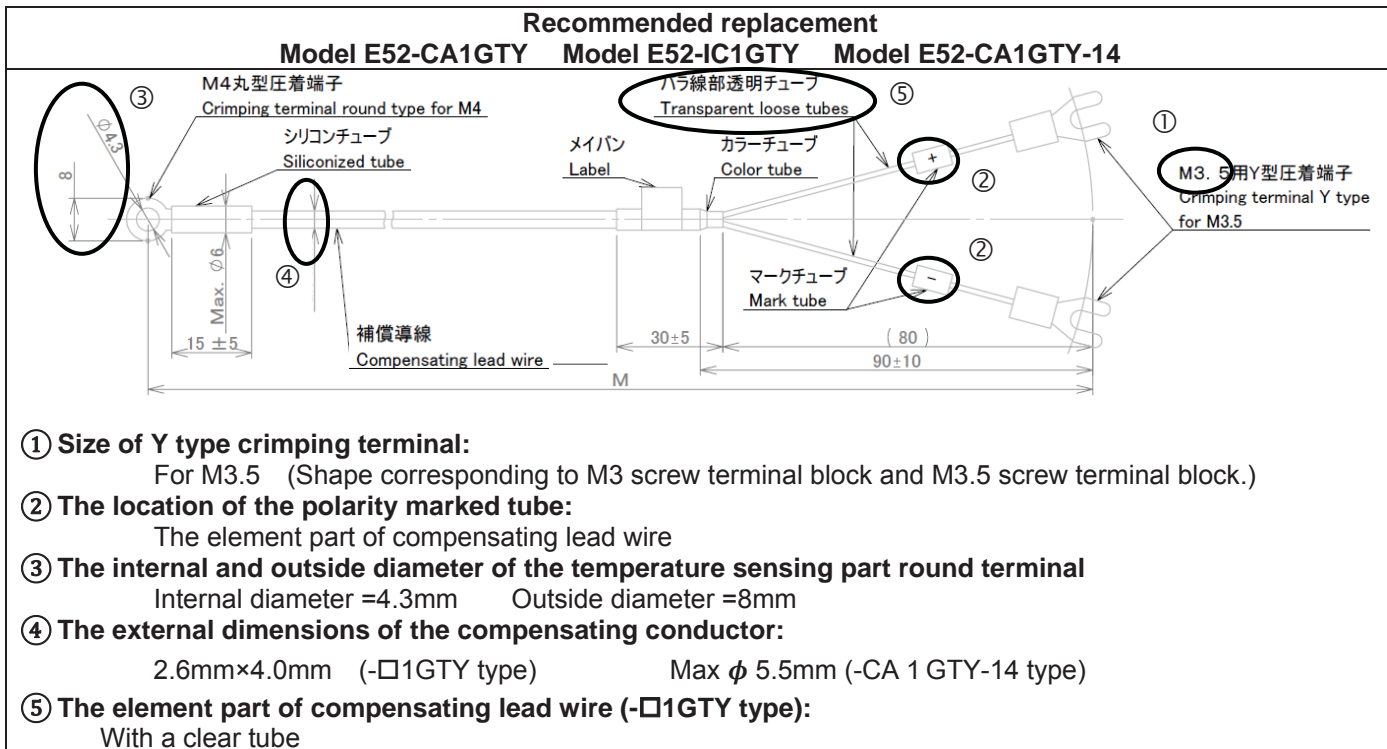
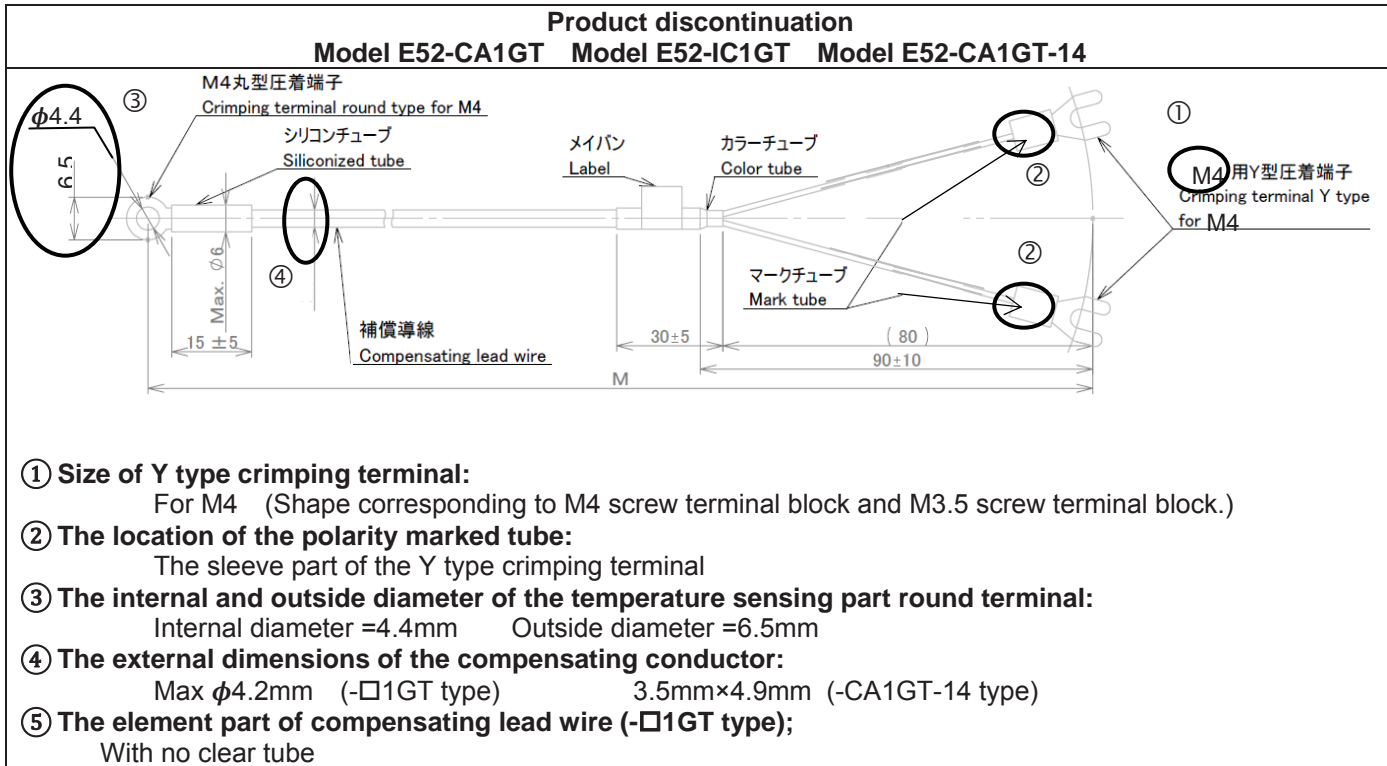


① **Size of Y type crimping terminal**
 For M4 (Shape corresponding to M4 screw terminal block and M3.5 screw terminal block.)

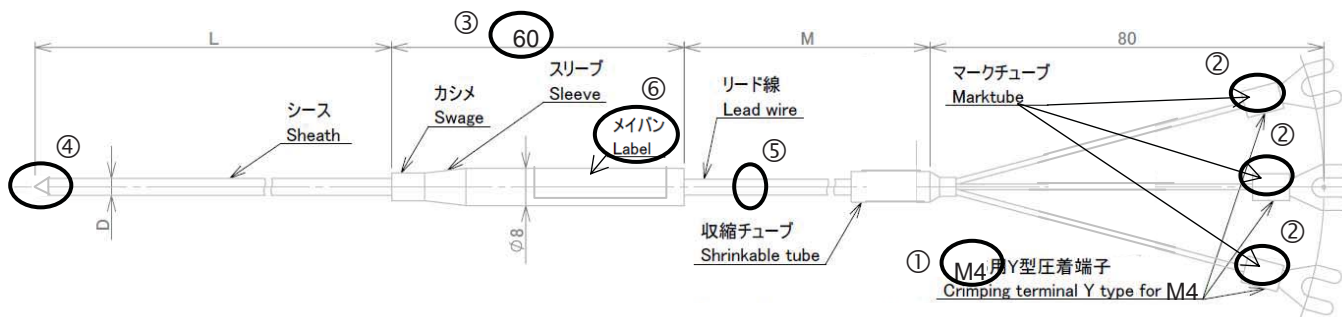
Recommended replacement
Model E52-CA1DY Model E52-IC1DY Model E52-CA1DY-40



① **Size of Y type crimping terminal**
 For M3.5 (Shape corresponding to M3 screw terminal block and M3.5 screw terminal block.)

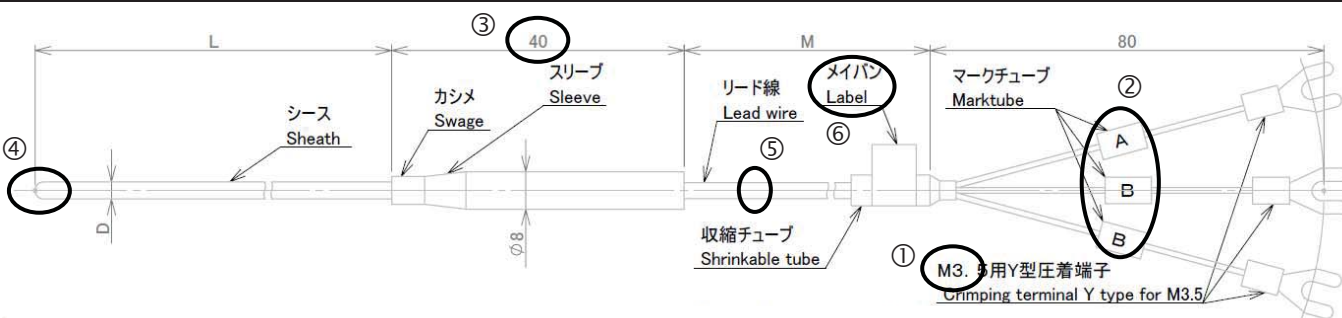


**Product discontinuation
Model E52-P□A**



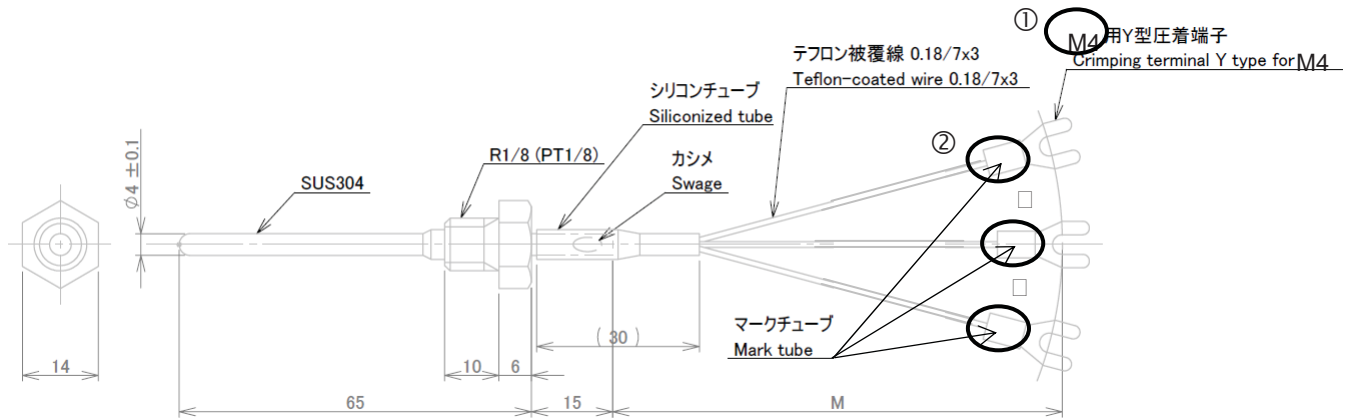
- ① **Size of Y type crimping terminal:**
For M4 (Shape corresponding to M4 screw terminal block and M3.5 screw terminal block.)
- ② **The location of the identification marking tube:**
The sleeve part of the Y type crimping terminal
- ③ **The sleeve length of the sheath:**
L = 60mm
- ④ **Sleeve nose shape:** Cone-shaped
- ⑤ **The external dimensions of the lead wire:**
Approx. $\phi 5.0\text{mm}$ (for heat resistive)
- ⑥ **The sticking location of the name plate (product label):**
The sleeve surface of the sheath

**Recommended replacement
Model E52-P□AY**



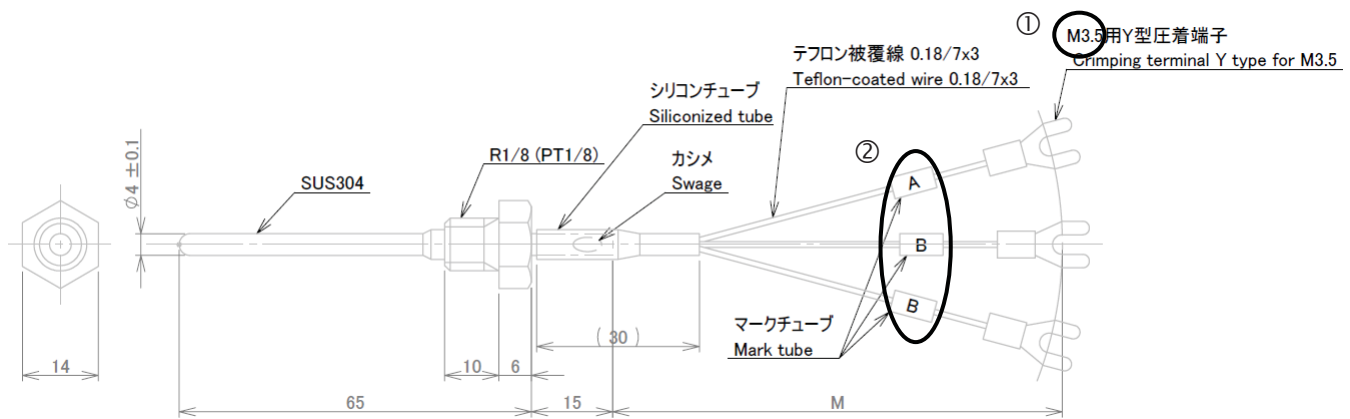
- ① **Size of Y type crimping terminal:**
For M3.5 (Shape corresponding to M3 screw terminal block and M3.5 screw terminal block.)
- ② **The location of the identification marking tube:**
The element part of lead wire
- ③ **The sleeve length of the sheath:**
L = 40mm
- ④ **Sleeve nose shape:** Sphere-shaped
- ⑤ **The external dimensions of the lead wire:**
Approx. $\phi 4.0\text{mm}$ (for heat resistive)
- ⑥ **The sticking location of the name plate (product label):**
The shrinkable tube part of lead wire termination

**Product discontinuation
Model E52-P6D**



- ① **Size of Y type crimping terminal:**
For M4 (Shape corresponding to M4 screw terminal block and M3.5 screw terminal block.)
- ② **The location of the identification marking tube:**
The sleeve part of the Y type crimping terminal

**Recommended replacement
Model E52-P6DY**



- ① **Size of Y type crimping terminal:**
For M3.5 (Shape corresponding to M3 screw terminal block and M3.5 screw terminal block.)
- ② **The location of the identification marking tube:**
The element part of lead wire

Characteristics

There are no change points of the characteristics except for following items.

Item	Product discontinuation Model E52-CA1GT-14	Recommended replacement Model E52-CA1GT-14
Measurement temperature range	0 to 300°C	0 to 200°C

Item	Product discontinuation Model E52-P□A	Recommended replacement Model E52-P□AY
Measurement temperature range	-200 to 450°C	-196 to 450°C