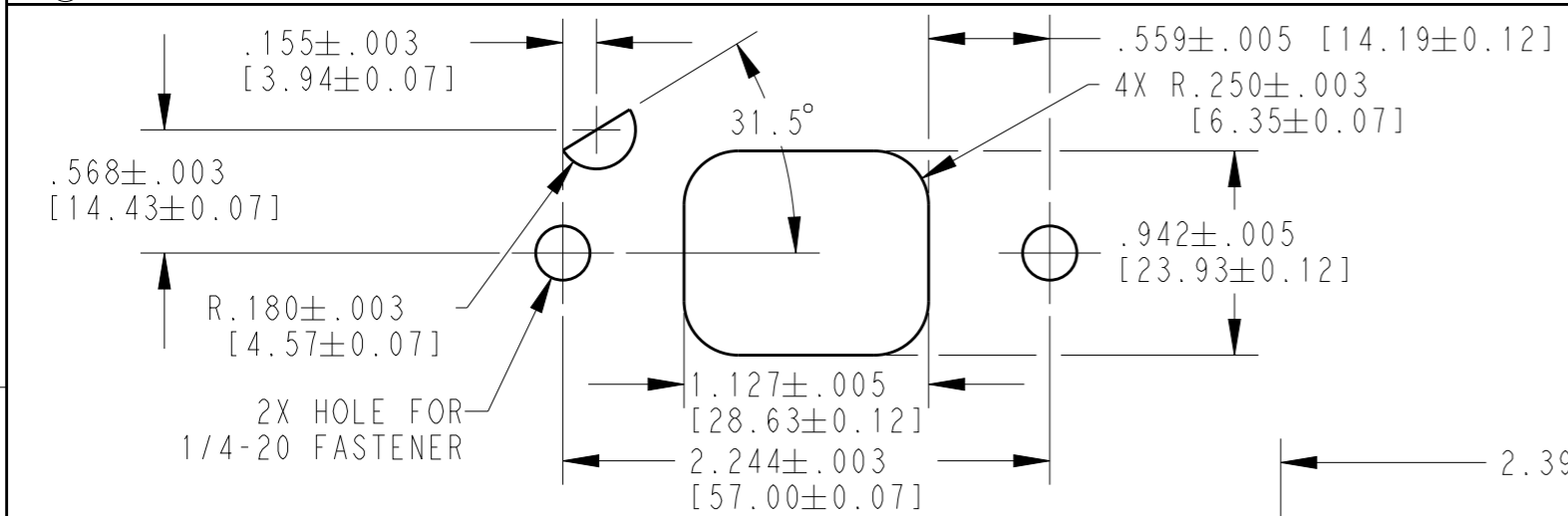


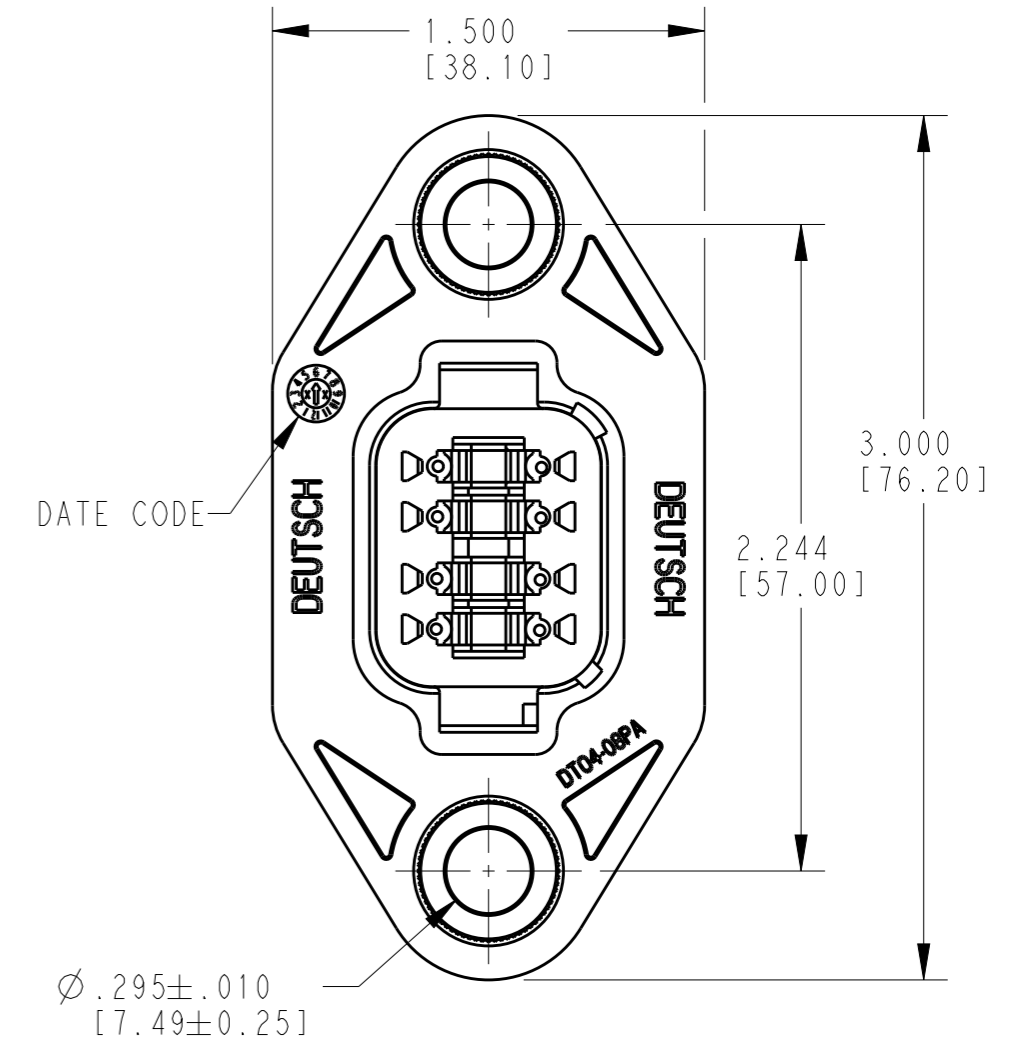
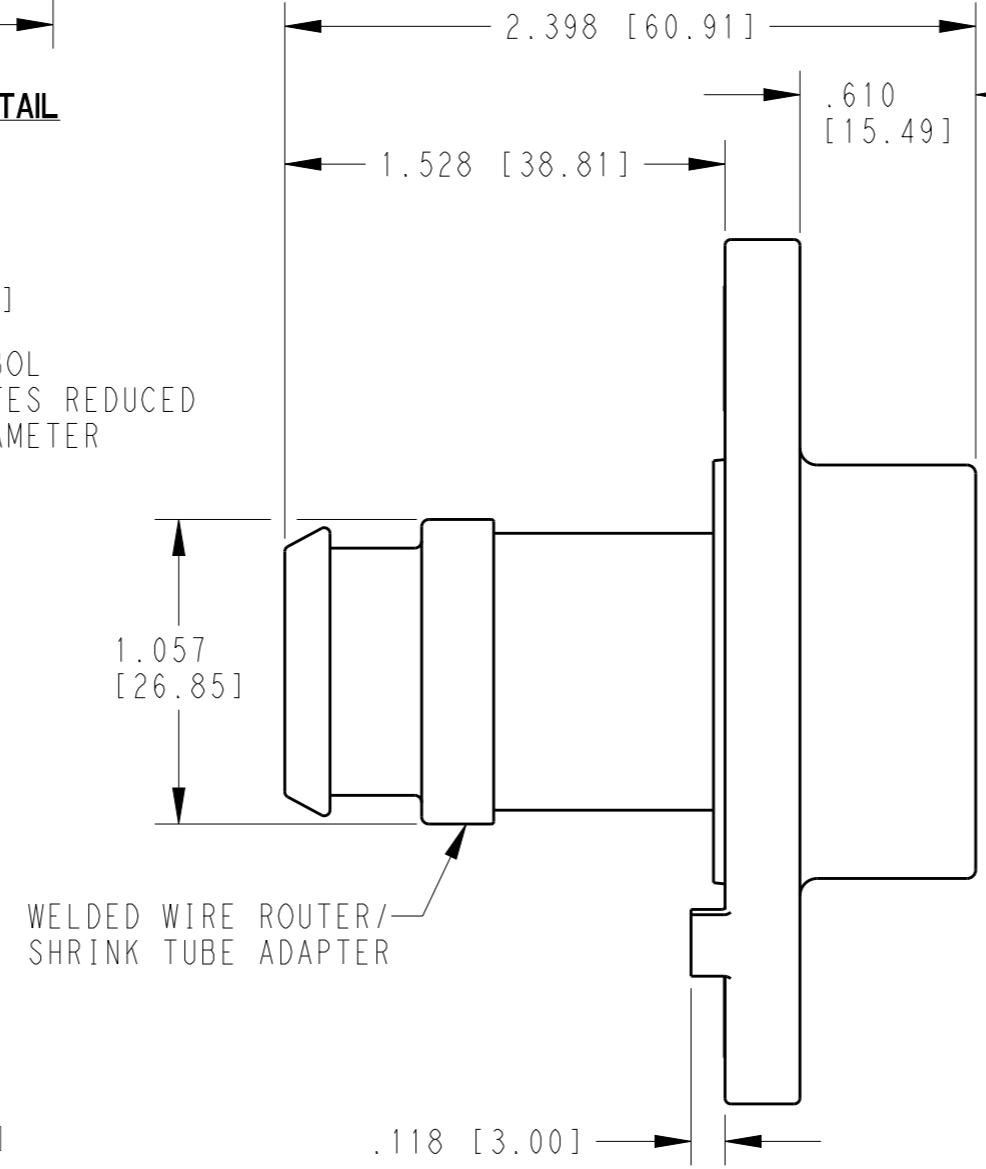
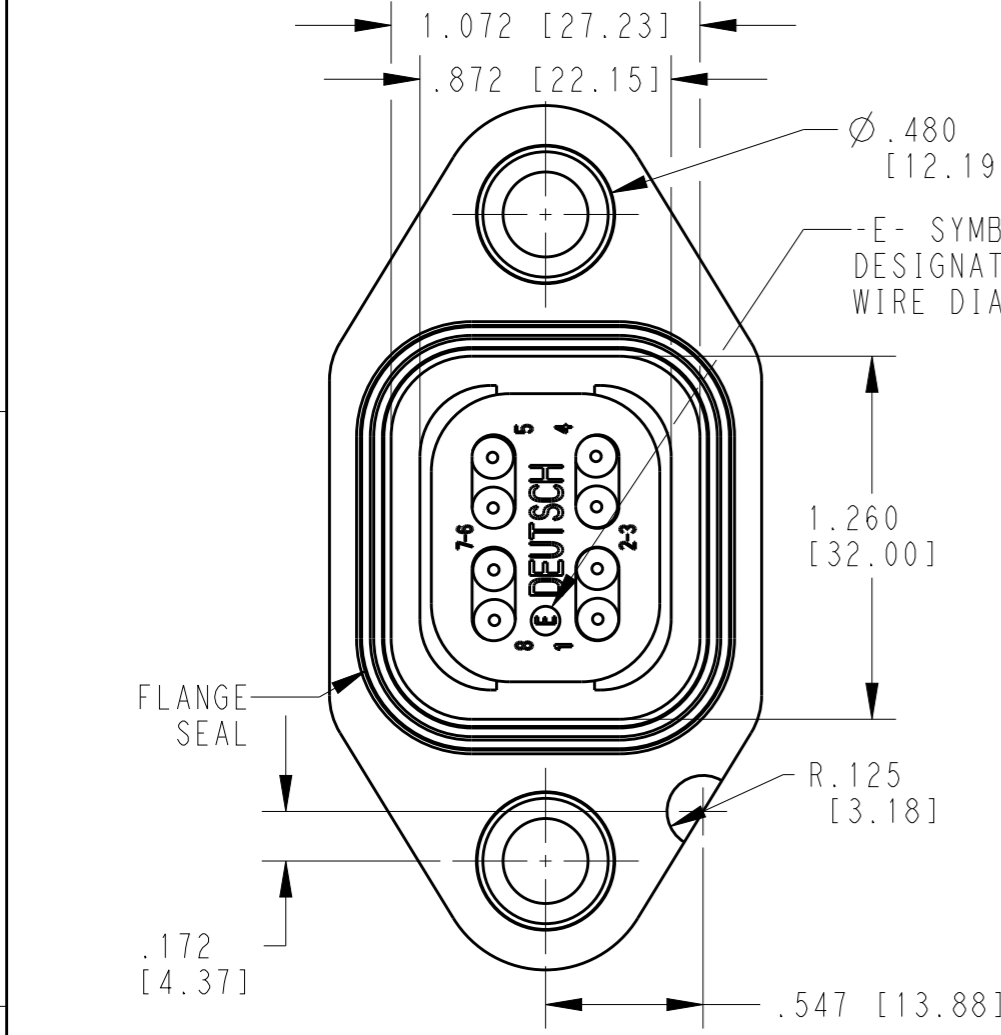
THIS DRAWING IS UNPUBLISHED
 RELEASED FOR PUBLICATION 2014
 © COPYRIGHT 2001 BY TE CONNECTIVITY ALL RIGHTS RESERVED.

LOC		DIST		REVISIONS		
P	LTR	DESCRIPTION	DATE	DWN	APVD	
	A	REVISED PER E.O. P18682	20SEP2004	RM	RDR	
	B	REVISED PER E.O. P20338	05NOV2009	RM	RDR	
	C	REVISED PER E.O. P20483	28MAY2010	RM	RDR	
	CI	REVISED PER ECO-14-016535	31OCT2014	JA	DM	



CONTACT SIZE	MIN. INSUL O.D.	MAX. INSUL O.D.	WIRE RANGE [mm ²]	WIRE RANGE REF. ONLY
16	.053 [1.35]	.120 [3.05]	14-20 AWG [2.0-0.5]	

RECOMMENDED MOUNTING DETAIL



3 MATERIAL: SHELL: NYLON 6/6 15% GF; SEALS: SILICONE.

2. THIS RECEPTACLE MATES WITH DT06-08SA-XXXX PLUG. (XXXX = ALL MODIFICATIONS). CONSULT FACTORY FOR ALL MODIFICATIONS.

1 FOR CONTACTS AND WIRE PERFORMANCE AND APPLICATION CHARACTERISTICS, SEE ENVELOPE DRAWINGS 0425-015-0000 AND 0425-017-0000.

NOTES:

THIS DRAWING IS A CONTROLLED DOCUMENT.		DWN 04JUN2001 TESFU YOHANNES		TE Connectivity	
DIMENSIONS: INCHES [mm]		CHK 31OCT2014 RUSSELL MESSENGER			
TOLERANCES UNLESS OTHERWISE SPECIFIED:		APVD 31OCT2014 DAVID MEYER		NAME RECEPTACLE 8 WAY FLANGED CONNECTOR -CL07 MOD DT SERIES	
0 PLC ± 1 PLC ± 2 PLC ± 3 PLC ±.025 [0.64] 4 PLC ± ANGLES ±0°30'0"		PRODUCT SPEC 1		SIZE A3	
MATERIAL 3		APPLICATION SPEC 1		CAGE CODE 4AFU8	
FINISH		WEIGHT 44.95g		DRAWING NO DT04-08PA-CL07	
		Customer Drawing		RESTRICTED TO GEN	
		SCALE 3:2		SHEET 1 OF 1	
				REV C1	