

6

5

4

3

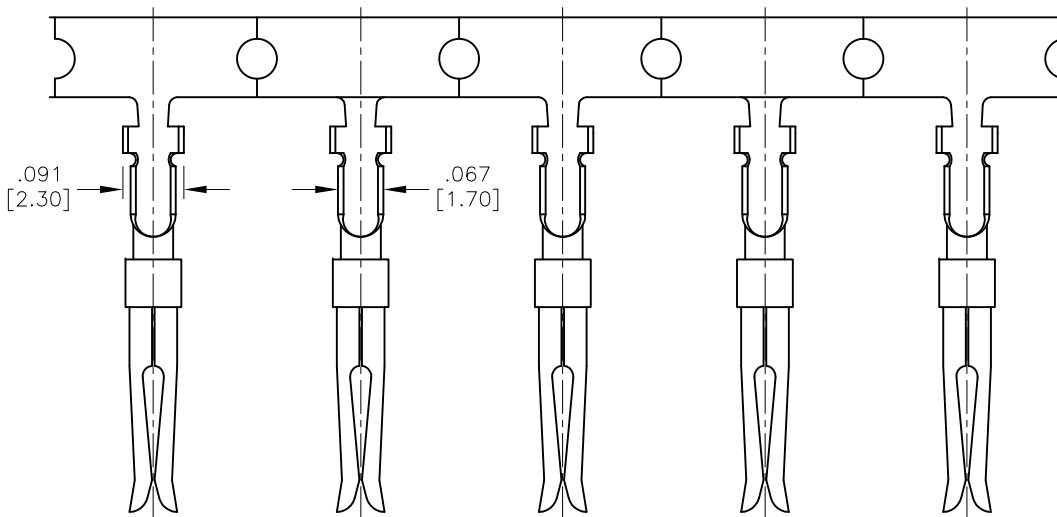
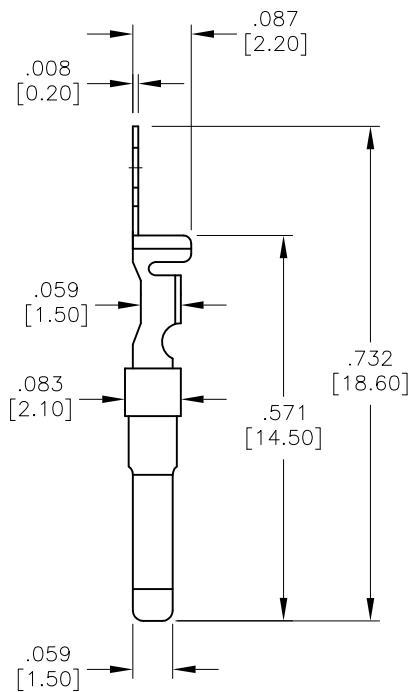
2

1

APPROVED: _____

DATE: _____ TITLE: _____

| Rev | AWO # | Description | Date | Appr |
|-----|-------|-------------|--------|------|
| - | | RELEASED | 3/7/19 | |



SPECIFICATIONS:

- Material:
- Contact: Phosphor Bronze
- Plating:
- Gold flash over Nickel underplate overall
- Mechanical:
- Recommended wire range: 24-28 AWG
- Packaging:
- R = Tape and Reel
- Environmental:
- Lead free, RoHS compliant



| | | | |
|---|--------|--------|--------|
| UNLESS OTHERWISE SPECIFIED ALL DIMENSIONS ARE INCHES [MM] TOLERANCES: EXCEPT AS NOTED | | | |
| INCHES | | HOLES | |
| .X | ± .10 | Ø.X | ± .10 |
| .XX | ± .020 | Ø.XX | ± .015 |
| .XXX | ± .015 | Ø.XXX | ± .010 |
| APPROVALS | | DATE | |
| DRAWN | AY | 3/7/19 | |
| CHECKED | CK | 3/7/19 | |
| APPROVED | | | |

ADAM TECH INTERCONNECTS
 909 Rahway Avenue,
 Union, NJ 07083
 Phone: 908-687-5000
 Fax: 908-687-5710

| | | | |
|---|-----------------------|--------------|--|
| TITLE: D-SUB SOCKET CONTACT, 24-28 AWG GOLD FLASH PLATED | | | |
| SIZE X | PART NO. DCS-01A-R | REV. - | |
| REF: S00298T | SCALE: NTS | SHEET 1 OF 1 | |

6

5

4

3

2

1