



**ANATECH ELECTRONICS INC**  
RF & Microwave Filters & Products

## 800 MHz LC Band Pass Filter

Part Number: AE800B6191



### Electrical Specifications

**Center Frequency:** 800 MHz  
**Bandwidth:** 400 MHz Min.  
**Insertion Loss:** 3.0dB Max.  
**Return Loss:** 14dB Min.  
**Rejection:**  $\geq 45\text{dB}$  @ 350 MHz  
**Rejection2:**  $\geq 45\text{dB}$  @ 1300 MHz

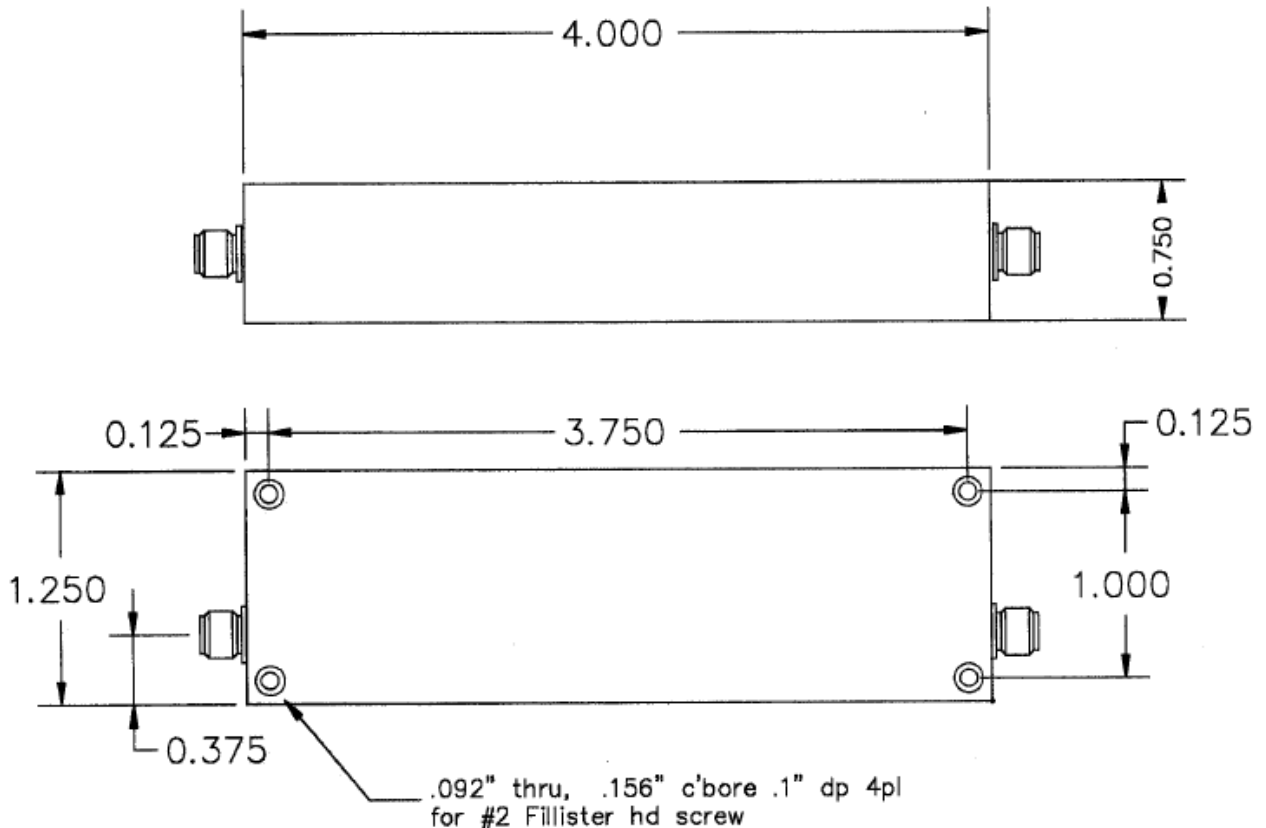
### Mechanical

**Mounting Method:** Through Holes  
**Connector Type:** SMA(F)  
**Dimensions:** 4.0" X 1.25" x 0.75" .

### Environmental

**Operating Temperature:** -25°C to +70°C  
**Storage Temperature:** -40°C to +90°C  
**Shock:** 10 G. 11ms  
**Vibration:** 10 G. 5 to 200Hz

### Outline Drawing:





**ANATECH ELECTRONICS INC**  
RF & Microwave Filters & Products

# 800 MHz LC Band Pass Filter

Part Number: AE800B6191



## Response Plot:

