



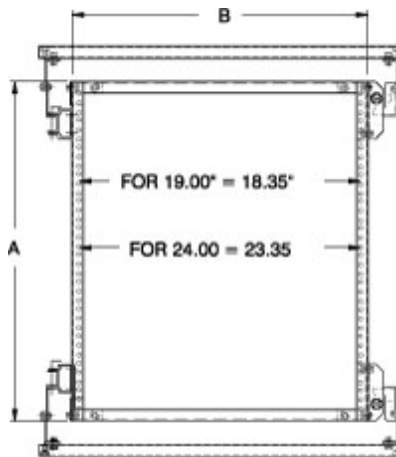
Quality Products. Service Excellence.

Swing Frame S2CSWF Series

For use with Series 2000 Enclosures



- Available in 19" and 24" widths.
- Variable depth feature allows front to rear adjustment.
- Installs with either left or right hinging.
- Mounts onto Rail Support Kits (not included).
- Clip nuts required for mounting to punched rails.
- Finished in textured black.



| Part No. | Fits Console Unit | Fits Console Size | Panel | | | |
|----------|-------------------|-------------------|-------|--------|-------|-------|
| | | | Width | Height | A | B |
| 2CSFT19 | Turrets/Terminal | 24,36,48,60 | 19" | 8U | 15.75 | 19.28 |
| 2CSFT24 | Turrets/Terminal | 36,48,60 | 24" | 8U | 15.75 | 24.28 |
| 2CSFB19 | Bases | 24,36,48,60 | 19" | 12U | 22.09 | 19.28 |
| 2CSFB24 | Bases | 36,48,60 | 24" | 12U | 22.09 | 24.28 |

Data subject to change without notice

© 2019. Hammond Manufacturing Ltd. All rights reserved.