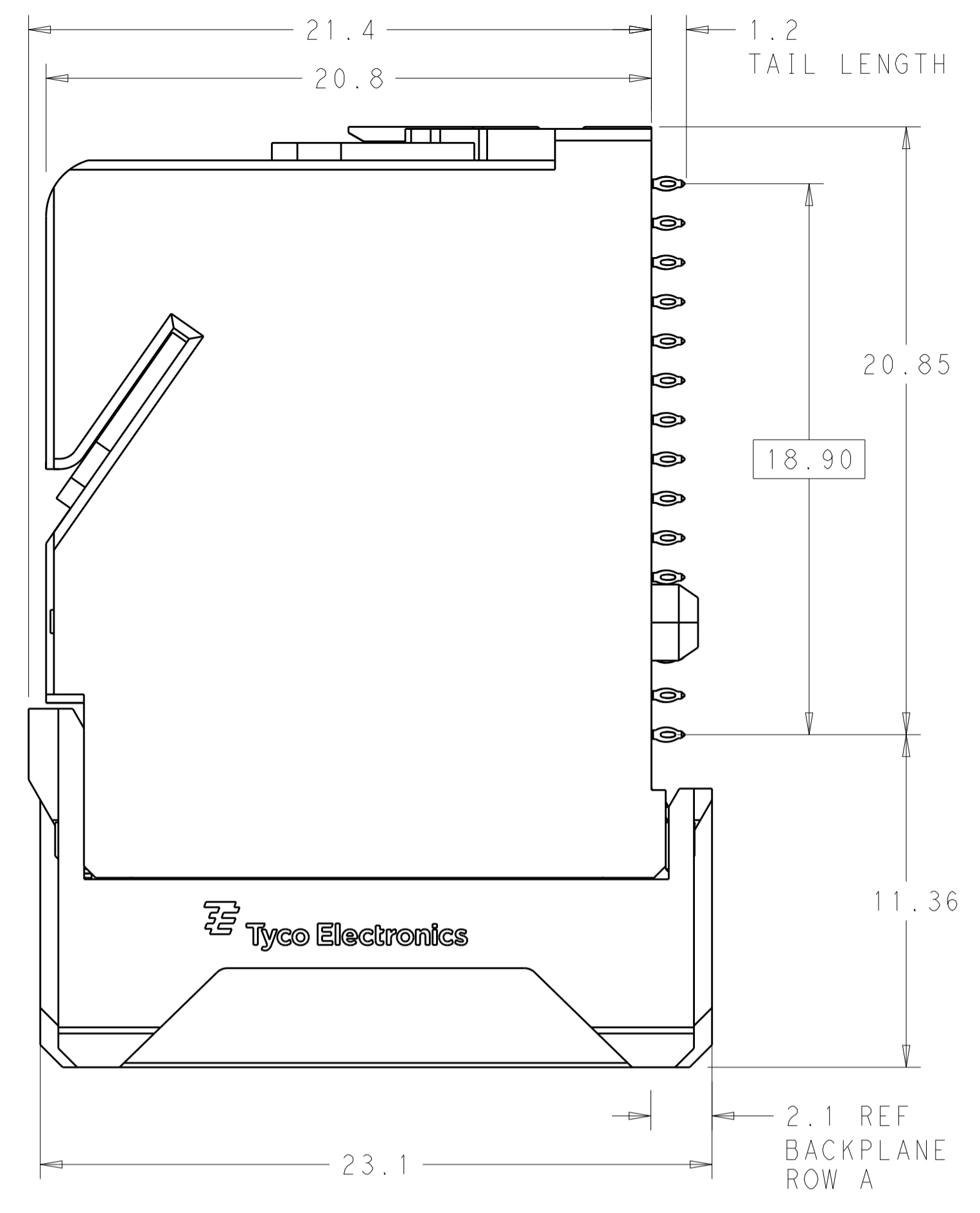
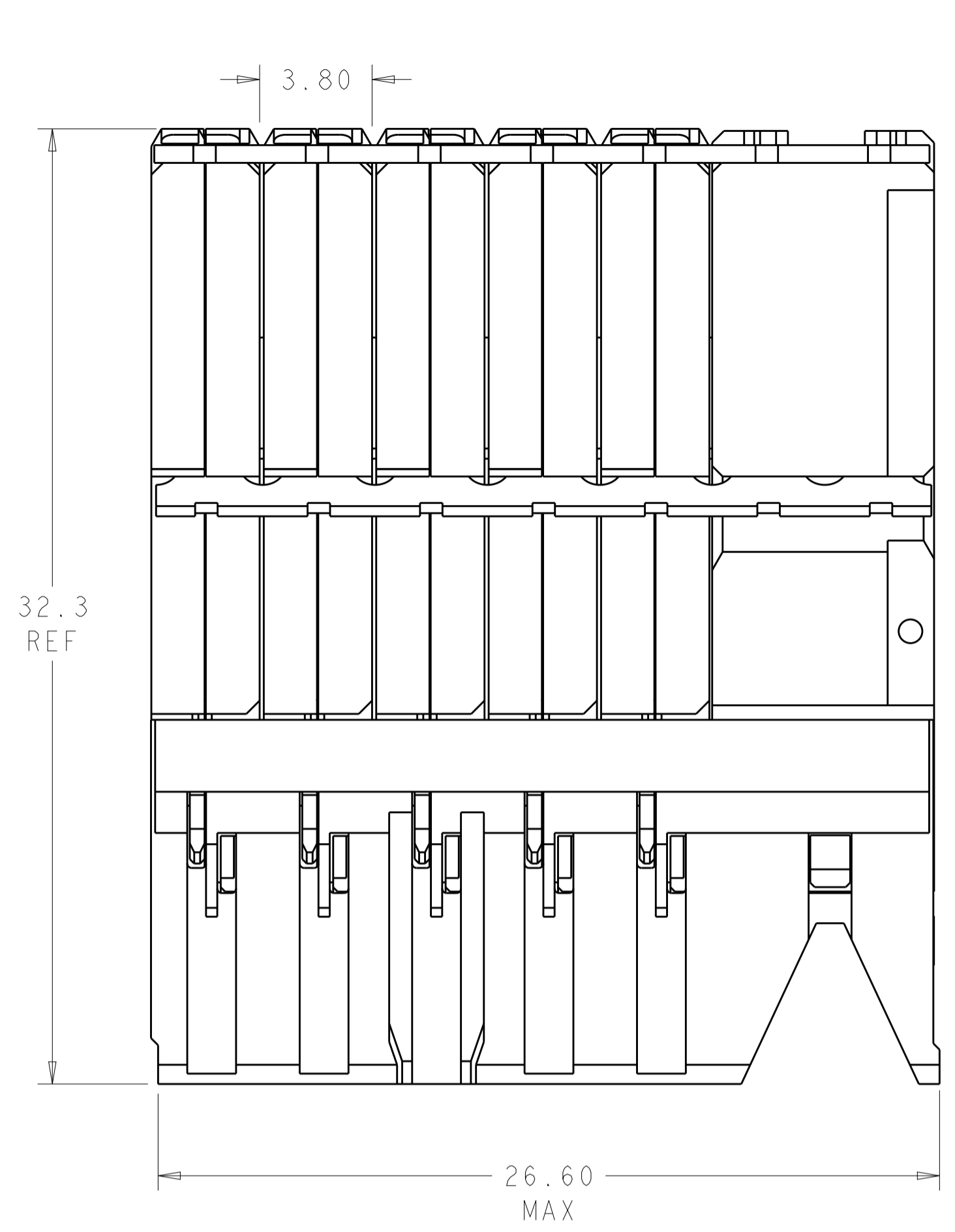


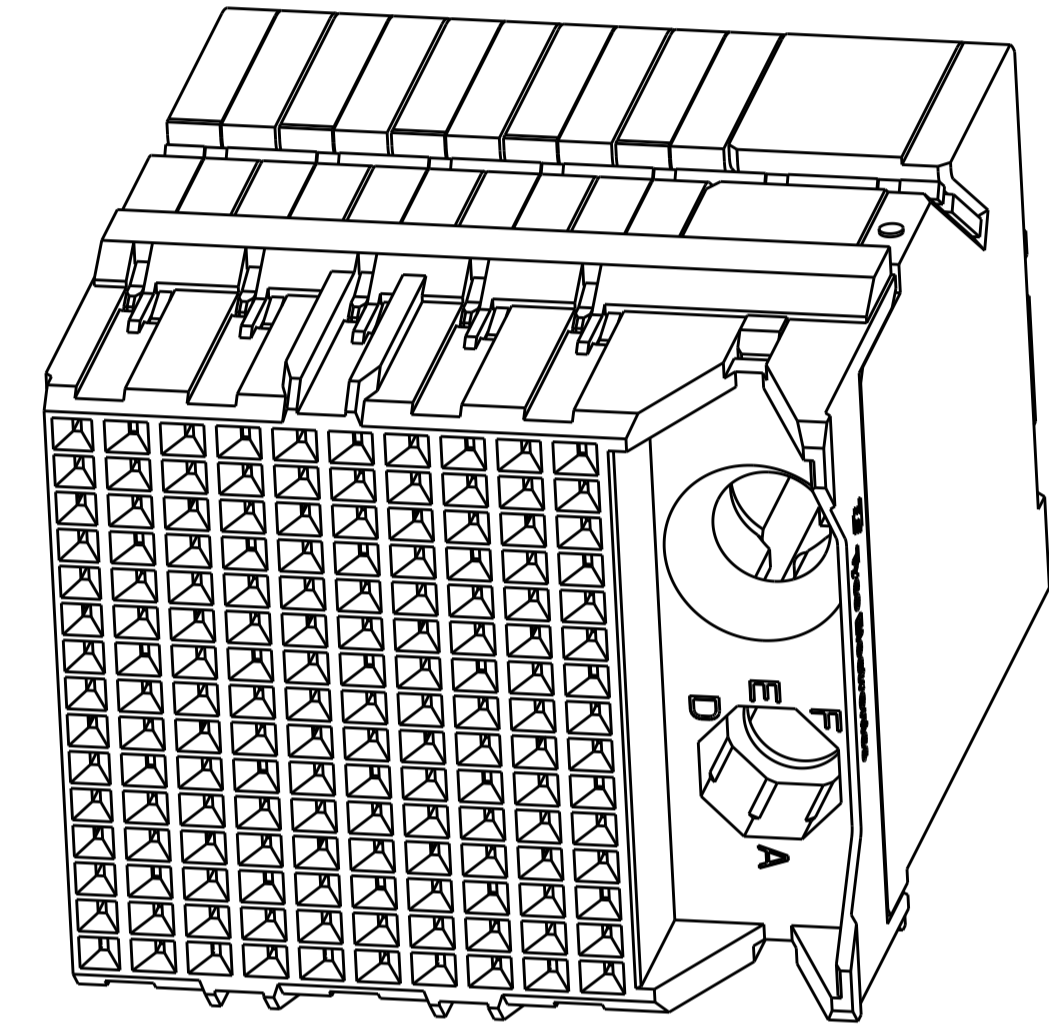
REVISIONS				
P.	LTN	DESCRIPTION	DATE	APVD
C2		REVISED PER ECO-15-004915	09APR2015	AP DD



⚠ MATERIAL:
 HOUSING: LCP, GLASS FILLED, UL94V-0.
 TERMINALS: HIGH PERFORMANCE COPPER ALLOY.

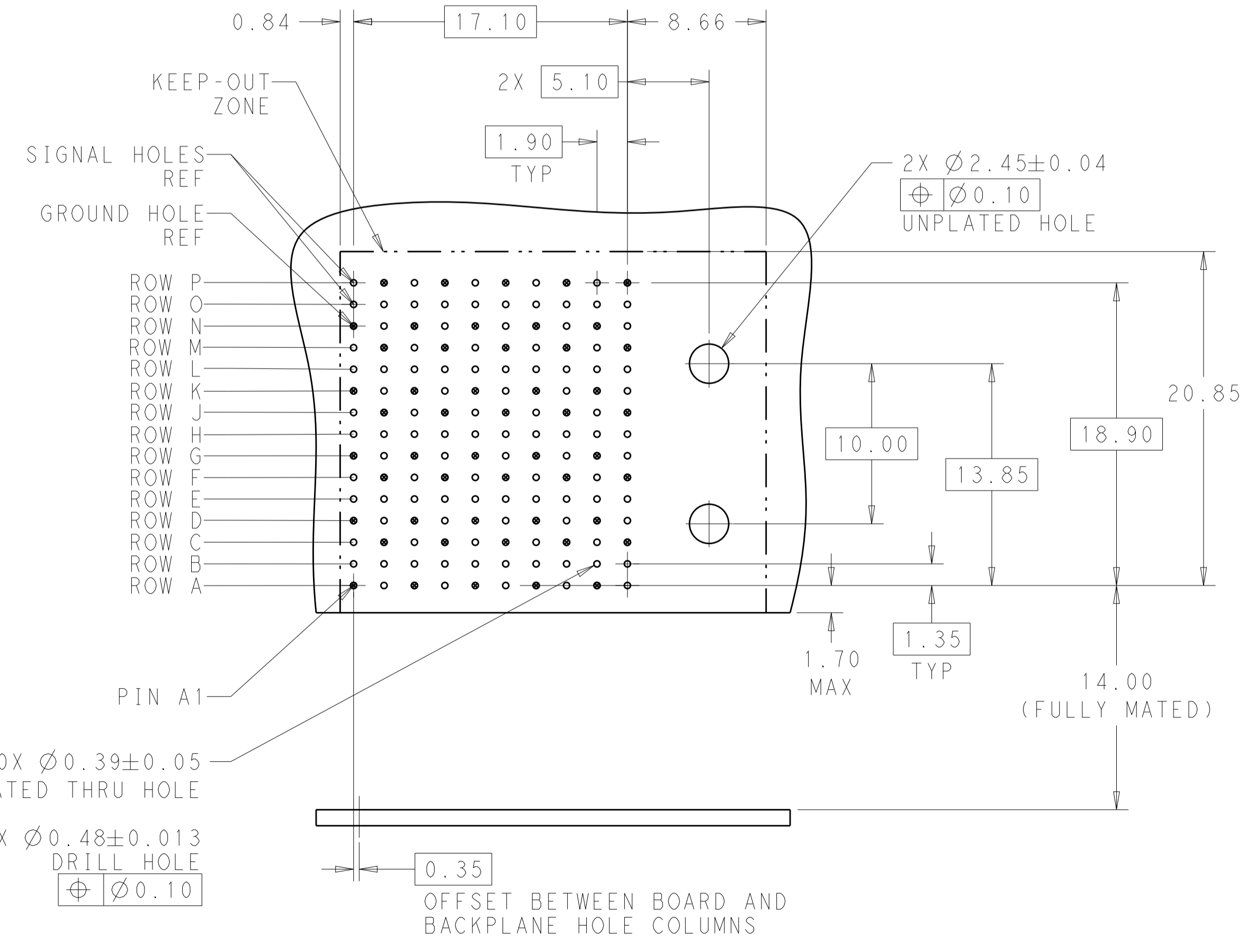
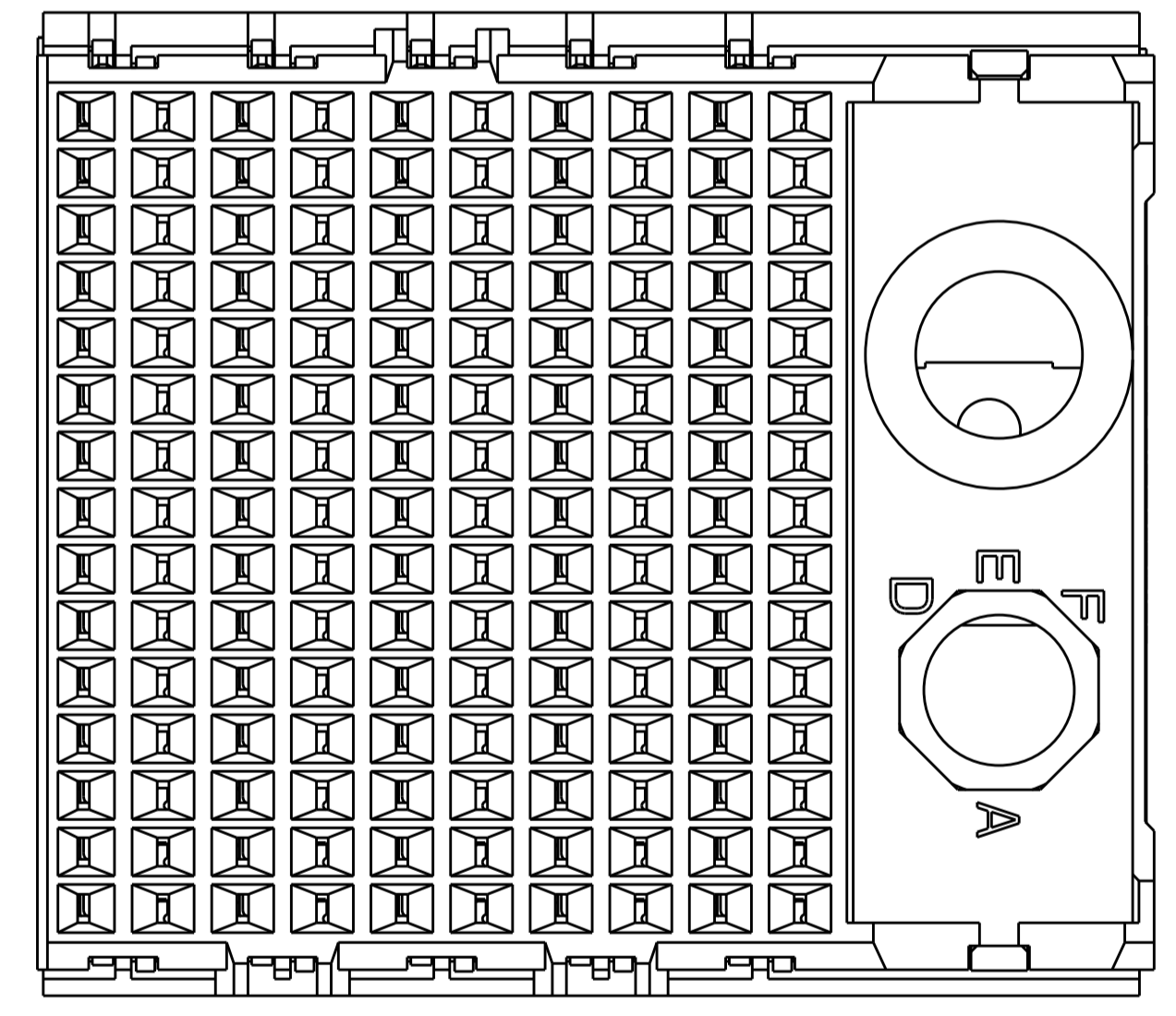
⚠ FINISH:
 30µ" SELECTIVE GOLD IN CONTACT AREA. SELECTIVE TIN ON PCB TAILS, NICKEL OVERALL.

3. CONNECTORS SUPPLIED WITH MOUNTING SCREW.



SCALE 4:1

REFER TO WWW.TE.COM FOR PRODUCT AVAILABILITY



KEY POSITION CHART	
	NONE
	A
	B
	C
	D
	E
	F
	G
	H

150X Ø0.39±0.05 PLATED THRU HOLE
 150X Ø0.48±0.013 DRILL HOLE
 Ø0.10

RECOMMENDED PCB LAYOUT
 MIN BOARD THICKNESS 1.0

KEY POSITION	FINISH	PART NUMBER
H	⚠	8-2110105-1
G	⚠	7-2110105-1
F	⚠	6-2110105-1
E	⚠	5-2110105-1
D	⚠	4-2110105-1
C	⚠	3-2110105-1
B	⚠	2-2110105-1
A	⚠	1-2110105-1
NONE	⚠	2110105-1

THIS DRAWING IS A CONTROLLED DOCUMENT.

OWN: J. K. SHOBER 14FEB2011
 CHK: D. DIXON 14FEB2011
 APVD: D. DIXON 14FEB2011

TE Connectivity

NAME: IMPACT, 5 PAIR, DAUGHTERCARD 10 COLUMN, RIGHT GUIDED, SIGNAL MODULE, 0.39 EYELET

SIZE: CAGE CODE DRAWING NO: A100779C=2110105
 RESTRICTED TO: -

MATERIAL: SEE TABLE
 FINISH: SEE TABLE
 WEIGHT: -
 CUSTOMER DRAWING

SCALE: 6:1 SHEET 1 OF 1 REV: C2