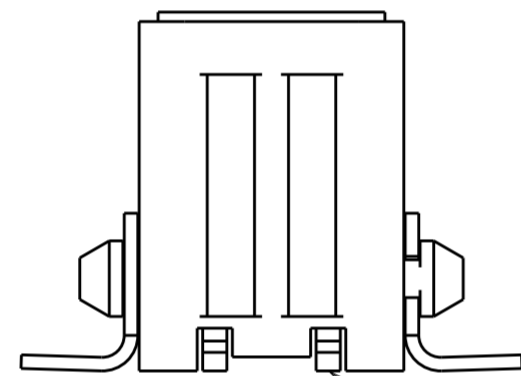
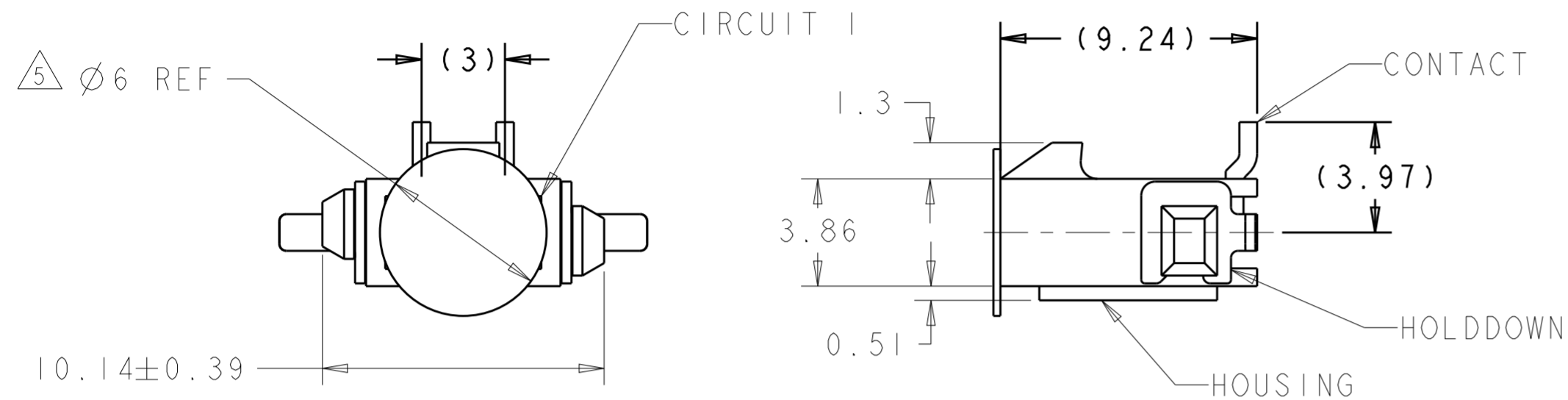
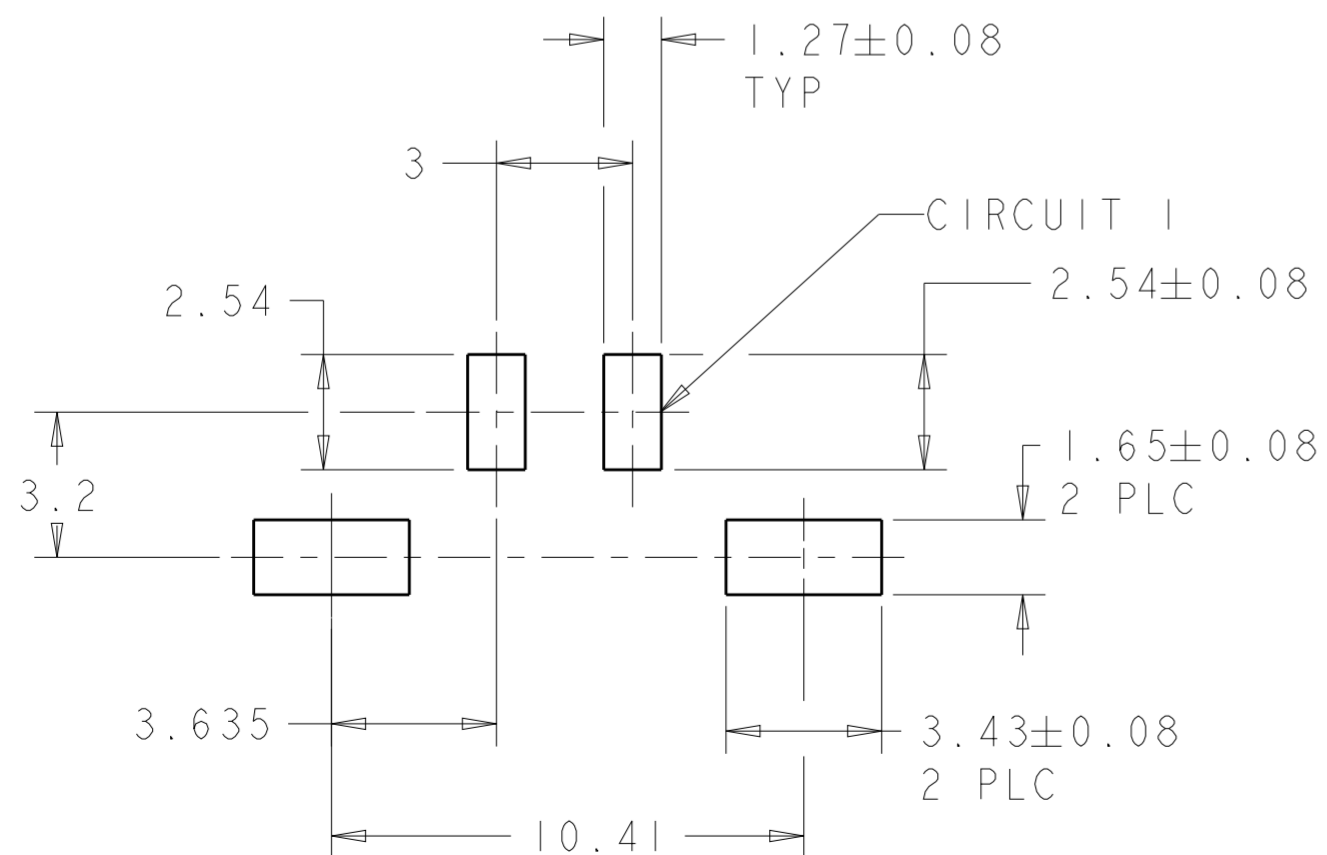


P	LTR	DESCRIPTION	DATE	DWN	APVD
B		REVISED PER ECO-08-009599	16JUL2008	HMR	CJ
BI		ECO-19-006934	10MAY2019	AP	WS



0.15
INCLUDES CONTACT TAILS,
HOUSING STANDOFFS, AND
BOARDLOCKS



PCB LAYOUT COMPONENT SIDE $\triangle 4$

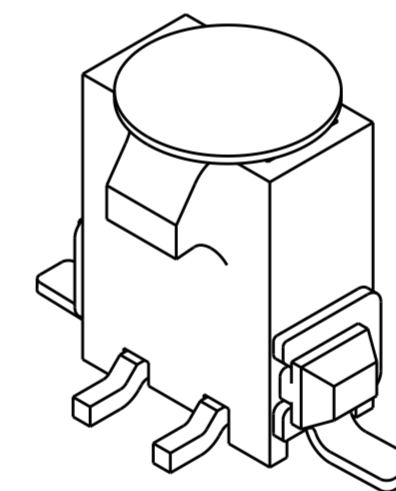
$\triangle 1$ MATERIAL: CONTACTS - BRASS
HOUSING - UL 94V-0 RATED HIGH TEMP NYLON, COLOR BLACK.
HOLDDOWNS: - PHOSPHOR BRONZE.

$\triangle 2$ PLATING: CONTACTS - 0.76 μ m MINIMUM GOLD ON MATING END,
2.54 μ m MINIMUM TIN ON SOLDER TAILS, BOTH OVER
1.27 μ m MINIMUM NICKEL.
HOLDDOWNS: 2.54 μ m MINIMUM TIN OVER 1.27 μ m MINIMUM
NICKEL.

$\triangle 4$ RECOMMENDED PC BOARD THICKNESS OF 1.57.

$\triangle 5$ KAPTON VACUUM PICK UP BUTTON.

$\triangle 6$ SPECIAL PACKAGING FOR IEC 286-3 REQUIREMENT. PARTS ORIENTED
180° DIFFERENT IN TAPE THAN STANDARD PART NUMBER 1445096.



$\triangle 2$	2	2029032-2
PLATING	NO. OF POSN	PART NUMBER

THIS DRAWING IS A CONTROLLED DOCUMENT.		DWN K. WHITAKER 15 JAN 2008	TE Connectivity	
DIMENSIONS: mm		CHK C. JONES 15 JAN 2008		
TOLERANCES UNLESS OTHERWISE SPECIFIED:		APVD C. JONES 15 JAN 2008	NAME VERTICAL SURFACE MOUNT HEADER ASSY, 30 MIC GOLD CONTACTS, SURF MOUNT HOLDDOWNS, SGL ROW, MICRO MATE-N-LOK	
0 PLC \pm		PRODUCT SPEC	SIZE CAGE CODE DRAWING NO RESTRICTED TO	
1 PLC \pm		108-1836	A200779 C-2029032 -	
2 PLC ± 0.13		APPLICATION SPEC	SCALE 6:1 SHEET 1 OF 1 REV BI	
3 PLC \pm		114-13000		
4 PLC \pm		WEIGHT -		
ANGLES \pm		CUSTOMER DRAWING		
FINISH				
SEE TABLE				