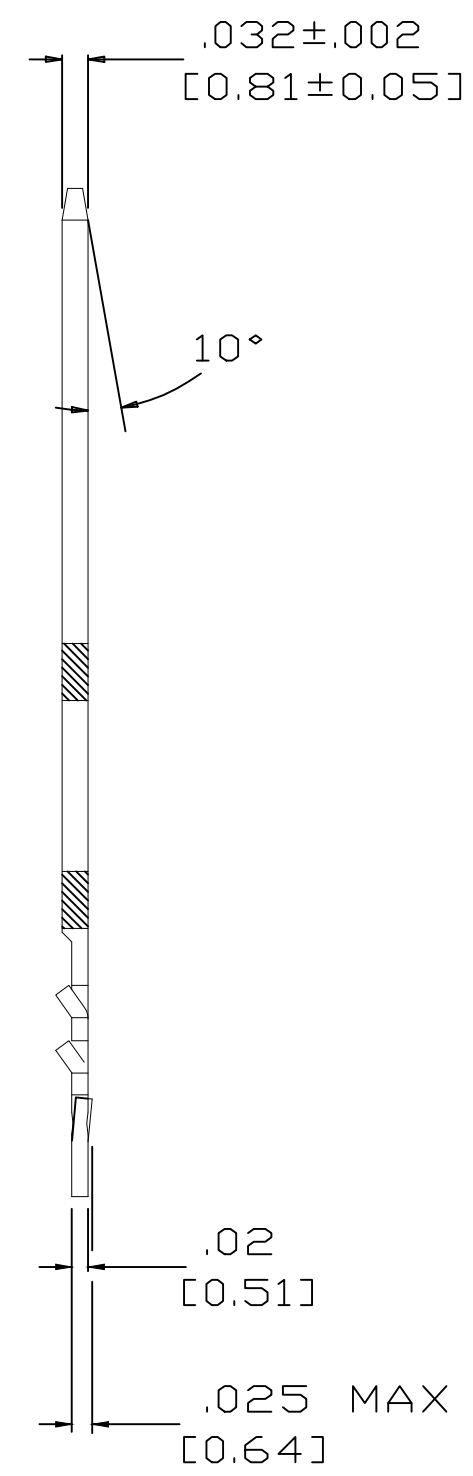
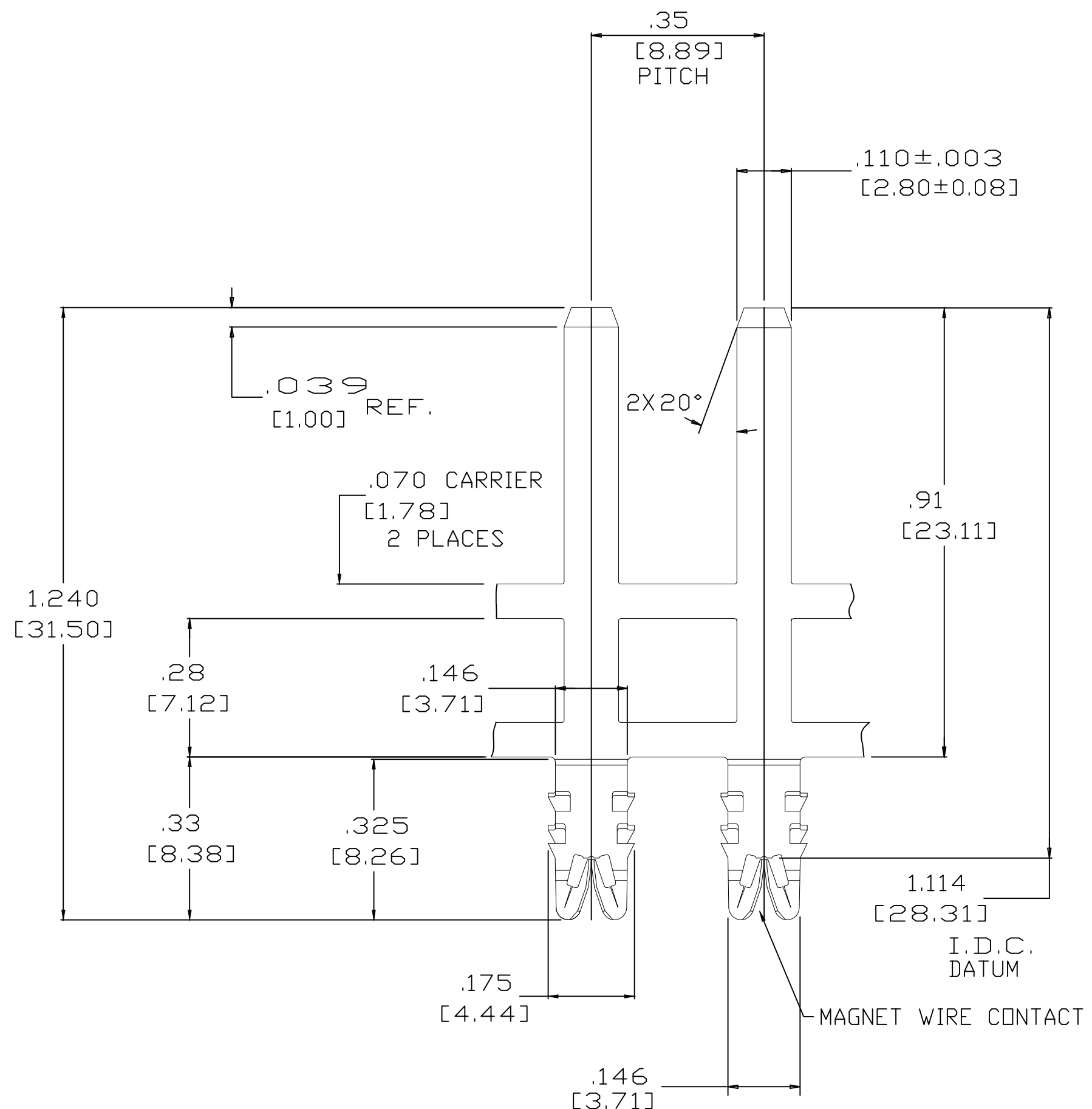
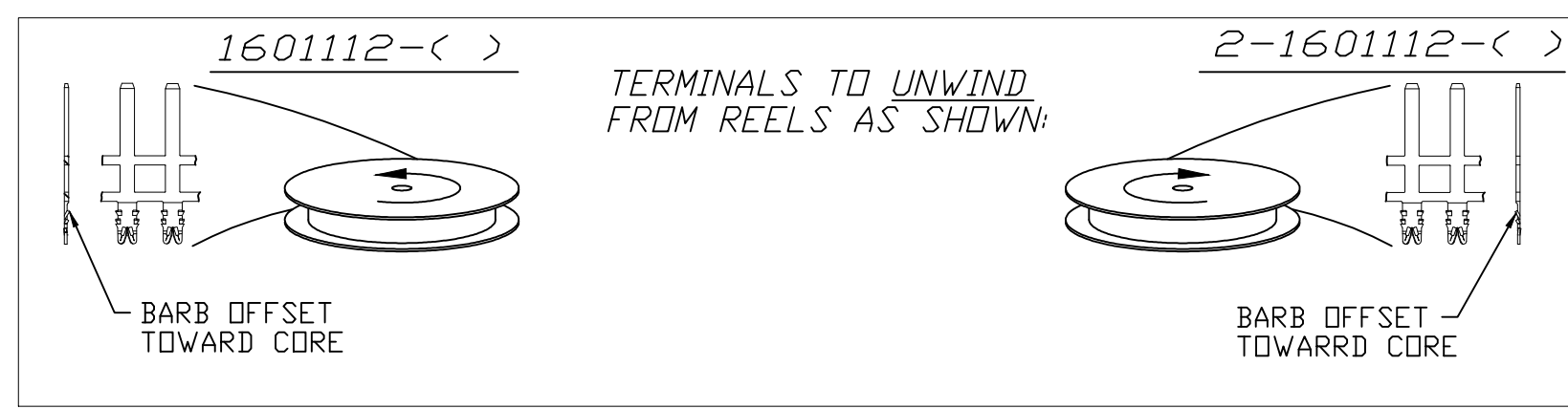
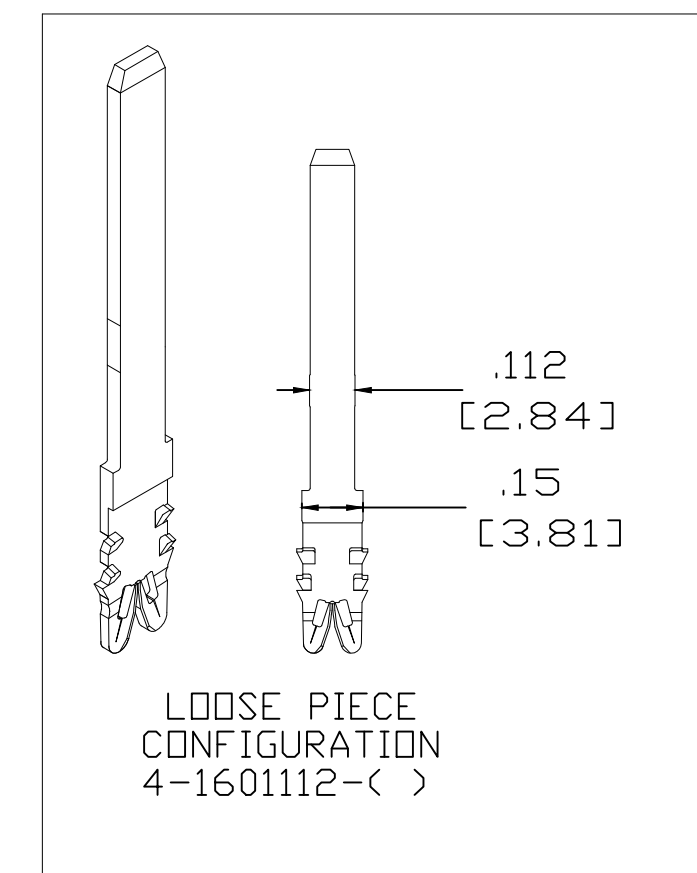


THIS DRAWING IS UNPUBLISHED. RELEASED FOR PUBLICATION
 © COPYRIGHT - TE Connectivity Ltd. ALL RIGHTS RESERVED.

REVISIONS					
P	LTR	DESCRIPTION	DATE	DWN	APVD
D2		REVISED PER ECR-18-014346	13SEP2018	JH	PKS



- SPECIFICATIONS:**
MAGNET WIRE #18 - #34 AWG,
.040" (1.02mm) - .006" (0.16mm) DIA COPPER
OTHER SIZES MAY BE ACCOMMODATED,
CONSULT TYCO ELECTRONICS FOR APPROVAL.
- POCKET RECOMMENDATION:**
#1601425
- TERMINAL APPLICATION TO COMPLY WITH TYCO ELECTRONICS SPECIFICATION 114-13166 FIGURE 6.**



-	-	-
-	-	-
-	-	-
-	-	-
Pre-Tin Plate over Copper Underplate	-	4-1601112-2
Pre-Tin Plate over Copper Underplate	131-187-014	1601112-2
FINISH	REFERENCE PART NUMBER	TYCO PART NUMBER
THIS DRAWING IS A CONTROLLED DOCUMENT.	DWN J.WELLER 11JAN2002	TE Connectivity Ltd.
DIMENSIONS: INCHES	CHK M.FEHER 11JAN2002	
TOLERANCES UNLESS OTHERWISE SPECIFIED:	APVD K.RANDOLPH 11JAN2002	
0 PLC ± -	PRODUCT SPEC 108-2085	
1 PLC ± -	APPLICATION SPEC	NAME
2 PLC ± .01[0.25]	3	STD. RANGE WIRE TO .110 X .032 MULTI-BARB TAB SIAMEZE TERMINAL
3 PLC ± .005[0.13]		SIZE CAGE CODE DRAWING NO RESTRICTED TO
4 PLC ± -		A2 00779 C-1601112 -
ANGLES ± 2°		SCALE 1:6 SHEET 1 OF 1 REV D2
MATERIAL BRASS, 1/2 HARD	FINISH SEE TABLE	WEIGHT 0.000000
		CUSTOMER DRAWING