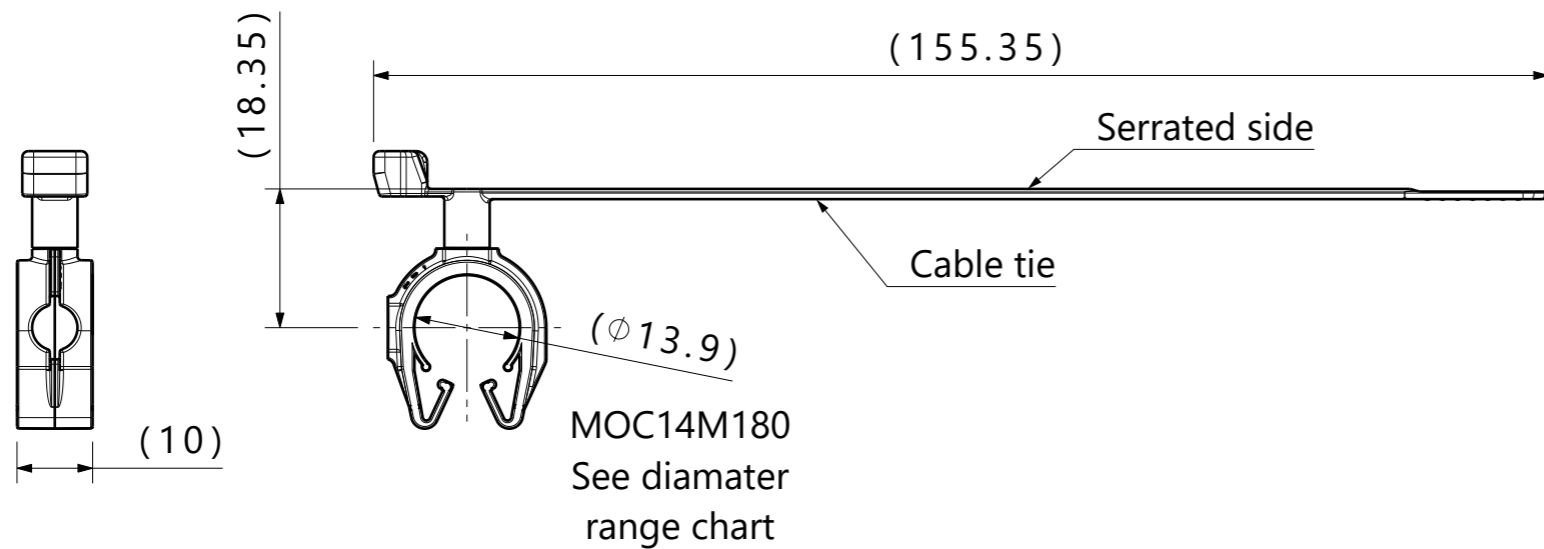
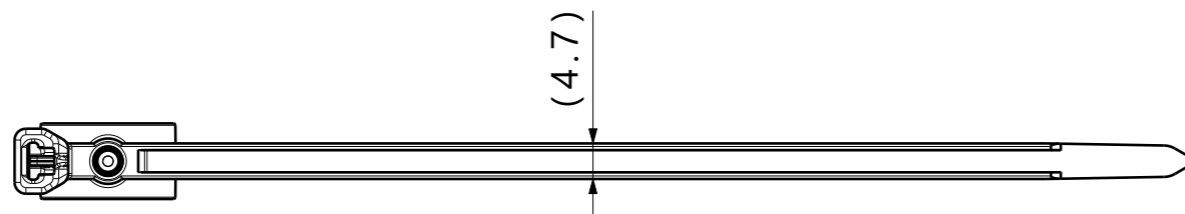


Isometric view



TYPE	SUGGESTED DIAMETER RANGE*
HARNESS	13.0MM - 15.0MM
HOSE	13.0MM - 15.0MM
HARD PIPE/TUBE	14.0MM - 15.8MM

\*RECOMMENDED SIZES MAY DIFFER DEPENDING ON THE APPLICATION, PRODUCT REQUIREMENTS AND MATERIALS USED

\*\*PATENTS: US D822,476S EU 003864313 CN 304373914S

GLOBAL PART NAME	BUNDLE RANGE	CABLE TIE			CLIP**		
		DRAWING	MATERIAL	COLOR	DRAWING	MATERIAL	COLOR
T50SVC MOC14M180-PA66HIRHSUV-BK	2 TO 50	14-0606-011-CSU	PA66HIRHSUV	BLACK	16-0320-002-CSU	PA66HIRHSUV	BLACK

Revision Level		
Drawing	State	Part
00.0	Design Release	-
Changed	Date (YYYY/MM/DD)	
Karabon	2020/01/30	
Approved	Date (YYYY/MM/DD)	
Fish	2020/01/30	

Revision Record	
ECN 015695	



All drawing revisions are stored in CAD PDM database

The copyright of this drawing is reserved by HellermannTyton.

Drawn	Date (YYYY/MM/DD)
Karabon	2020/01/30
Approved	Date (YYYY/MM/DD)
Fish	2020/01/30

Units  
mm  
**HellermannTyton**  
www.HellermannTyton.com

Title	T50SVC Tie strap coupled to 14mm MOC	Scale	1;1
Global Project Number	16-0320	Format	A3
Drawing-No	<b>16-0320-206-CSU</b>	Sheet	1 / 1