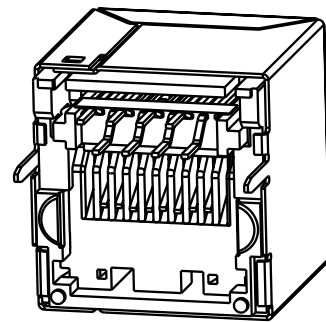
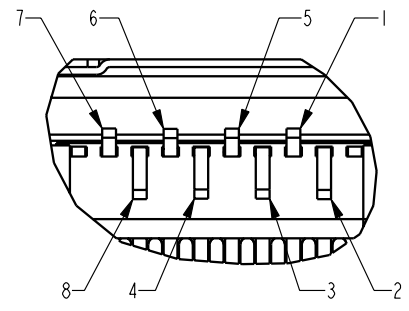


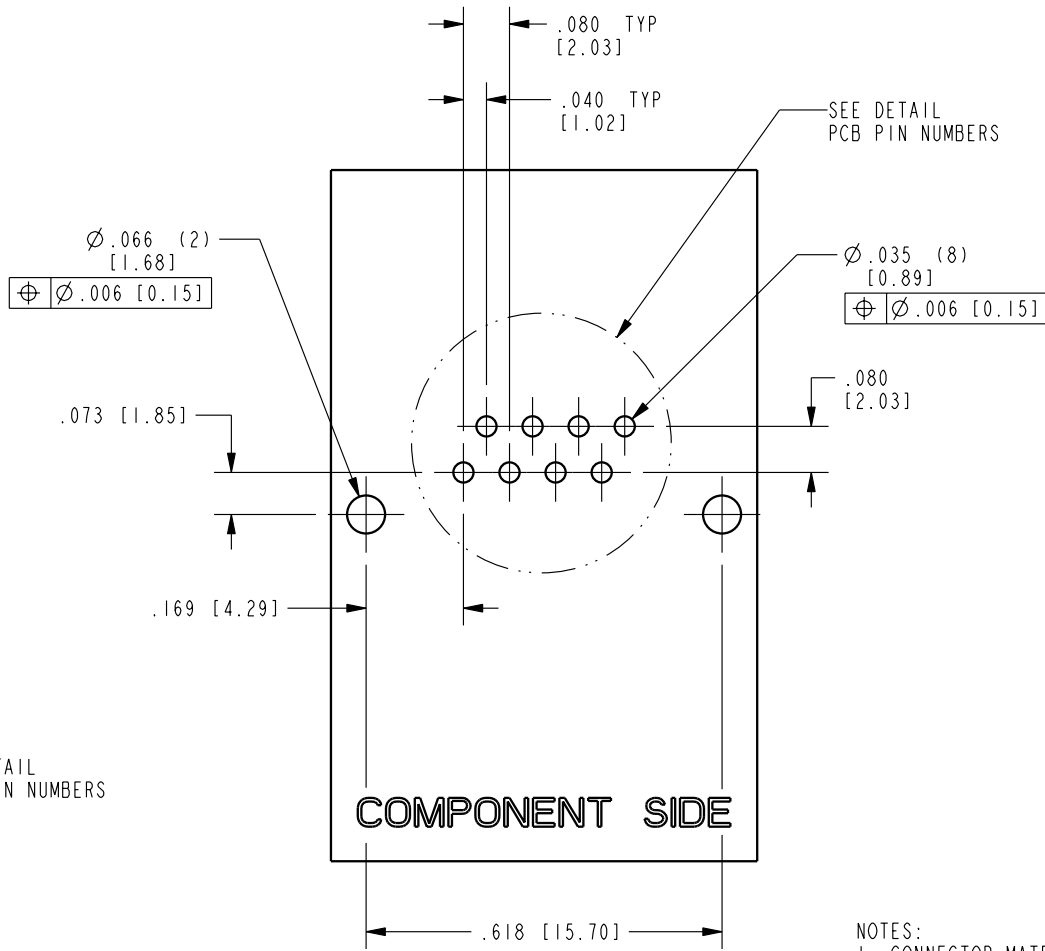
DATE	REV.	ECN	APP'D BY
2-9-16	C5	10531	TRM
3-17-17	C6	10938	TRM



ISO VIEW

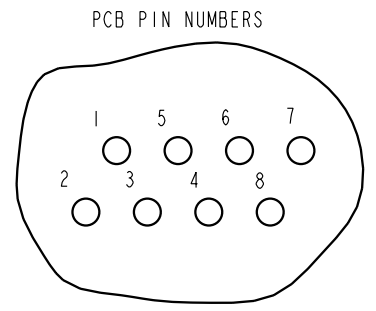


JACK PIN NUMBERS

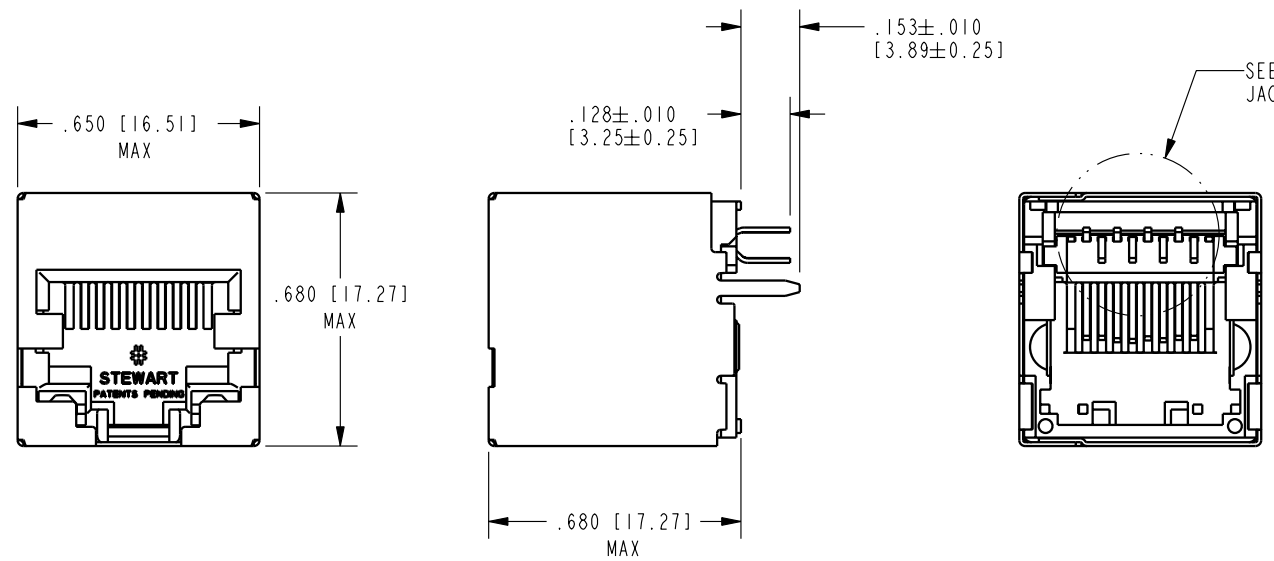


COMPONENT SIDE

PCB RECOMMENDED HOLE LAYOUT  
 SEEN FROM COMPONENT SIDE  
 ALL CENTERLINE DIMENSIONS ARE BASIC



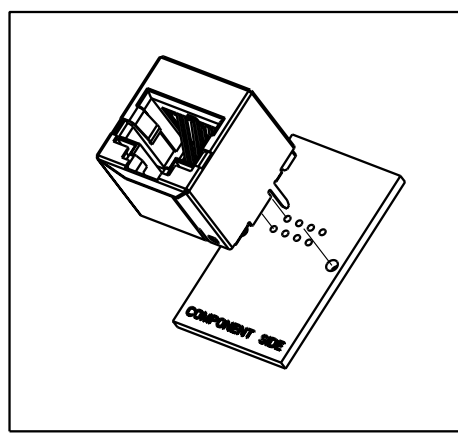
PCB PIN NUMBERS



SEE DETAIL JACK PIN NUMBERS

- NOTES:
- CONNECTOR MATERIALS:  
 HOUSING: THERMOPLASTIC UL94 V-0  
 CONTACTS/SHIELD: COPPER ALLOY  
 SHIELD PLATING: NICKEL  
 CONTACT PLATING: SELECTIVE PLATING IN CONTACT AREA  
 SEE CHART FOR DETAILS.
  - PRODUCT DESIGNED FOR CATEGORY 6 APPLICATIONS
  - DIMENSIONS AND TOLERANCES COMPLY WITH TIA-1096 STANDARD.
  - REFERENCE PRODUCT SPECIFICATION PR026-01

50 MICRO-INCHES [1.27um] Au OR 5 MICRO-INCHES [0.13um] Au OVER 30 MICRO-INCHES [0.76um] PdNi	SS-60000-024
CONTACT PLATING IN MATING AREA	PART NUMBER



THIRD ANGLE PROJECTION	
DO NOT SCALE DRAWING	
DRAWING IS SUBJECT TO CHANGE WITHOUT NOTICE	
DIMENSIONS: INCHES [METRIC]	
UNLESS OTHERWISE SPECIFIED TOLERANCES ARE ±.005 [0.13] ANGLES ARE ±1°	
SHEET NO. 1 OF 1	

11118 Susquehanna Trail South  
 Glen Rock, PA 17327-9199  
 (717) 235-7512  
<http://www.stewartconnector.com>

CATEGORY 6 SHIELDED VERTICAL JACK			
DRN BY:	TRM	DATE	4-8-05
APPD BY:	RGC	DATE	4-8-05
DWG. NO.	CT600029	REV.	C6