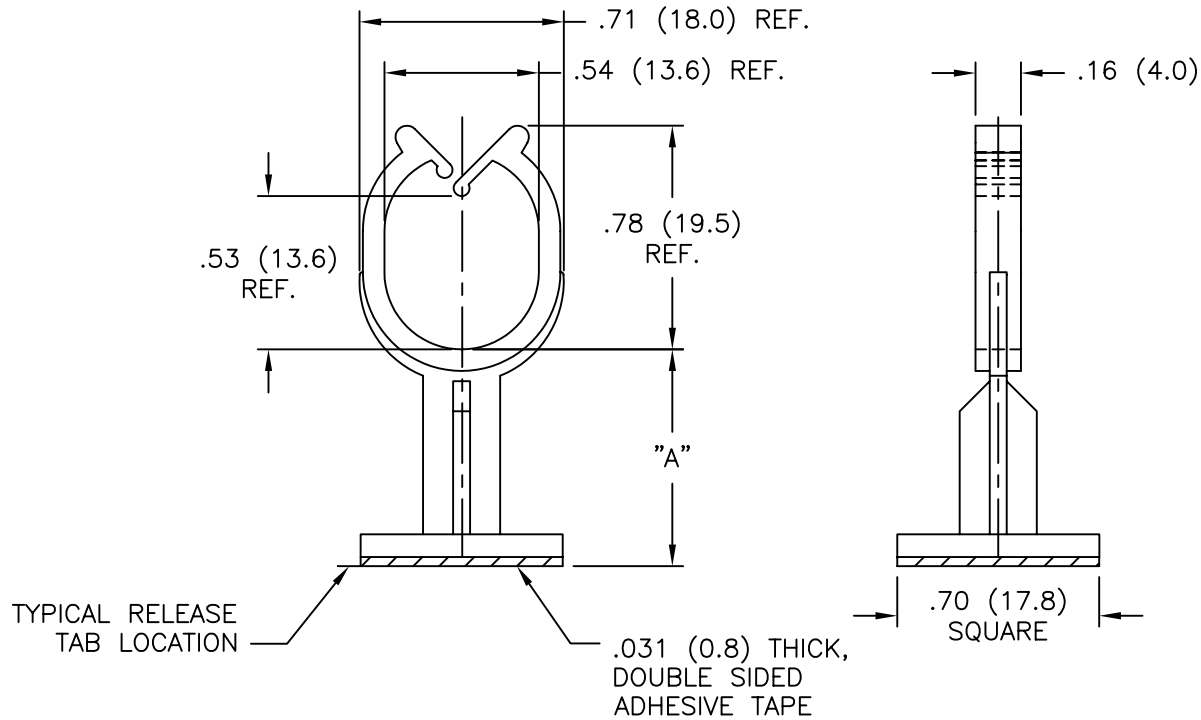


PART NO.	DIM. "A"
SHKBS-4-01A-RT	.25 (6.4)
SHKBS-8-01A-RT	.50 (12.7)
SHKBS-12-01A-RT	.75 (19.1)
SHKBS-16-01A-RT	1.00 (25.4)



NOTES:

1. MATERIAL: NYLON 6/6 (RMS-01).
FLAME RETARDANT, NYLON (RMS-19),
AVAILABLE BY SPECIAL ORDER ONLY.
2. COLOR: NATURAL.
3. ACRYLIC ADHESIVE TAPE (RMS-15), WHITE LINER.

TITLE: STANDOFF HARNESS CLIP ON ADHESIVE BASE		DWG IN IN (MM)		FINAL	
TOLERANCES UNLESS NOTED .XX=±.010 .XXX=±.005 FRAC=±1/64 ANG=±1°	FILE # SHKBS	DWN: SM	APP:	PART #	
	MAT'L: SEE NOTES	DT: 04/03/02	DT:	SEE TABLE	
	RE: RICHCO, INC.	RICHCO INC. PO BOX 804238, CHICAGO, 60680 (773) 539-4060		PRINT TYPE CA	
A	REDRAWN FROM RICHCO UK (REV. "A")	SM	04.03.02		
REV	DESCRIPTION	ENGR	DATE		