

# Connector Solutions M23 Standard Series

STEP 1  
Choose Plug

STEP 2  
Choose Receptacle

STEP 3  
Choose Backshell/Cord Grip

See page 18 for connector configurations

## Plugs



MB1CKN0900



MB1EJN0900



MB1GJN0900



MB2CKN0900



MB2GJN0900

## Plug Connector Kits



MB1CKN0900-KIT

## Receptacles



MB1LKN0900



MB5RJN0901  
MB5RJN0902



MB1LLN0900



MB1JJN0900



MB3TNN0900-S1  
MB3TNN0900-S2  
MB3TNN0900-S3



MB2LKN0900



MB7RJN0901  
MB7RJN0902



MB2LLN0900



MB2JJN0900

## Receptacle Kits



MB1LLN0900-KIT



**Checkmate™**  
MB2LLN0900-KIT



## Cord Grips



MB6CG-S1  
MB6CG-S2  
MB6CG-S3

## FlexGrip™ Backshell System



MB4FSR-B10.3  
MB4FSR-B12.5  
MB4FSR-B14.5  
MB4FSR-B17

more about  
FlexGrip™  
on page 282

**BULK CABLE**  
starts on  
page 23

SEE TABLE ON NEXT PAGE FOR PART DETAILS

CONTACTS SOLD SEPARATELY SEE PAGE 240

\*Elite Series receptacles are offered here as additional options for mating with Standard Series plugs. See Assembly Instructions starting on page 266



**9 (4+5) POSITIONS**  
**Power 30A/ 630V**  
**Signal 10A/ 250V**

**Number of Contacts: 9 (4+5)    Contact Size: 1.0mm, 2.0mm    Sealing: IP66/67**  
**AWG: 18-14 (0.75 - 2.5 mm<sup>2</sup>) / 18-22 (0.75 - 0.37 mm<sup>2</sup>) / 24-28 (0.25 - 0.10mm<sup>2</sup>)**



### Checkmate™ Connector Part Numbers

Part Number	Connector Type <i>Checkmate™ parts will mate with threaded parts. Just remove the O-ring from the threaded part.</i>	Contact Type male = pin female = socket	Figure Drawings
MB2CKN0900	Plug, straight, <b>Checkmate™</b>	Socket	1
MB2GJN0900	Plug, straight, panel mount, <b>Checkmate™</b>	Socket	2
MB2LLN0900	Receptacle, straight, flange mount, <b>Checkmate™</b>	Pin	3
MB2LLN0900-KIT	Receptacle kit, straight, <b>Checkmate™</b> . Contacts included.	Pin	3
MB2LKN0900	Receptacle, straight, M25, <b>Checkmate™</b>	Pin	4
MB2JJN0900	Receptacle extension, straight, <b>Checkmate™</b>	Pin	5
↑ Contacts supplied separately see Chart 1 page 240			
MB5RJN0901*	Receptacle, 90° rotatable, <b>Checkmate™</b> Standard Flange (25.7x25.7)	Pin	6
MB5RJN0902*	Receptacle, 90° rotatable, <b>Checkmate™</b> Large Flange (28.0x28.0)	Pin	7
↑ Contacts supplied separately see Chart 2 page 240			

### Threaded Connector Part Numbers

Part Number	Connector Type <i>Checkmate™ parts will mate with threaded parts. Just remove the O-ring from the threaded part.</i>	Contact Type male = pin female = socket	Figure Drawings
MB1CKN0900	Plug, straight, threaded coupling	Socket	8
MB1CKN0900-KIT	Plug kit, straight, threaded coupling. Contact included.	Socket	8
MB1EJN0900	Plug, 90° rotatable, threaded coupling	Socket	9
MB1GJN0900	Plug, straight, panel mount, threaded	Socket	10
MB1LLN0900	Receptacle, straight, flange mount, threaded coupling	Pin	11
MB1LLN0900-KIT	Receptacle kit, straight, threaded. Contacts included.	Pin	11
MB1LKN0900	Receptacle, straight, M25, threaded coupling	Pin	12
MB3TNN0900-S1	Receptacle, bulkhead, threaded; 7-11mm cord grip	Pin	13
MB3TNN0900-S2	Receptacle, bulkhead, threaded; 11-14.5mm cord grip	Pin	14
MB3TNN0900-S3	Receptacle, bulkhead, threaded; 14.5-17mm cord grip	Pin	15
MB1JJN0900	Receptacle extension, straight, threaded	Pin	16
↑ Contacts supplied separately see Chart 1 page 240			
MB7RJN0901*	Receptacle, 90° rotatable, Threaded Standard Flange (25.7x25.7)	Pin	17
MB7RJN0902*	Receptacle, 90° rotatable, Threaded Large Flange (28.0x28.0)	Pin	18
↑ Contacts supplied separately see Chart 2 page 240			

**Number of Contacts: 9 (4+5)    Contact Size: 1.0mm, 2.0mm    Sealing: IP66/67**  
**AWG: 18-14 (0.75 - 2.5 mm<sup>2</sup>) / 18-22 (0.75 - 0.37 mm<sup>2</sup>) / 24-28 (0.25 - 0.10mm<sup>2</sup>)**

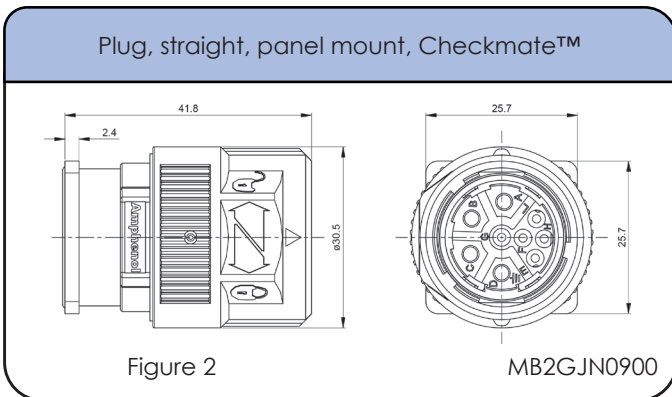
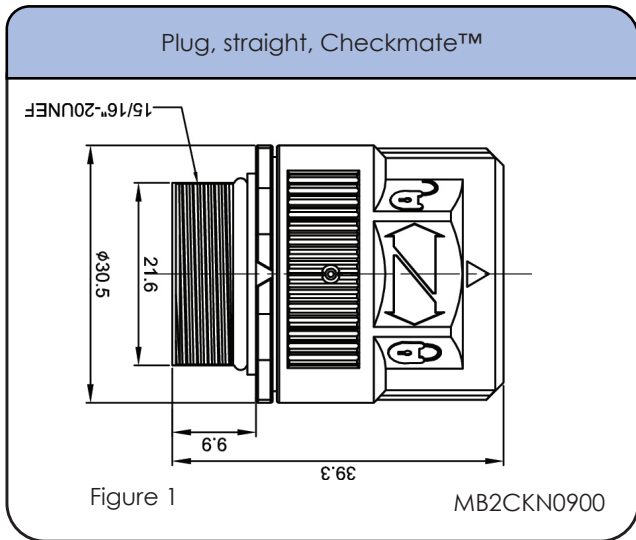
### Cord Grips and Backshells

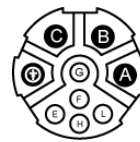
Part Number	Type	Cable Range (mm)	Figure Drawings
MB6CG-S1	Cord grip	7.5-11mm	19
MB6CG-S2	Cord grip	11.0-14.5mm	19
MB6CG-S3	Cord grip	14.5-17mm	19
MB4FSR-B10.3*	Flex Grip™ backshell	9.5-10.3mm	20
MB4FSR-B12.5*	Flex Grip™ backshell	11.5-12.5mm	20
MB4FSR-B14.5*	Flex Grip™ backshell	13.5-14.5mm	20
MB4FSR-B17*	Flex Grip™ backshell	15.5-17mm	20

\*Must be potted to achieve IP67 ratings.

### Checkmate™ Dimensions Straight Plug/ Plug Kits/ Panel Mount

See Chart 1 for contacts options



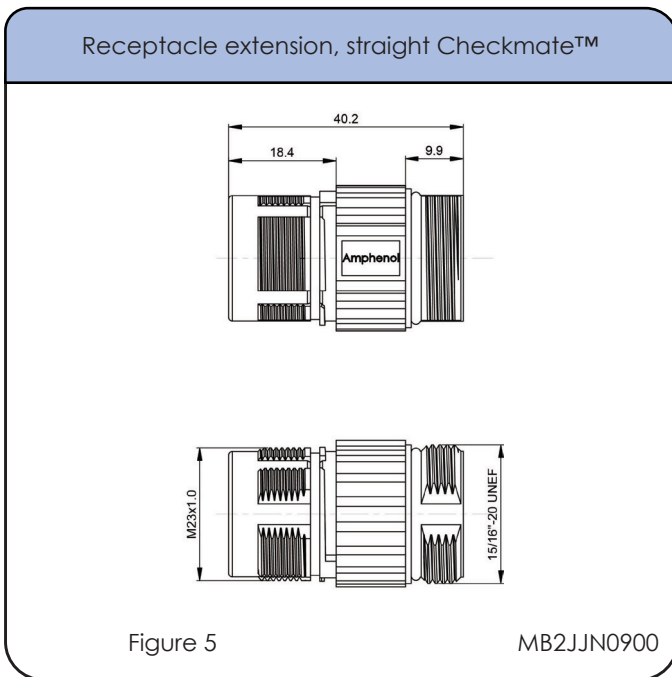
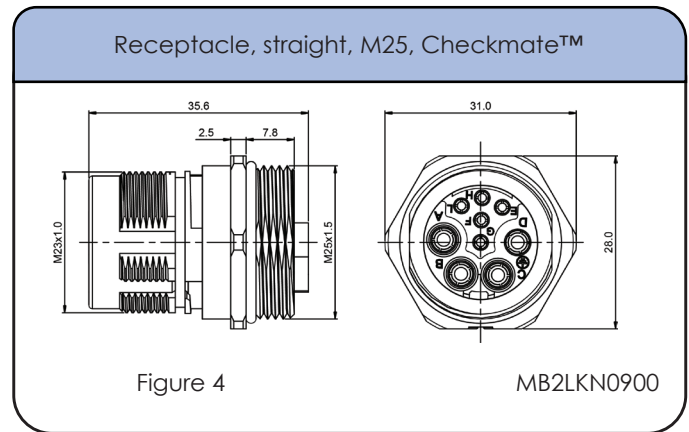
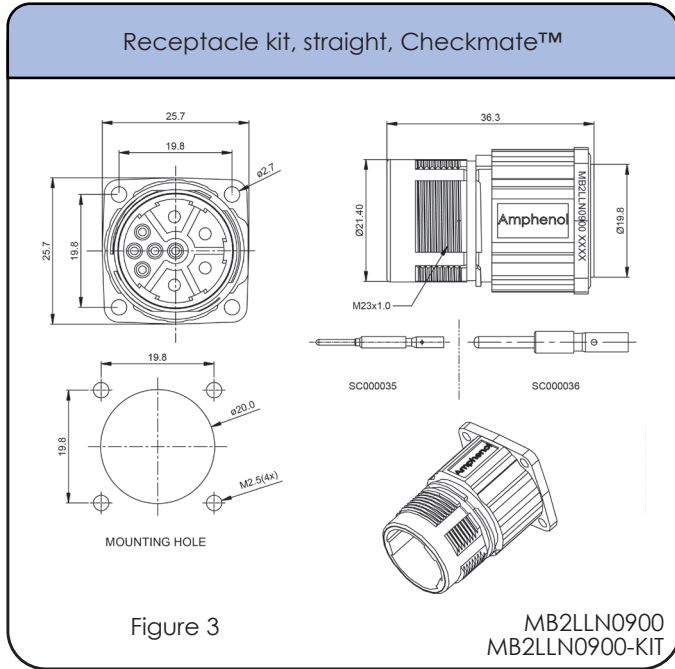


**9 (4+5) POSITIONS**  
**Power 30A/ 630V**  
**Signal 10A/ 250V**

**Number of Contacts: 9 (4+5)    Contact Size: 1.0mm, 2.0mm    Sealing: IP66/67**  
**AWG: 18-14 (0.75 - 2.5 mm<sup>2</sup>) / 18-22 (0.75 - 0.37 mm<sup>2</sup>) / 24-28 (0.25 - 0.10mm<sup>2</sup>)**

## Checkmate™ Dimensions Straight Receptacles / Receptacles Extension

See Chart 1 for contacts options

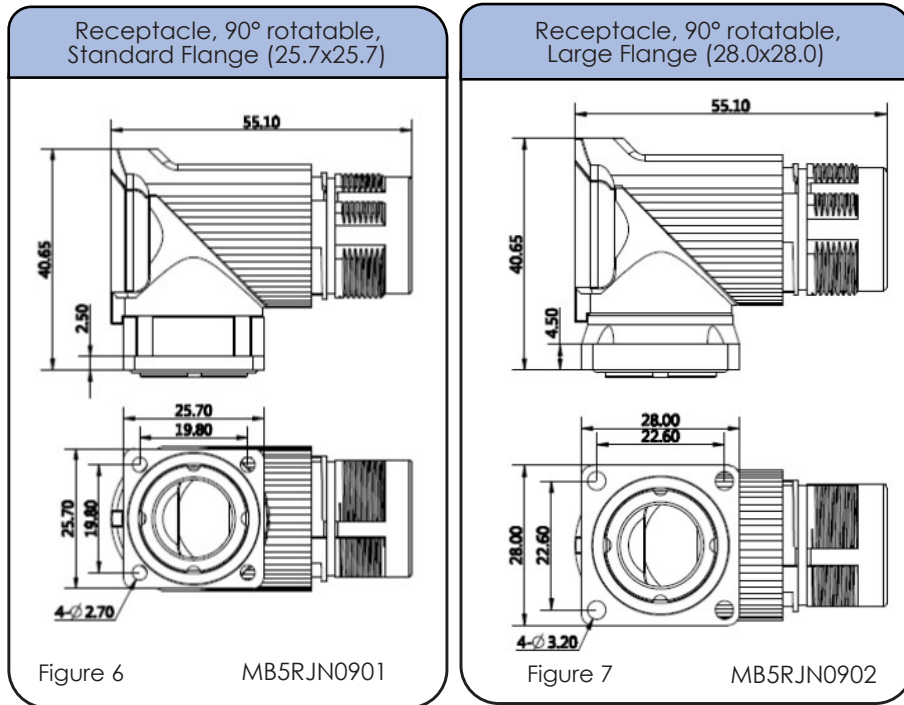


Complete datasheets can be found at [www.amphenol-sine.com](http://www.amphenol-sine.com)

**Number of Contacts: 9 (4+5)    Contact Size: 1.0mm, 2.0mm    Sealing: IP66/67**  
**AWG: 18-14 (0.75 - 2.5 mm<sup>2</sup>) / 18-22 (0.75 - 0.37 mm<sup>2</sup>) / 24-28 (0.25 - 0.10mm<sup>2</sup>)**

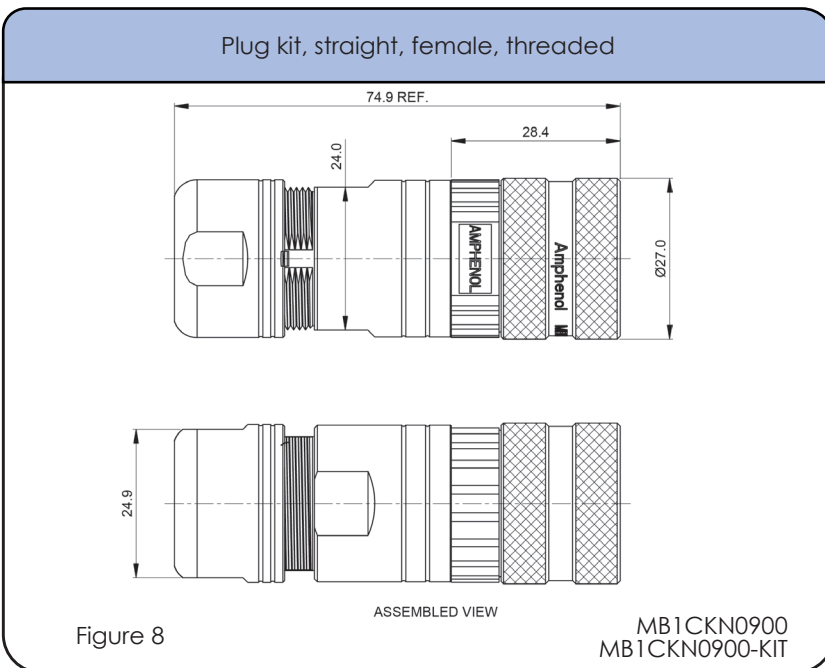
### Checkmate™ Dimensions 90° Receptacles

See Chart 2 for contacts options

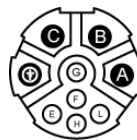


### Threaded Dimensions Plugs/Plug Kit

See Chart 1 for contacts options



Complete datasheets can be found at [www.amphenol-sine.com](http://www.amphenol-sine.com)



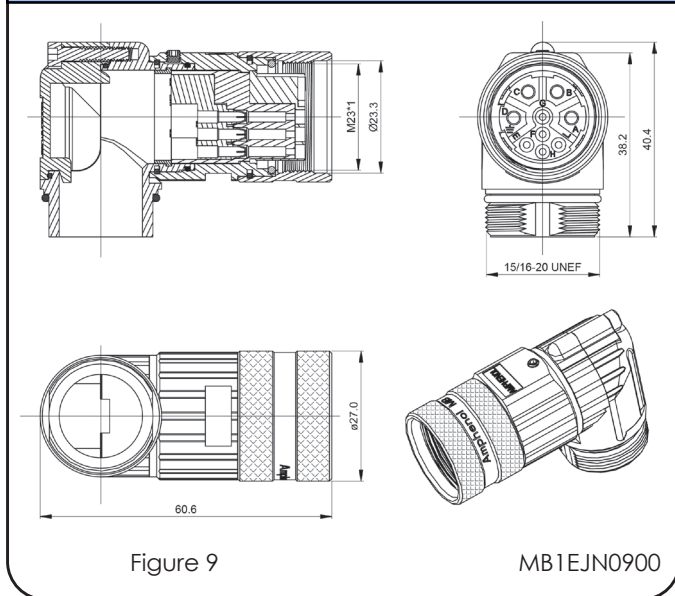
**9 (4+5) POSITIONS**  
**Power 30A/ 630V**  
**Signal 10A/ 250V**

**Number of Contacts: 9 (4+5) Contact Size: 1.0mm, 2.0mm Sealing: IP66/67**  
**AWG: 18-14 (0.75 - 2.5 mm<sup>2</sup>) / 18-22 (0.75 - 0.37 mm<sup>2</sup>) / 24-28 (0.25 - 0.10mm<sup>2</sup>)**

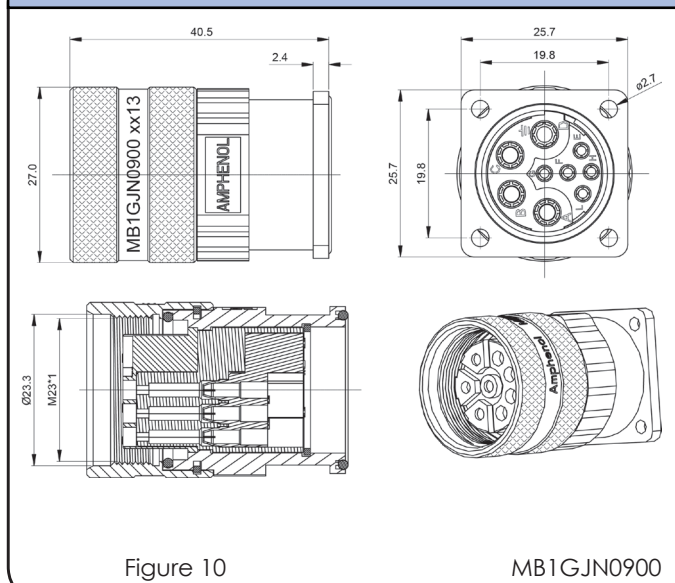
### Threaded Dimensions 90° Plug / Panel Mount Plug

See Chart 1 for contacts options

Plug, 90° rotatable, threaded coupling



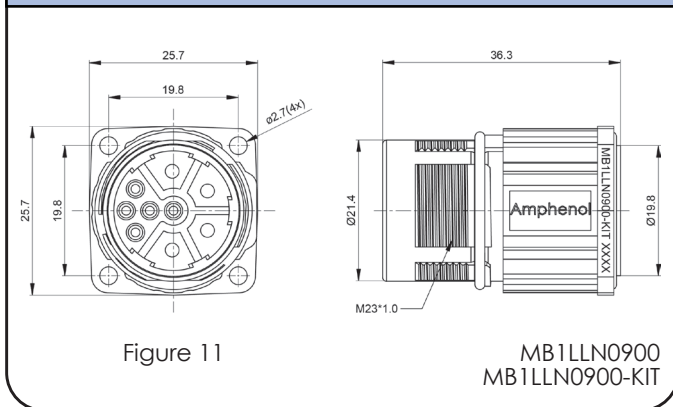
Plug, straight, panel mount, threaded



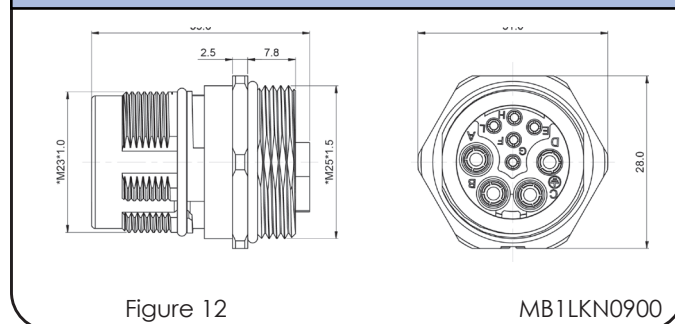
### Threaded Dimensions Straight Receptacles

See Chart 1 for contacts options

Receptacle, kit, straight, threaded



Receptacle, straight, M25, threaded coupling

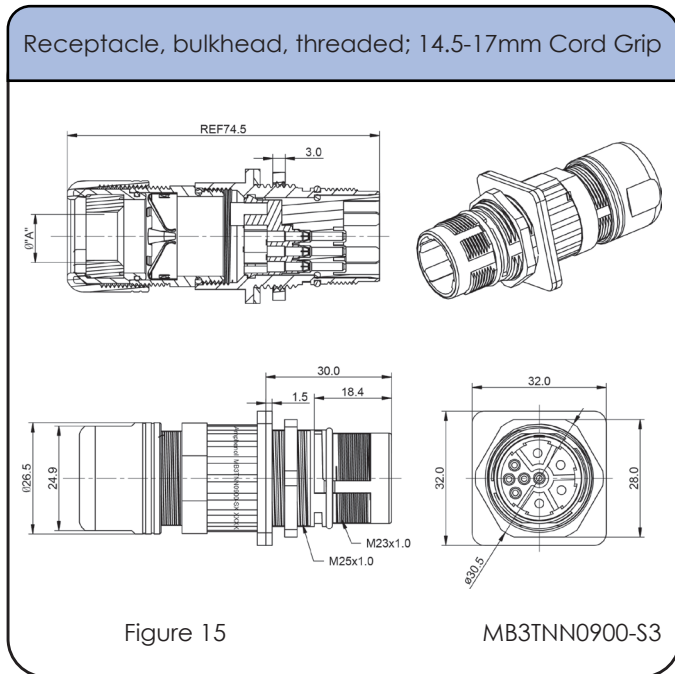
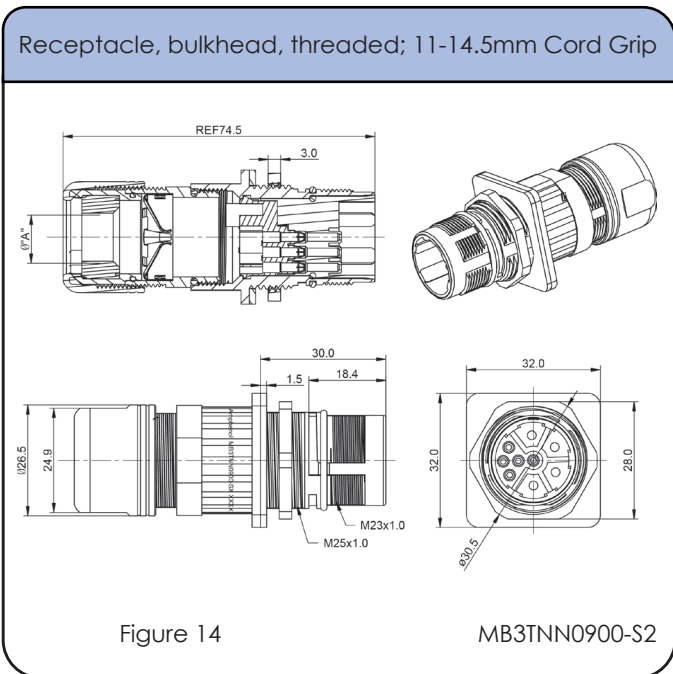
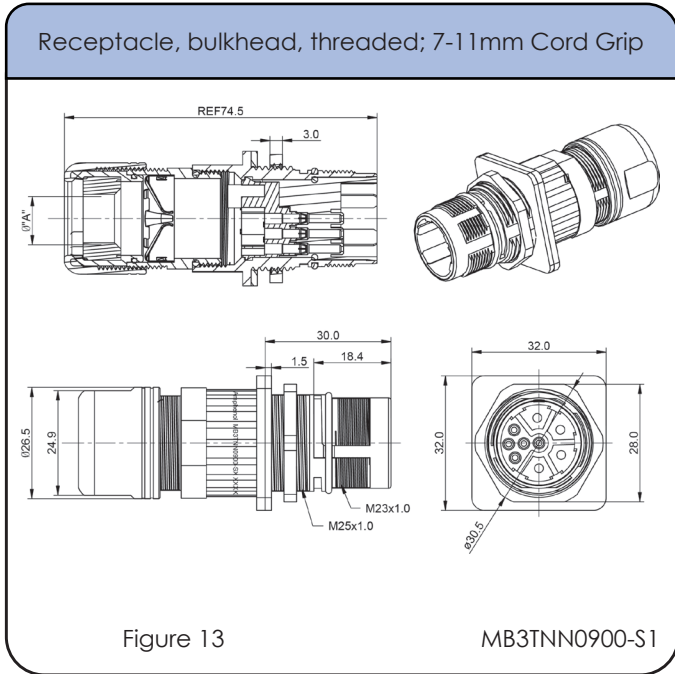


Complete datasheets can be found at [www.amphenol-sine.com](http://www.amphenol-sine.com)

**Number of Contacts: 9 (4+5)    Contact Size: 1.0mm, 2.0mm    Sealing: IP66/67**  
**AWG: 18-14 (0.75 - 2.5 mm<sup>2</sup>) / 18-22 (0.75 - 0.37 mm<sup>2</sup>) / 24-28 (0.25 - 0.10mm<sup>2</sup>)**

### Threaded Dimensions Bulkhead Receptacles / Receptacle Kits

See Chart 1 for contacts options



Complete datasheets can be found at [www.amphenol-sine.com](http://www.amphenol-sine.com)



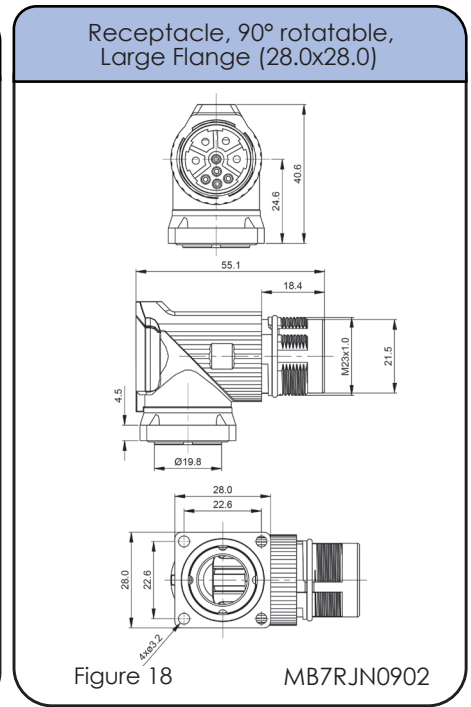
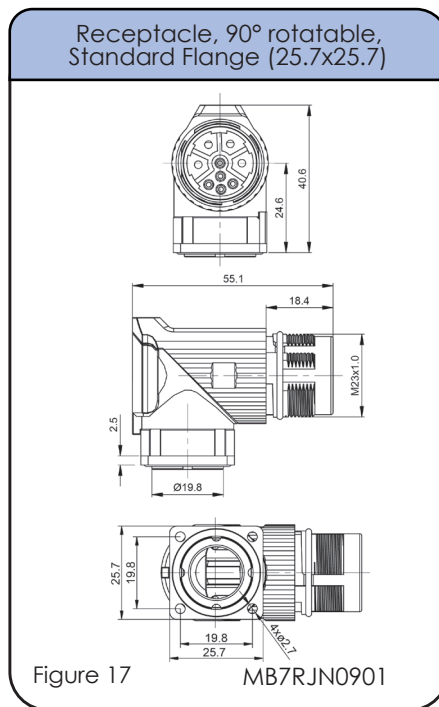
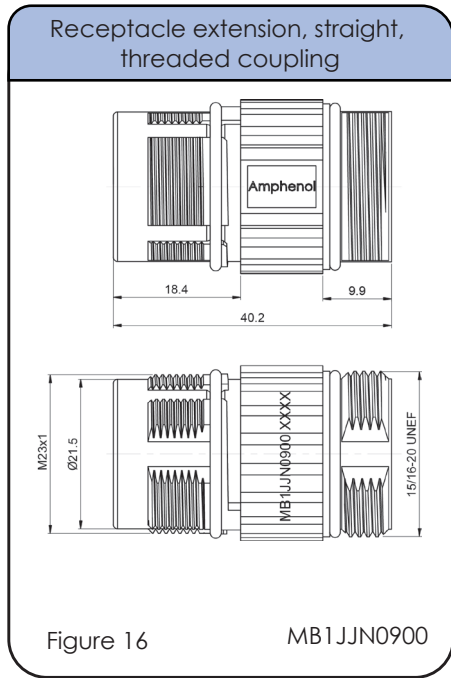
**9 (4+5) POSITIONS**  
**Power 30A/ 630V**  
**Signal 10A/ 250V**

**Number of Contacts: 9 (4+5)    Contact Size: 1.0mm, 2.0mm    Sealing: IP66/67**  
**AWG: 18-14 (0.75 - 2.5 mm<sup>2</sup>) / 18-22 (0.75 - 0.37 mm<sup>2</sup>) / 24-28 (0.25 - 0.10mm<sup>2</sup>)**

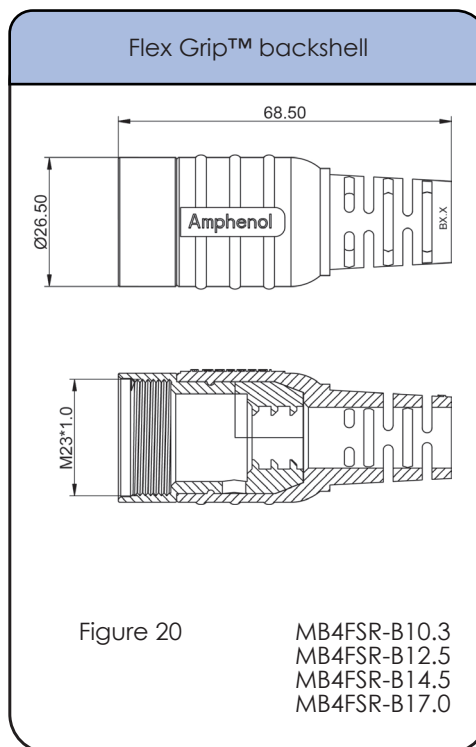
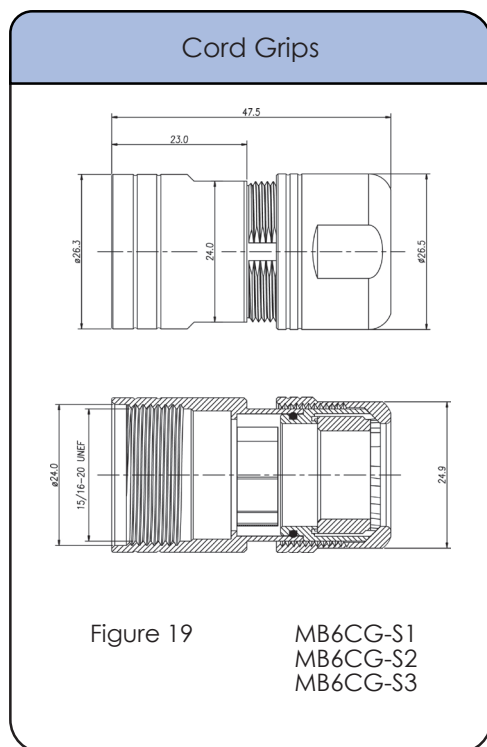
Threaded Dimensions Receptacle Extension /  
 90° Rotatable Receptacles

See Chart 1 for contacts options

See Chart 2 for contacts options for 90° Rotatable Receptacles



### Dimensions Cord Grips / Backshells





**Number of Contacts: 9 (4+5)    Contact Size: 1.0mm, 2.0mm    Sealing: IP66/67**  
**AWG: 18-14 (0.75 - 2.5 mm<sup>2</sup>) / 18-22 (0.75 - 0.37 mm<sup>2</sup>) / 24-28 (0.25 - 0.10mm<sup>2</sup>)**

## Contacts



Machined Contacts

### CHART 1

#### Crimp Contacts, Machined

For ALL Parts except those listed below in Chart 2

Part #	Size	Type	AWG	mm <sup>2</sup>	Plating
SC000035	1.0mm	Pin	22-18	0.37 - 0.75	Gold
SC000146	1.0mm	Pin	28-24	0.10 - 0.25	Gold
SC000036	2.0mm	Pin	18-14	1.5 - 0.75	Gold
SC000044	1.0mm	Socket	22-18	0.37 - 0.75	Gold
SC000030	1.0mm	Socket	28-24	0.10 - 0.25	Gold
SC000045	2.0mm	Socket	18-14	1.5 - 0.75	Gold

### CHART 2

#### Crimp Contacts, Machined

For parts: MB7RJN0801, MB7RJN0802, MB5RJN0801, MB5RJN0802

Part #	Size	Type	AWG	mm <sup>2</sup>	Plating
SC000261	1.0mm	Pin	22-18	0.37 - 0.75	Gold
SC000386	1.0mm	Pin	28-24	0.10 - 0.25	Gold
SC000262	2.0mm	Pin	18-14	0.75 - 2.5	Gold
SC000260	2.0mm	Socket	20-14	2.5 - 0.5	Gold
SC000259	2.0mm	Socket	18-14	0.75 - 2.5	Gold
SC000385	1.0mm	Socket	28-24	0.10 - 0.25	Gold

Note: When 18-22 AWG wire is required use Elite Series plugs and 90° rotatable receptacles starting on page 129



**9 (4+5) POSITIONS**  
**Power 30A/ 630V**  
**Signal 10A/ 250V**

**Number of Contacts: 9 (4+5)    Contact Size: 1.0mm, 2.0mm    Sealing: IP66/67**  
**AWG: 18-14 (0.75 - 2.5 mm<sup>2</sup>) / 18-22 (0.75 - 0.37 mm<sup>2</sup>) / 24-28 (0.25 - 0.10mm<sup>2</sup>)**

Tools

Pneumatic crimp tool. Uses universal positioner part no. SK2-2\*  
 Wire Range 20-32AWG

WA22

Pneumatic crimp tool. Uses universal positioner part no. UH2-5\*.  
 Wire Range 12-26AWG

WA27F

Extraction tool. Used for removal of 1.0mm contacts from inserts.

50-54931-1

Universal hand crimp tool. Uses universal positioner part no. UH2-5\*  
 Wire Range 12-26AWG

AF8

Universal hand crimp tool. Uses universal positioner part no. SK2-2\*  
 Wire Range 20-32AWG

AFM8

Extraction tool. Used for removal of 2.0mm contacts from inserts.

50-54931-2

Universal positioner is used with the universal hand crimp tool (AF8).  
 Wire range 12-26AWG

UH2-5

Universal positioner is used with crimp tools AFM8 and WA22.  
 Wire range 20-32AWG

SK2-2

Dust Cap for Receptacle

P29687

Dust Cap for Plug, Threaded

P30663-09

Dust Cap for Plug, Checkmate™

P31661-09

\* The universal positioner is not included with the crimp tools and must be ordered separately.

\* The extraction tool is not required to remove contacts from the 90° Rotatable Receptacles