

MODEL: CSS-10237-58 | **DESCRIPTION:** SPEAKER**FEATURES**

- 5 W rated power
- 8 ohm rated impedance
- 88 dB at 1 W

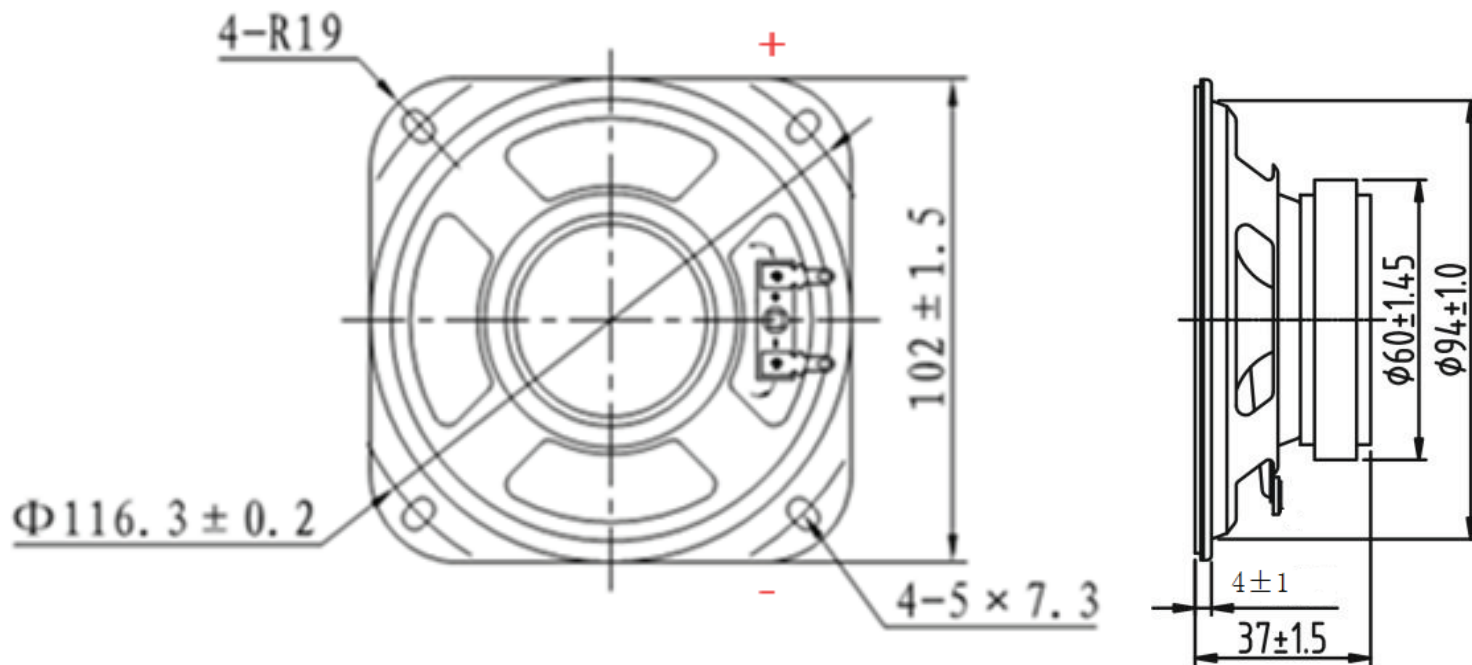
**SPECIFICATIONS**

parameter	conditions/description	min	typ	max	units
input power			5.0	8.0	W
impedance	at 1.0 kHz, 1.0 V	6.8	8	9.2	Ω
resonant frequency (Fo)	at 1.0 V	224	280	336	Hz
frequency response		Fo		6,000	Hz
sound pressure level	at 1.0 W, 50 cm, avg at 0.8, 1.0, 1.2, 1.5 kHz in baffleboard	85	88	91	dB
	at 5.0 W, 50 cm, avg at 0.8, 1.0, 1.2, 1.5 kHz in baffleboard	91	94	97	dB
distortion	at 1.0 kHz, 1 W, 50 cm			8	%
buzz, rattle, etc.	must be normal at sine wave, frequency range between Fo~2 kHz			10.95	V
polarity	cone moves forward w/ positive dc current to "+" terminal				
dimensions	102 x 102 x 37				mm
magnet	ferrite				
frame material	SPCC				
cone material	PET				
terminal	solder terminals				
weight		190	220	250	g
operating temperature		-20		60	$^{\circ}\text{C}$
storage temperature		-25		70	$^{\circ}\text{C}$
hand soldering	for maximum 3 seconds			380	$^{\circ}\text{C}$
RoHS	yes				

Notes: 1. All specifications measured at 15~35°C, humidity at 45~85%, under 86~106 kPa pressure, unless otherwise noted.

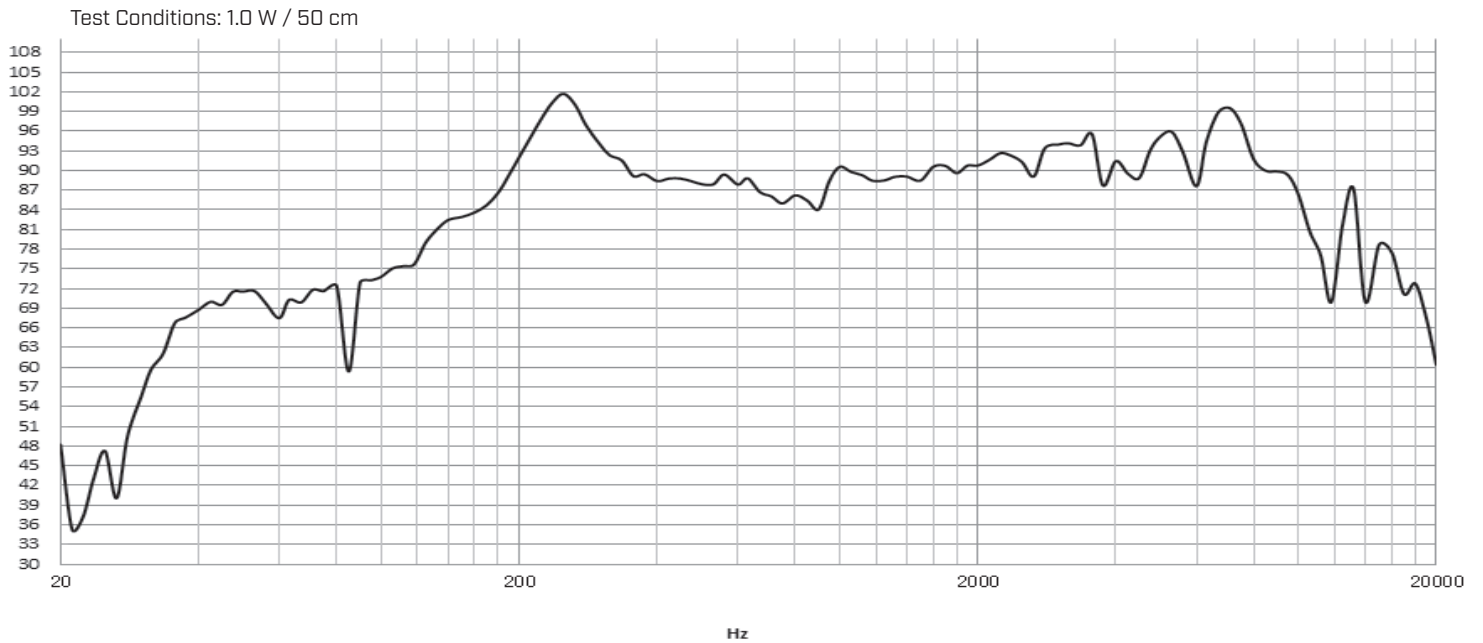
MECHANICAL DRAWING

units: mm
tolerance: ± 0.3 mm

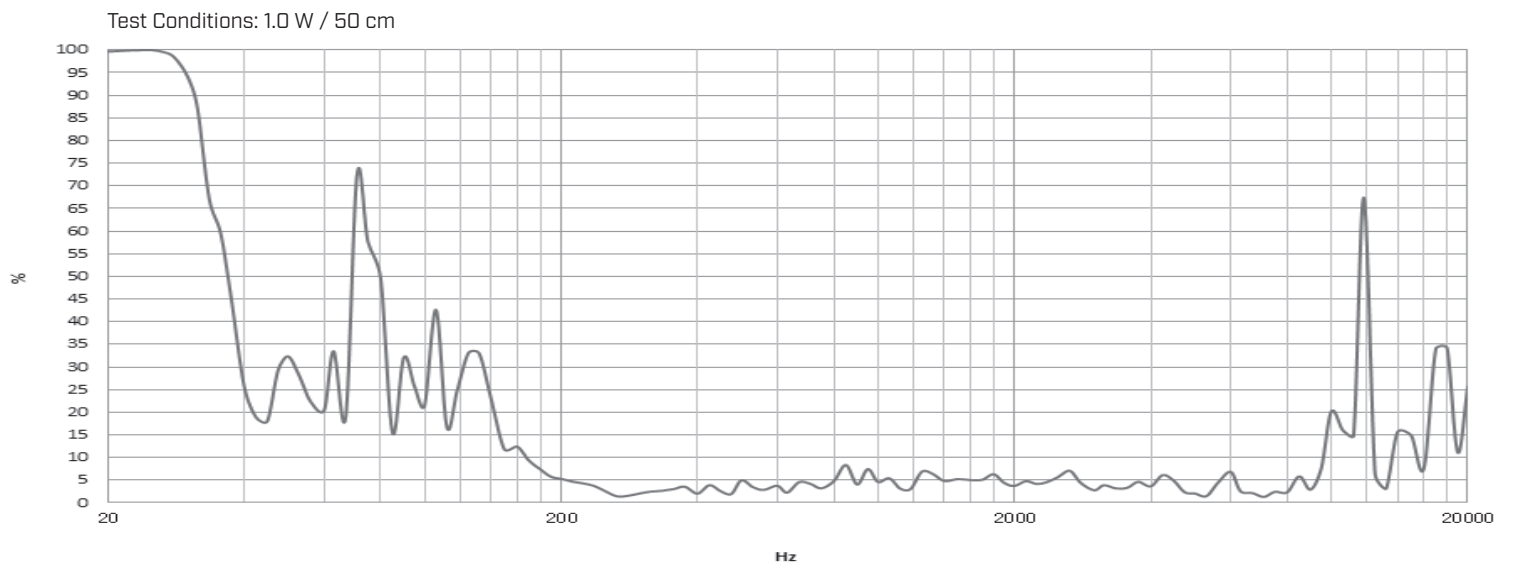


RESPONSE CURVES

Frequency Response Curve



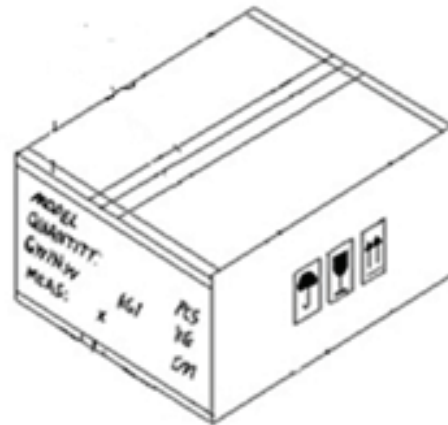
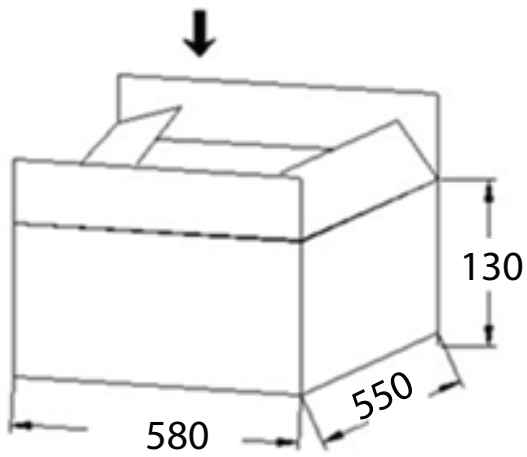
Total Harmonic Distortion Curve



PACKAGING

units: mm

Carton Size: 580 x 550 x 130 mm
Carton QTY: 50 pcs per carton



REVISION HISTORY

rev.	description	date
1.0	initial release	07/16/2020
1.01	logo, datasheet style update	08/05/2022

The revision history provided is for informational purposes only and is believed to be accurate.



CUI Devices offers a one (1) year limited warranty. Complete warranty information is listed on our website.

CUI Devices reserves the right to make changes to the product at any time without notice. Information provided by CUI Devices is believed to be accurate and reliable. However, no responsibility is assumed by CUI Devices for its use, nor for any infringements of patents or other rights of third parties which may result from its use.

CUI Devices products are not authorized or warranted for use as critical components in equipment that requires an extremely high level of reliability. A critical component is any component of a life support device or system whose failure to perform can be reasonably expected to cause the failure of the life support device or system, or to affect its safety or effectiveness.

cuidevices.com