

CGB2A1X6S0G105M033BC

TDK Item Description : CGB2A1X6S0G105MT****

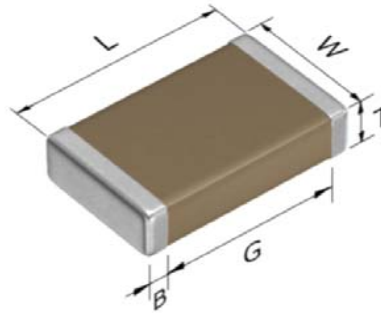


Application & Main Feature

Commercial Grade (Low Profile)

Series

CGB2(1005) [EIA CC0402]



Dimensions

- L 1.00mm +/-0.05mm
- W 0.50mm +/-0.05mm
- T 0.30mm +/-0.03mm
- B 0.10mm Min.
- G 0.30mm Min.

Temperature Characteristic

X6S (-55 to 105 degC +/-22%)

Rated Voltage

0G (4Vdc)

Capacitance

1uF

Capacitance Tolerance

M (+/-20%)

Dissipation Factor

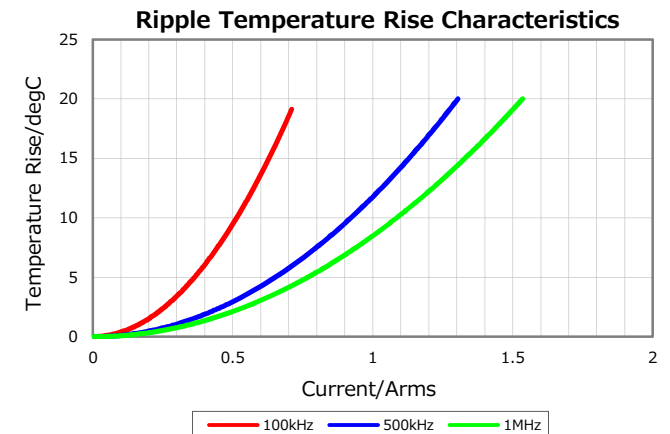
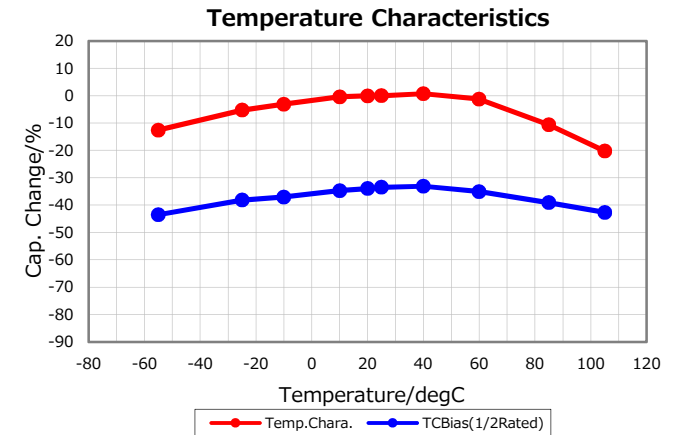
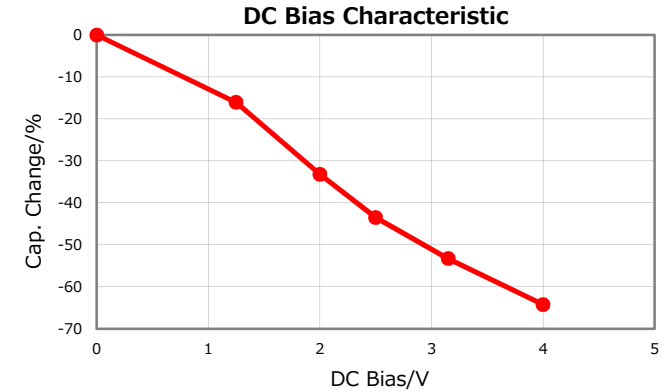
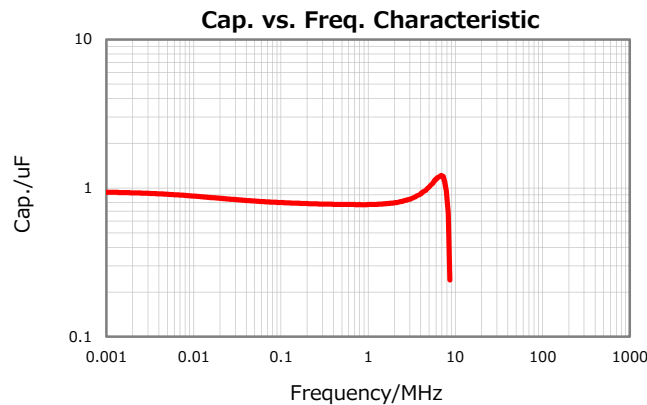
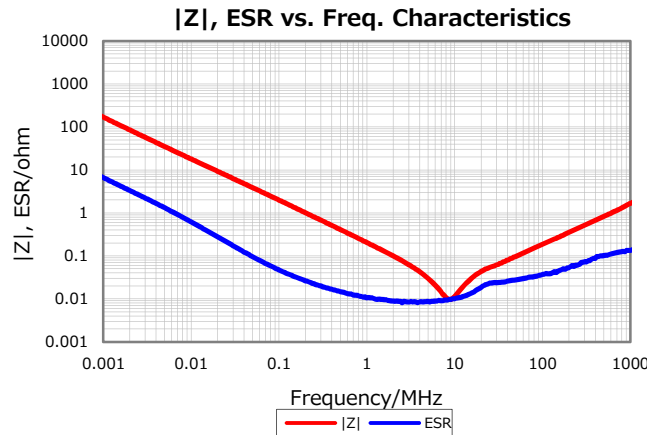
10% Max.

Insulation Resistance

100Mohm Min.

AEC-Q200

Not Applicable



Characterization Sheet (Multilayer Ceramic Chip Capacitors)



All specifications are subject to change without notice.

November 26, 2018