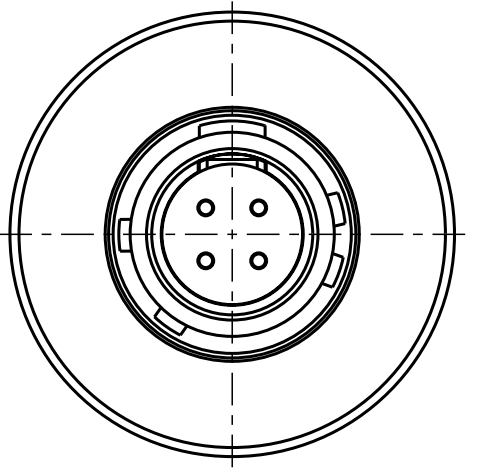


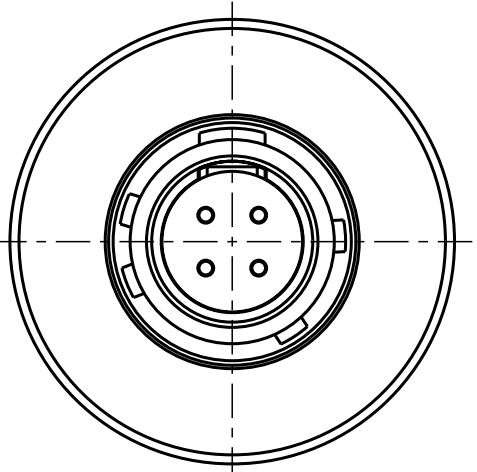
For these Unterlage behalten wir uns alle Rechte vor, auch für den Fall der Patentverletzung oder Gebrauchsmusterinfraktion. Sie darf ohne unsere vorherige schriftliche Zustimmung weder vervielfältigt noch sonstwie benutzt, nach Dritten zugänglich gemacht werden.
 Nur rot gestempelte oder auf Laufkarte gedruckte Dokumente unterliegen dem Änderungsdienst und sind zur Fertigung freigegeben. Only red stamped or on jobcard printed documents are managed. These documents are approved for production.
 All Rights reserved, including possible patents or trademarks. Documents shall not be provided to a third party or duplicated in any form without prior written permission.

CAD: Pro/ENGINEER

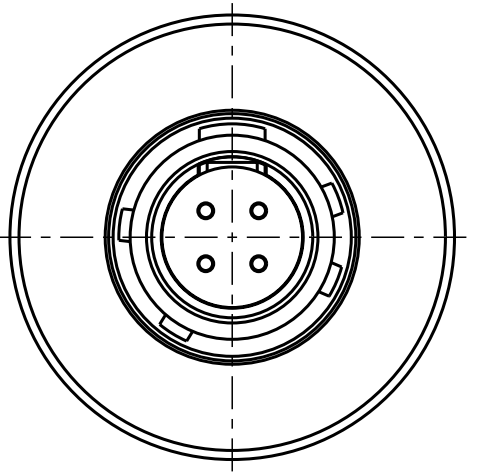
Additional coding
View in direction B



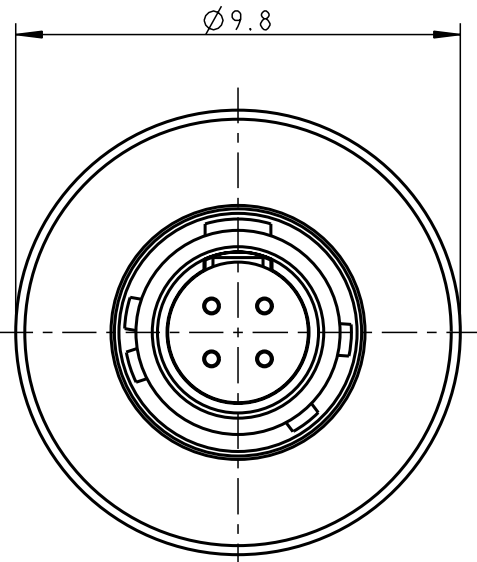
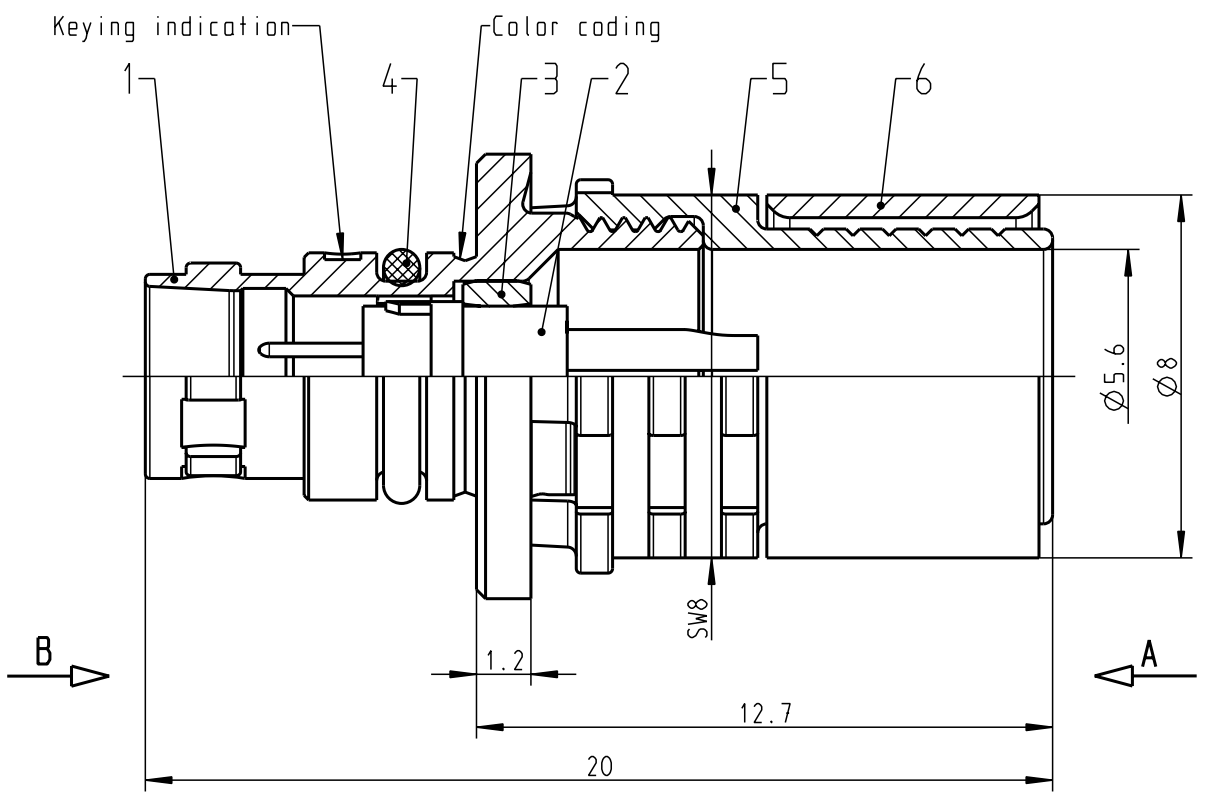
A1CWBM-PU4XBMO-0000
Mechanical coding: B
Color coding: red



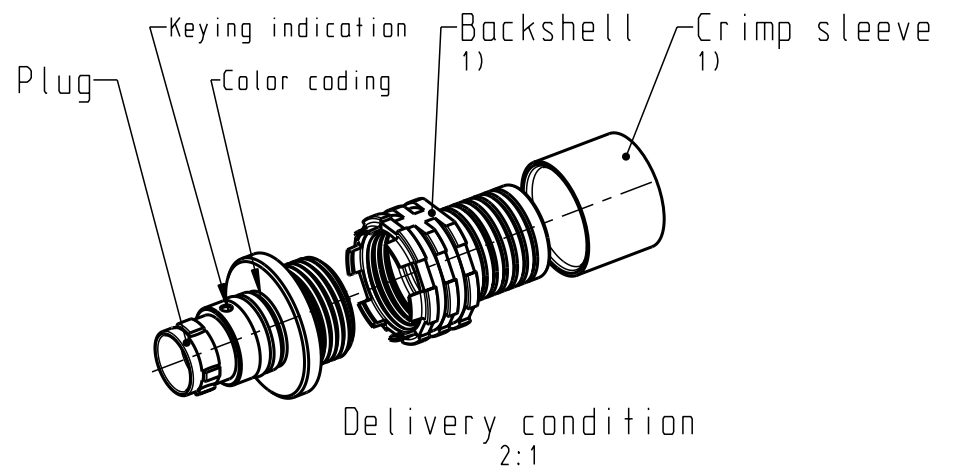
A1CWM-PU4XBMO-0000
Mechanical coding: C
Color coding: blue



A1CWD-PU4XBMO-0000
Mechanical coding: D
Color coding: green



A1CWAM-PU4XBMO-0000
Mechanical coding: A
Color coding: light brown

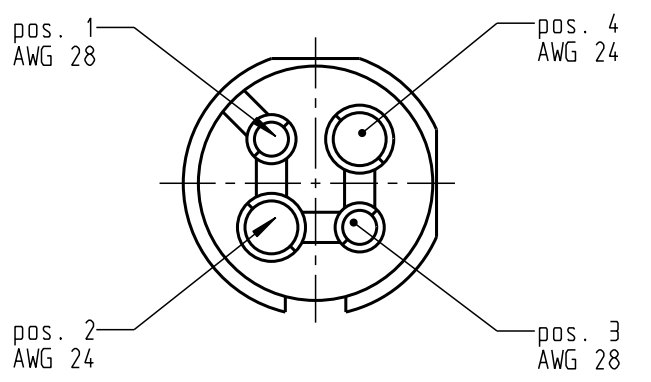


Delivery condition
2:1

Connection diagram			
pos	name	color	description
1	D-	white(gold*)	Data-
2	VBUS	red	+5V
3	D+	green	Data+
4	GND	black(blue*)	Ground

*some manufacturers use

Only insert
View in direction A
10:1



Technical information

- Max. cable Ø5.0mm (Based on cable with one braided shield)
- Solder contacts: AWG 24/AWG 28
- Current load: 3A@±40° (Single contact, AWG24)
1A@±40° (Single contact, AWG28))
- Test voltage: 750V (acc. SAE AS 13441:1998, Contact to contact)
- Rated voltage: 250V (acc. SAE AS 13441:1998) 2)

- 1) For crimp information, torque, etc. see assembly instruction 010.650.001.000.001 (www.odu.de/downloads)
- 2) Maximal operating voltage at sea level up to 2.000 m. Rated voltage applies no other electrical safety standard. In case other standards rule a specific use of the connector, the application specific safety criteria shall be considered first. This must be evaluated in the frame of equipment engineering.

All shown connectors are according to DIN EN 61984:2009 connectors without breaking capacity (COC)!

index				notice		date		name		General tolerances to DIN ISO 2768-mK Toleration to DIN ISO 8015		PE-modell-nr.: 00058438		CAD-nr.: 00058438		sheet.: 6:1	
				2014		date		name		designation:		Break-Away Plug		scale:		6:1	
				prep.		13.11.		Aigner				drawing nr.:		A1CW.M-PU4XBMO-0000		copy	
				app.								replacement for:				nr.	
				norm.													

