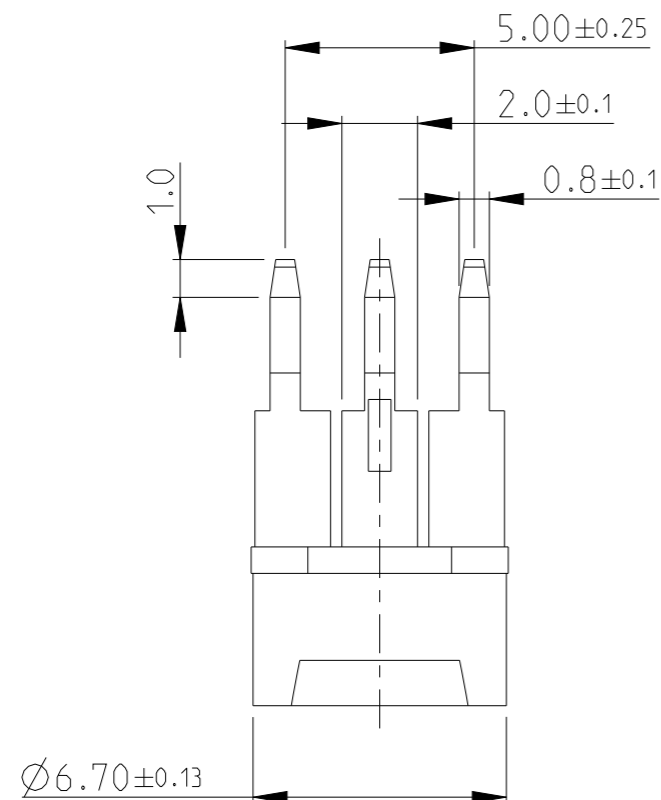
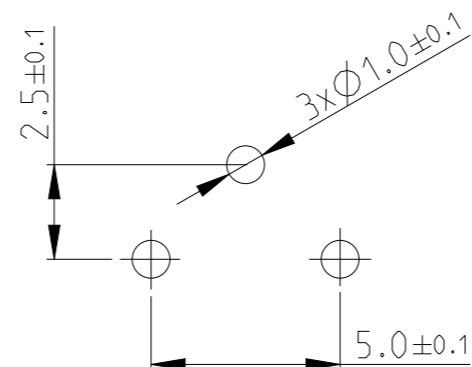


P	LTR	DESCRIPTION	DATE	DWN	APVD
	BA	NEW RELEASE	29JUL2008	SM	St.P
	BA1	OBSOLETE	25MAR2022	DM	AP
	BA2	RELEASED	07APR2022	DM	AP

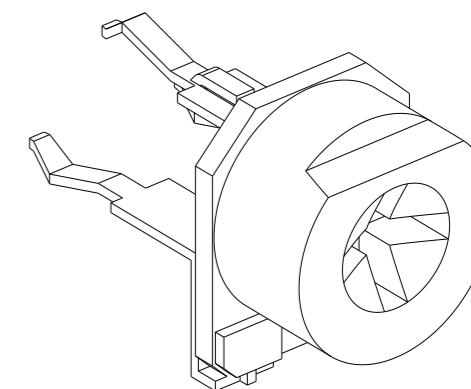
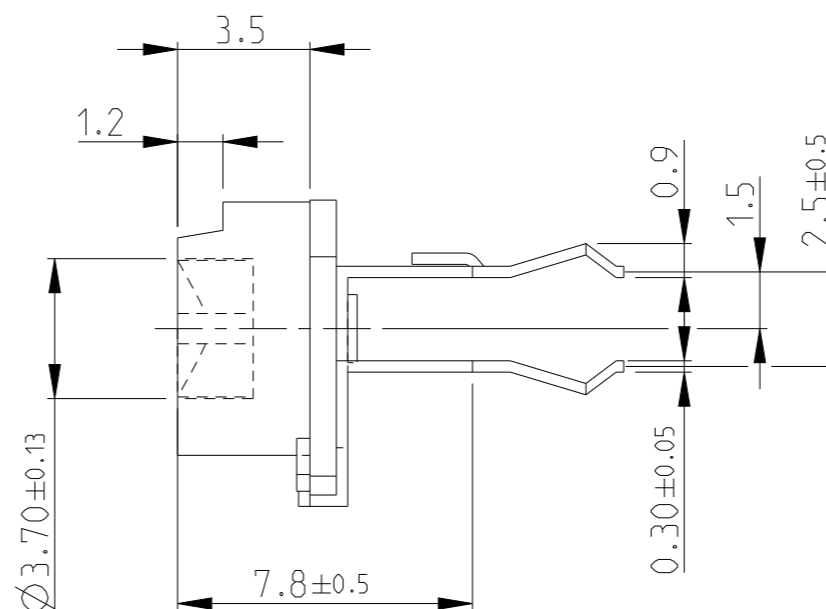
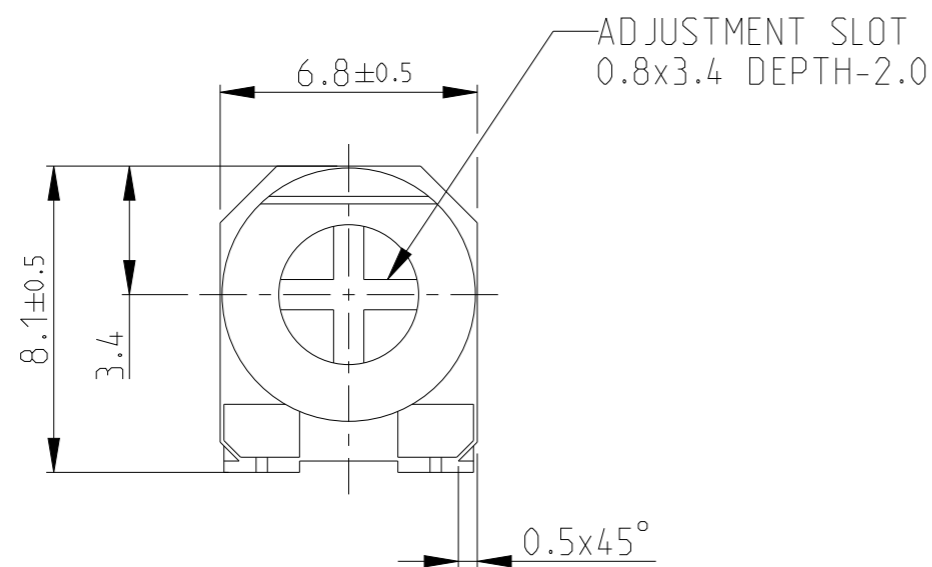


PCB PIERCING PLAN



FOR FURTHER INFORMATION SEE DATA SHEET FOR 416 SERIES-ECONOMY TRIMMERS

RoHS Compliant



THIS DRAWING IS A CONTROLLED DOCUMENT.

DWN	SUBHASH	29JUL2008
CHK	PRAKASH	29JUL2008
APVD	STEPHEN.P	29JUL2008



DIMENSIONS:	TOLERANCES UNLESS OTHERWISE SPECIFIED:
mm	
	0 PLC ±0.5
	1 PLC ±0.2
	2 PLC ±0.1
	3 PLC ±
	4 PLC ±
	ANGLES ±5°
MATERIAL	FINISH
-	-
-	-

NAME	ECONOMY TRIMMERS SERIES 416P
PRODUCT SPEC	-
APPLICATION SPEC	-
WEIGHT	-
CUSTOMER DRAWING	

SIZE	A3	CAGE CODE	00779	DRAWING NO	©=1623894	RESTRICTED TO	-
SCALE	5:1	SHEET	1 OF 1	REV	BA2		