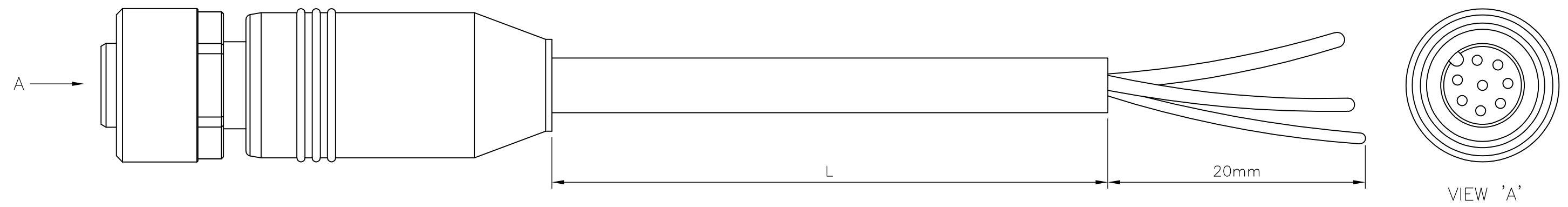


THIS DRAWING IS UNPUBLISHED. RELEASED FOR PUBLICATION
 © COPYRIGHT - By - ALL RIGHTS RESERVED.

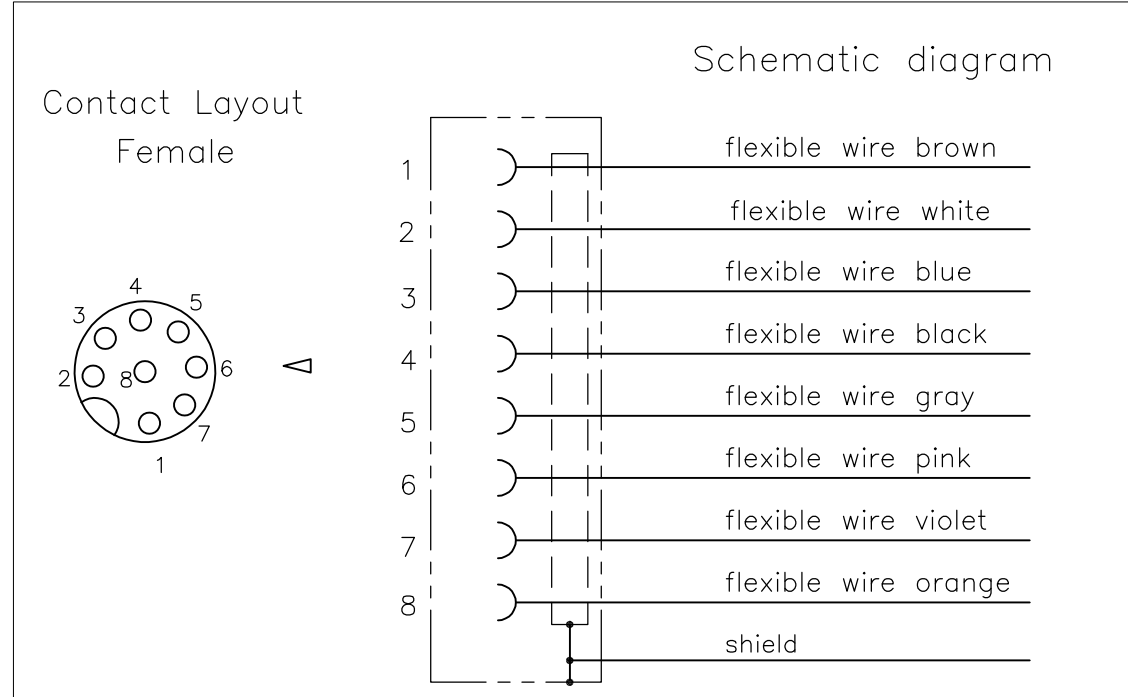
LOC	DIST	REVISIONS					
		P	LTR	DESCRIPTION	DATE	DWN	APVD
H	-		A	INITIAL RELEASE	16NOV2013	YC	BvH
			A1	ECR-14-011671	16AUG2014	GSK	BvH

NOTES:
 Tolerances cable lengths:
 0m to 0.5m +30mm
 0.5m to 1.0m +50mm
 1.0m to 3.0m +100mm
 < 3.0m +1.5%



TECHNICAL DATA	
Operating voltage	max. 30 V AC/DC
Operating current per contact	max. 2 A
Locking of ports	Screw thread M12 x 1 mm (recommended torque 0.6 Nm) self-securing
Protection	IP65 and IP67 when plugged and screwed down (EN 60529)

PUR CABLE	
No./diameter of wires	8 x 0.25 mm ²
Wire isolation	PP (br, wh, bl, bk, gr, pk, vi, or)
C-track properties	2 million
Jacket	PUR (UL/CSA)
Outer diameter	approx. 7.0 mm
Bend radius (moving)	10 x outer diameter
Temperature range (fixed)	-40...+80 °C
Temperature range (mobile)	-20...+80 °C



8 pos	LENGTH "L"	MATERIAL	JACKET COLOR	TE PN	DESCRIPTION	ITEM
	10mtr	PUR	Grey	2273049-4	8x24AWG PUR 10.0m	4
	5mtr			2273049-3	8x24AWG PUR 5.0m	3
	3mtr			2273049-2	8x24AWG PUR 3.0m	2
	1.5mtr			2273049-1	8x24AWG PUR 1.5m	1

THIS DRAWING IS A CONTROLLED DOCUMENT.		DWN YATHISH.C 16NOV2013	TE Connectivity			
		CHK B.VELDHOVEN 16NOV2013				
		APVD A.VAN ZANDVOORT 16NOV2013	NAME M12 X 1.0 STRAIGHT SOCKET PIGT SHLD A			
DIMENSIONS: mm 		PRODUCT SPEC 108-19483				
TOLERANCES UNLESS OTHERWISE SPECIFIED: 0 PLC ± - 1 PLC ± - 2 PLC ± - 3 PLC ± - 4 PLC ± - ANGLES ± -		APPLICATION SPEC 114-32127	SIZE A3	CAGE CODE 00779	DRAWING NO C-2273049	RESTRICTED TO -
MATERIAL -		FINISH -	WEIGHT -	CUSTOMER DRAWING		SCALE NTS
		SHEET 1 OF 1		REV A1		