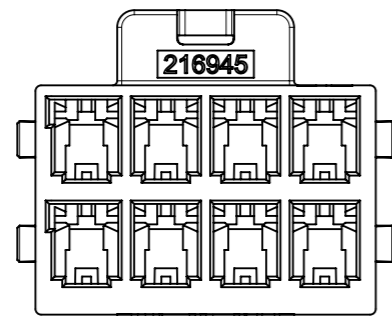
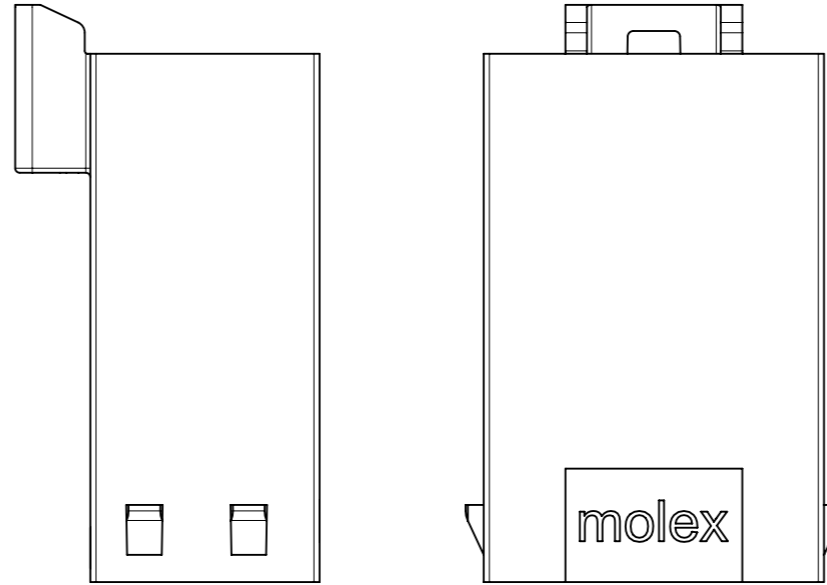
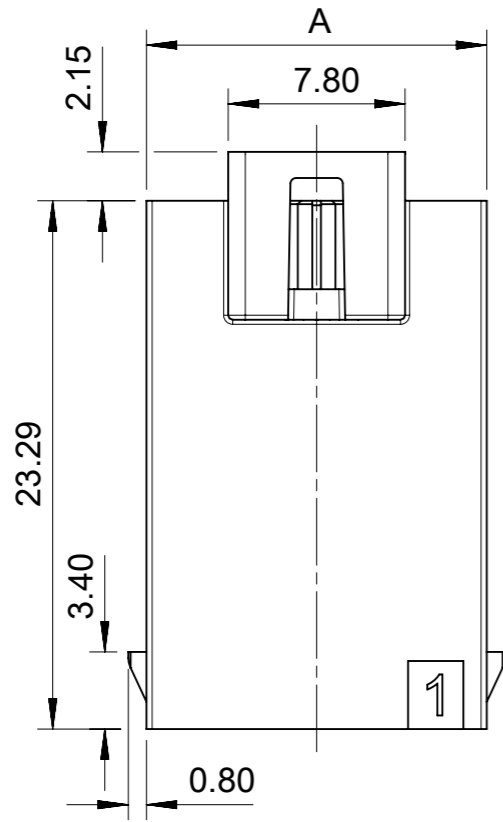


# FREE HANGING PLUG PARTS

PART NUMBER	CIRCUIT SIZE	DIM 'A'	COLOR	TYPE
216945-3004	4	8.0	BLACK	FREE HANGING
216945-3006	6	11.5		
216945-3008	8	15.0		
216945-3010	10	18.5		
216945-3012	12	22.0		
216945-3014	14	25.5		
216945-3016	16	29.0	NATURAL	
216945-4004	4	8.0		
216945-4006	6	11.5		
216945-4008	8	15.0		
216945-4010	10	18.5		
216945-4012	12	22.0		
216945-4014	14	25.5		
216945-4016	16	29.0		

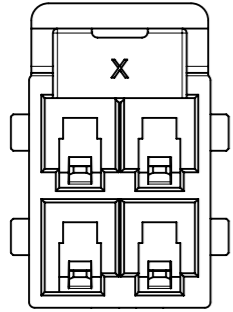


COLOR FEATURE	
BLACK	NATURAL
<p>KEY A FOR BLACK COLOR PARTS</p>	<p>KEY B FOR NATURAL COLOR PARTS</p>

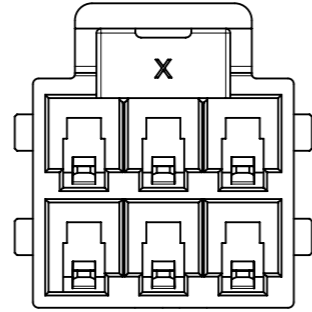
- NOTES:
1. MATERIAL: PA66, 94V-0, BLACK AND NATURAL.
  2. PRODUCT SPECIFICATION: 2169461000-PS.
  3. PACKAGE SPECIFICATION: 2169451000-PK.
  4. TO USE WITH TERMINAL OF 216946-\*\*\*\*.
  5. TO USE WITH TPA OF 172264-\*\*\*\*.
  6. TO MATE WITH RECEPTACLE OF 172258-\*\*\*\*.
  7. PARTS CONFORM TO CLASS 'B' REQUIREMENTS OF COSMETIC SPECIFICATION PS-45499-002.

THIS DRAWING CONTAINS INFORMATION THAT IS PROPRIETARY TO MOLEX ELECTRONIC TECHNOLOGIES, LLC AND SHOULD NOT BE USED WITHOUT WRITTEN PERMISSION		CURRENT REV DESC:			
DIMENSION UNITS	SCALE				
mm	NTS			PLUG HOUSING OF ULTRA-FIT WTW DR POWER CONNECTOR	
GENERAL TOLERANCES (UNLESS SPECIFIED)				PRODUCT CUSTOMER DRAWING	
ANGULAR TOL	± °			DOCUMENT NUMBER	
4 PLACES	±	EC NO: 726545	2022/10/31	2169451000-SD	
3 PLACES	±	DRWN: LEOW	2022/11/01	DOC TYPE	DOC PART
2 PLACES	± 0.2	CHK'D: EDUGGER	2022/11/01	PSD	000
1 PLACE	±	APPR: EDUGGER	2022/11/01	REVISION	
0 PLACES	±	INITIAL REVISION:		A	
DRAFT WHERE APPLICABLE MUST REMAIN WITHIN DIMENSIONS		DRWN: GLLI	2021/07/06		
THIRD ANGLE PROJECTION		APPR: EDUGGER	2022/11/01		
DRAWING		SERIES	MATERIAL NUMBER	CUSTOMER	
A3-SIZE		216945	SEE TABLE	GENERAL MARKET	
				SHEET NUMBER	
				1 OF 6	

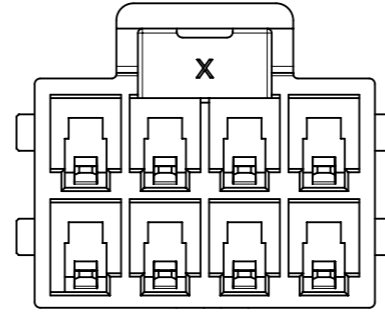
# FREE HANGING PLUG PARTS



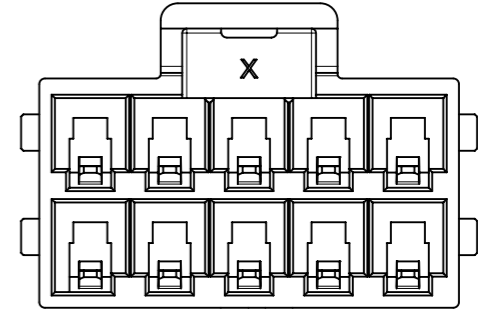
4CKT



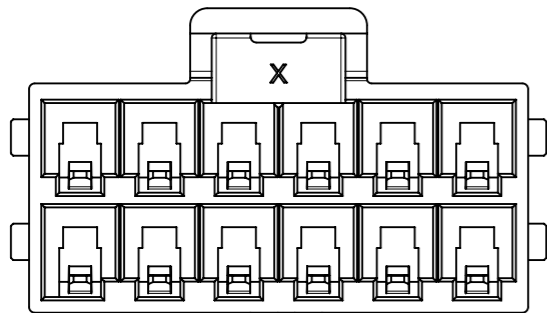
6CKT



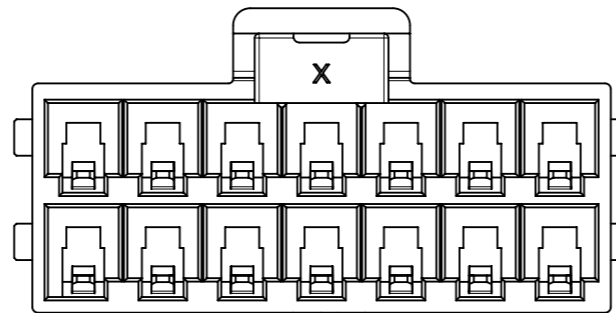
8CKT



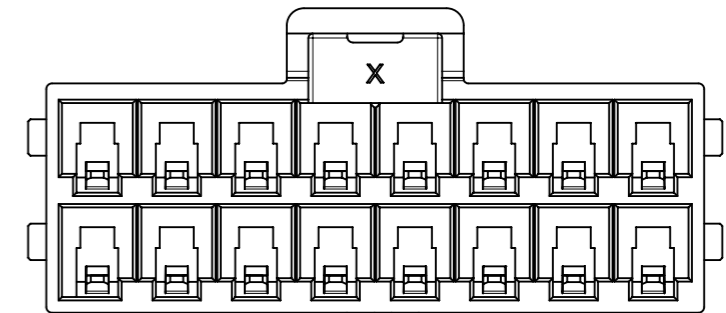
10CKT



12CKT



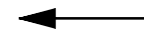
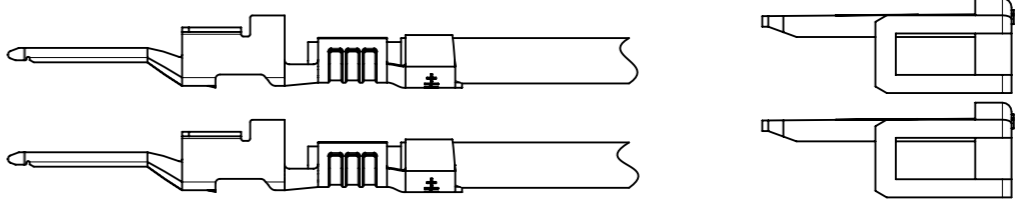
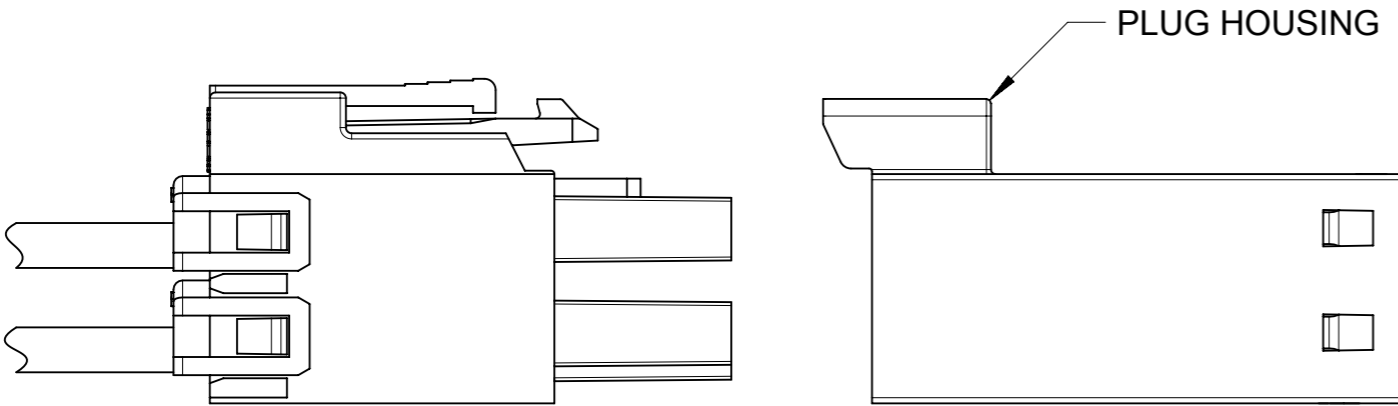
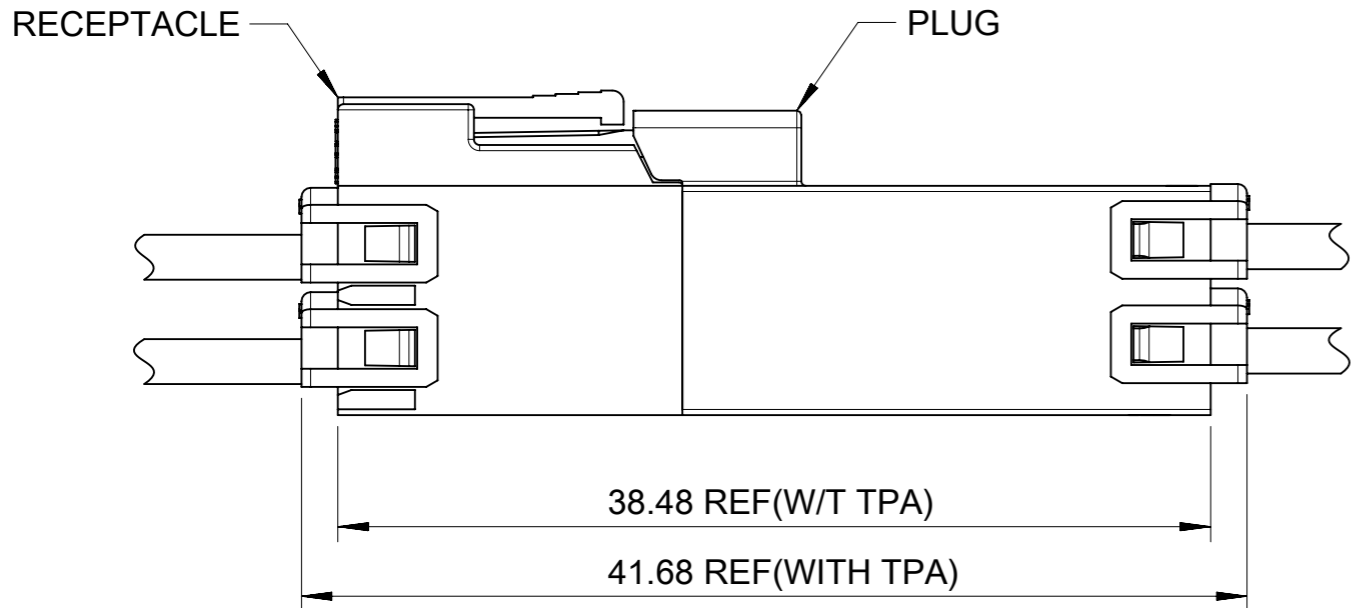
14CKT



16CKT

THIS DRAWING CONTAINS INFORMATION THAT IS PROPRIETARY TO MOLEX ELECTRONIC TECHNOLOGIES, LLC AND SHOULD NOT BE USED WITHOUT WRITTEN PERMISSION										
DIMENSION UNITS	SCALE	CURRENT REV DESC:					<b>molex</b>			
mm	NTS									
GENERAL TOLERANCES (UNLESS SPECIFIED)							PLUG HOUSING OF ULTRA-FIT WTW DR POWER CONNECTOR			
ANGULAR TOL ± °							PRODUCT CUSTOMER DRAWING			
4 PLACES	±	EC NO: 726545				DOCUMENT NUMBER				
3 PLACES	±	DRWN: LEOW	2022/10/31			2169451000-SD				
2 PLACES	± 0.2	CHK'D: EDUGGER	2022/11/01			DOC TYPE DOC PART REVISION				
1 PLACE	±	APPR: EDUGGER	2022/11/01			PSD 000 A				
0 PLACES	±	INITIAL REVISION:				MATERIAL NUMBER CUSTOMER SHEET NUMBER				
DRAFT WHERE APPLICABLE MUST REMAIN WITHIN DIMENSIONS		THIRD ANGLE PROJECTION	DRAWING	SERIES	MATERIAL NUMBER	CUSTOMER	SHEET NUMBER			
			A3-SIZE	216945	SEE TABLE	GENERAL MARKET	2 OF 6			

# FREE HANGING PLUG PARTS

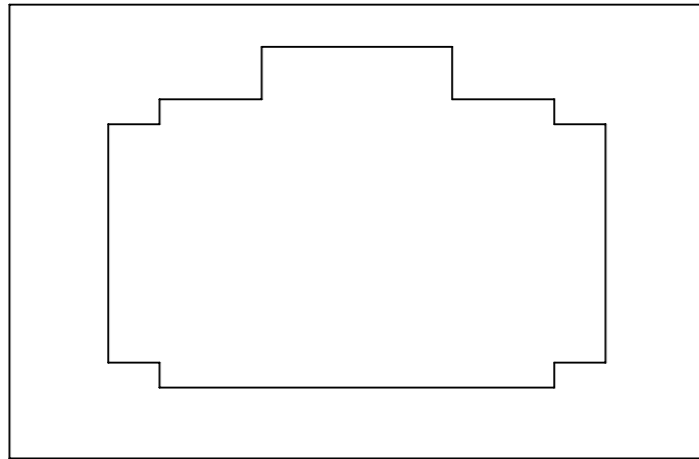
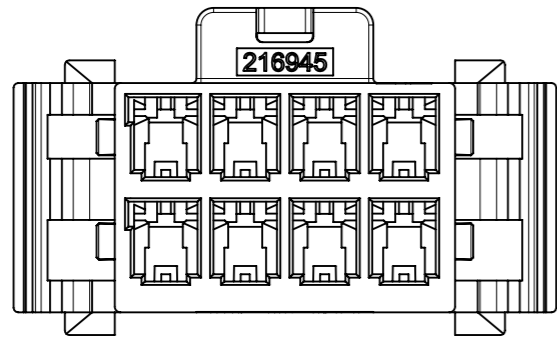
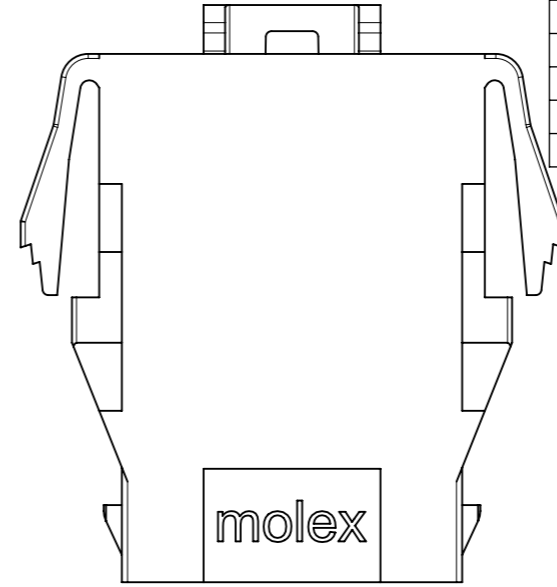
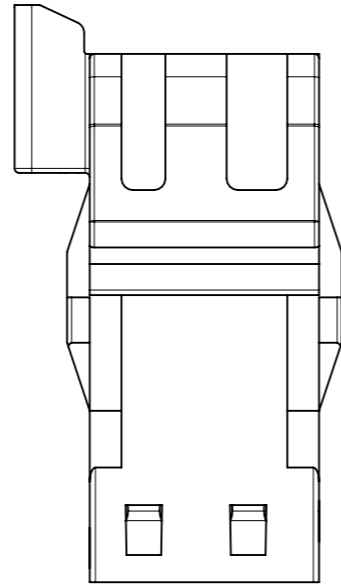
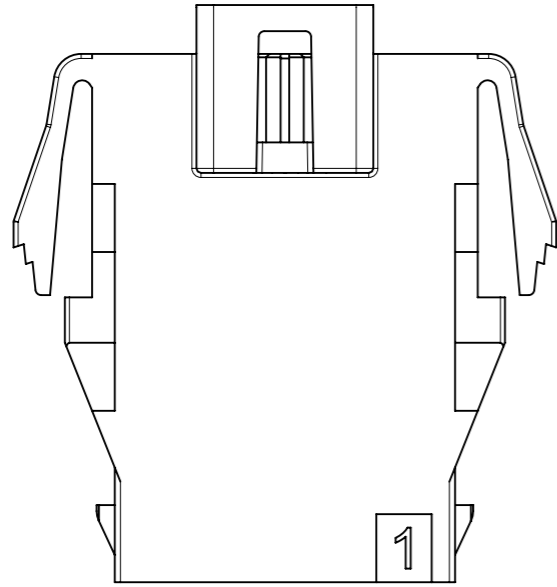


PLUG TERMINAL AND TPA ORIENTATION

THIS DRAWING CONTAINS INFORMATION THAT IS PROPRIETARY TO MOLEX ELECTRONIC TECHNOLOGIES, LLC AND SHOULD NOT BE USED WITHOUT WRITTEN PERMISSION													
DIMENSION UNITS		SCALE		CURRENT REV DESC:				<b>molex</b>					
mm		NTS											
GENERAL TOLERANCES (UNLESS SPECIFIED)				EC NO: 726545 DRWN: LEOW 2022/10/31 CHK'D: EDUGGER 2022/11/01 APPR: EDUGGER 2022/11/01 INITIAL REVISION: DRWN: GLLI 2021/07/06 APPR: EDUGGER 2022/11/01				PLUG HOUSING OF ULTRA-FIT WTW DR POWER CONNECTOR					
ANGULAR TOL ± °								PRODUCT CUSTOMER DRAWING					
4 PLACES ±								DOCUMENT NUMBER		DOC TYPE		DOC PART	
3 PLACES ±								2169451000-SD		PSD		000	
2 PLACES ± 0.2								REVISION				A	
1 PLACE ±								MATERIAL NUMBER		CUSTOMER		SHEET NUMBER	
0 PLACES ±				SEE TABLE		GENERAL MARKET		3 OF 6					
DRAFT WHERE APPLICABLE MUST REMAIN WITHIN DIMENSIONS				THIRD ANGLE PROJECTION		DRAWING		SERIES					
						A3-SIZE		216945					

# PANEL MOUNT PLUG PARTS

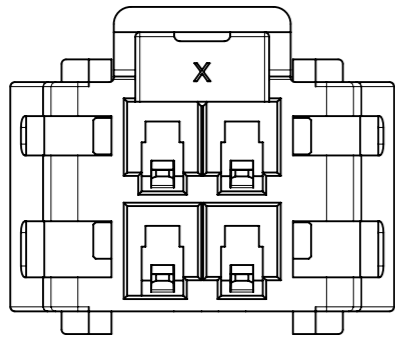
PART NUMBER	CIRCUIT SIZE	DIM 'A'	DIM 'B'	COLOR	TYPE
216945-3104	4	8.0	16.92	BLACK	PANEL MOUNT
216945-3106	6	11.5	20.42		
216945-3108	8	15.0	23.92		
216945-3110	10	18.5	27.42		
216945-3112	12	22.0	30.92		
216945-3114	14	25.5	34.42		
216945-4104	4	8.0	16.92	NATURAL	
216945-4106	6	11.5	20.42		
216945-4108	8	15.0	23.92		
216945-4110	10	18.5	27.42		
216945-4112	12	22.0	30.92		
216945-4114	14	25.5	34.42		
216945-4116	16	29.0	37.92		



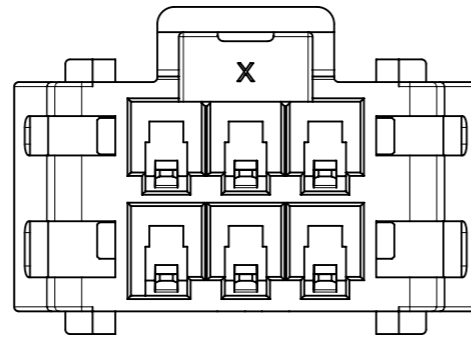
COLOR FEATURE	
BLACK	NATURAL
<p>KEY A FOR BLACK COLOR PARTS</p>	<p>KEY B FOR NATURAL COLOR PARTS</p>

THIS DRAWING CONTAINS INFORMATION THAT IS PROPRIETARY TO MOLEX ELECTRONIC TECHNOLOGIES, LLC AND SHOULD NOT BE USED WITHOUT WRITTEN PERMISSION									
DIMENSION UNITS	SCALE	CURRENT REV DESC:							
mm	NTS	<p>PLUG HOUSING OF ULTRA-FIT WTW DR POWER CONNECTOR</p> <p>PRODUCT CUSTOMER DRAWING</p>							
GENERAL TOLERANCES (UNLESS SPECIFIED)									
ANGULAR TOL	± °								
4 PLACES	±								
3 PLACES	±								
2 PLACES	± 0.2								
1 PLACE	±	EC NO: 726545	2022/10/31		DOCUMENT NUMBER				
0 PLACES	±	DRWN: LEOW	2022/11/01		2169451000-SD		DOC TYPE	DOC PART	REVISION
DRAFT WHERE APPLICABLE MUST REMAIN WITHIN DIMENSIONS		THIRD ANGLE PROJECTION	DRAWING	SERIES	MATERIAL NUMBER	CUSTOMER	SHEET NUMBER		
			A3-SIZE	216945	SEE TABLE	GENERAL MARKET	4 OF 6		

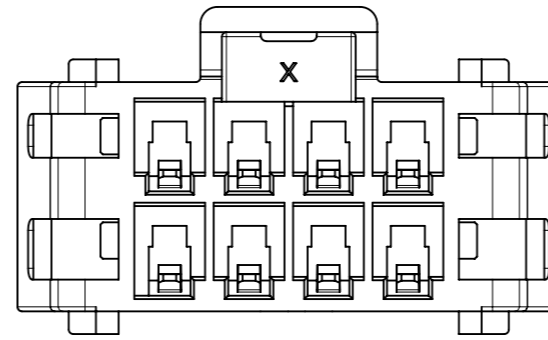
# PANEL MOUNT PLUG PARTS



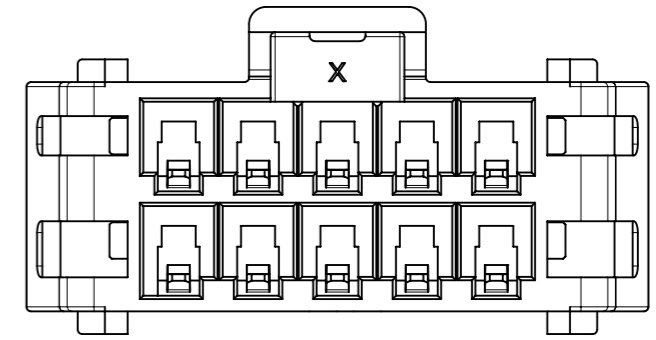
4 CKT



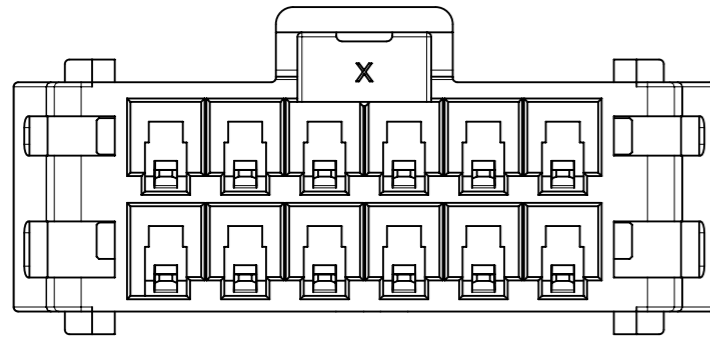
6 CKT



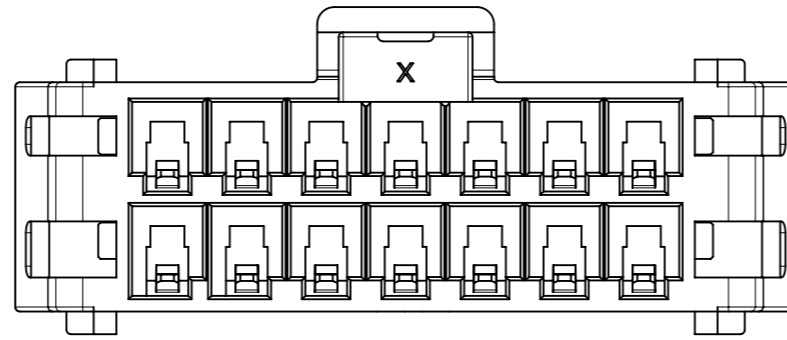
8 CKT



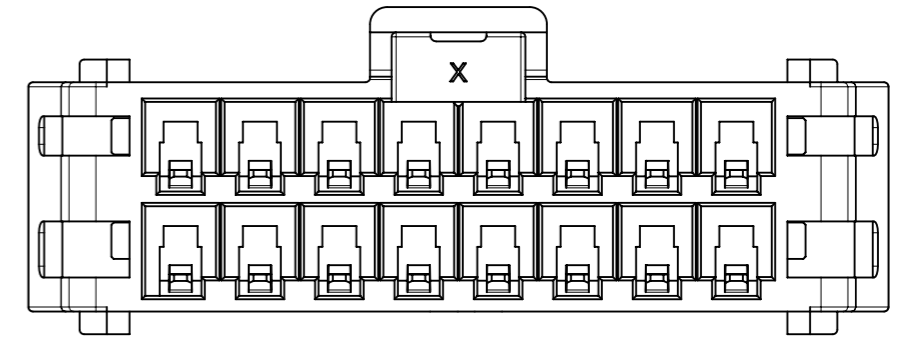
10 CKT



12 CKT



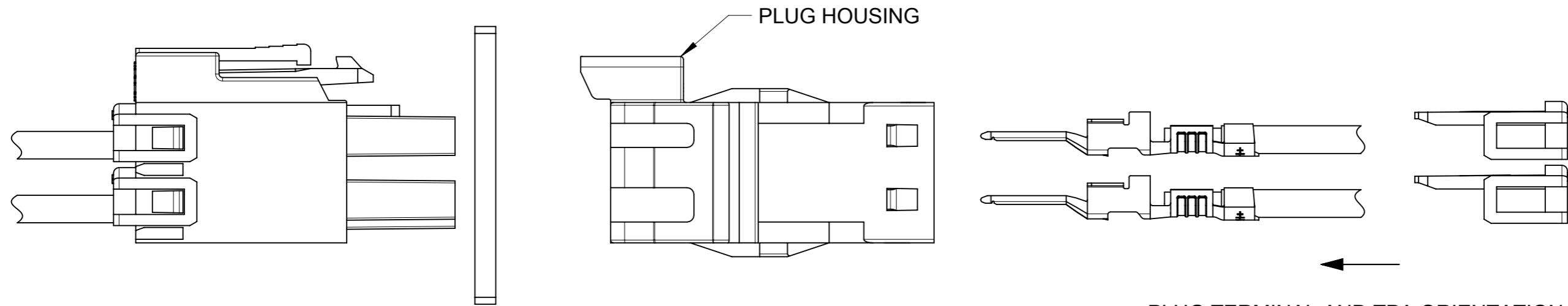
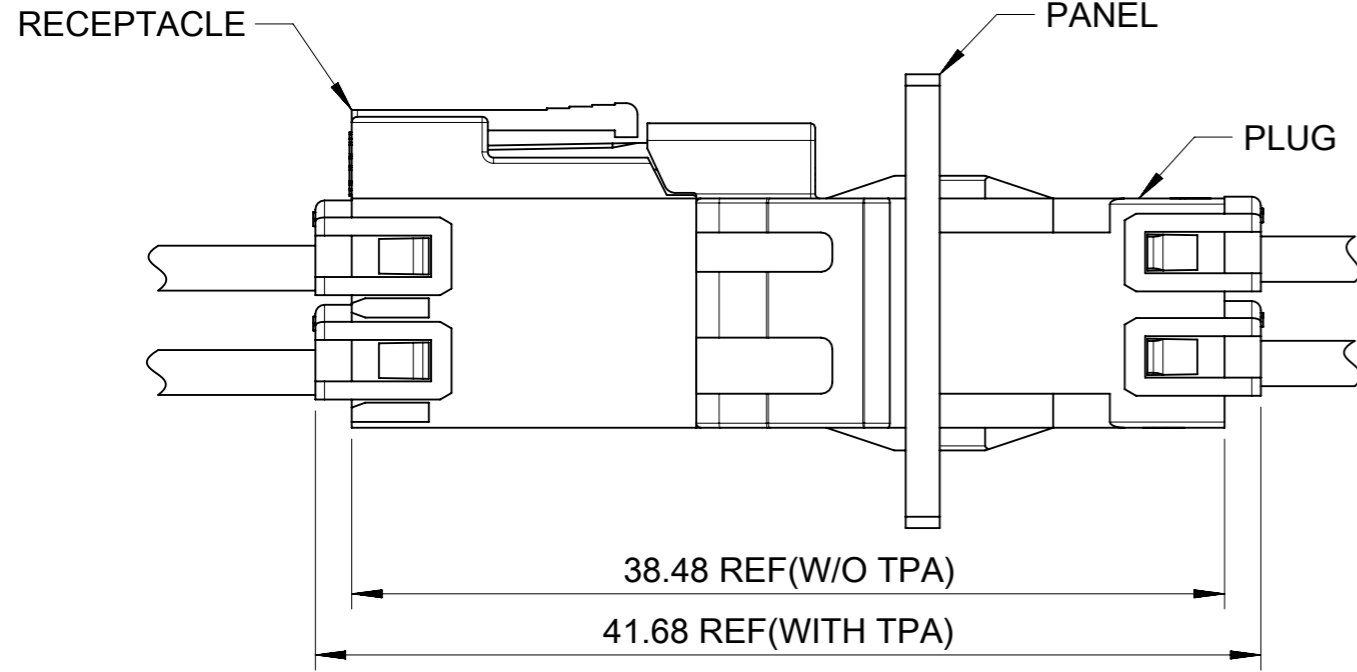
14 CKT



16 CKT

THIS DRAWING CONTAINS INFORMATION THAT IS PROPRIETARY TO MOLEX ELECTRONIC TECHNOLOGIES, LLC AND SHOULD NOT BE USED WITHOUT WRITTEN PERMISSION										
DIMENSION UNITS	SCALE	CURRENT REV DESC:								
mm	NTS									
GENERAL TOLERANCES (UNLESS SPECIFIED)		EC NO: 726545			PLUG HOUSING OF ULTRA-FIT WTW DR POWER CONNECTOR					
ANGULAR TOL	±	°			PRODUCT CUSTOMER DRAWING					
4 PLACES	±	DRWN: LEOW			2022/10/31					
3 PLACES	±	CHK'D: EDUGGER			2022/11/01					
2 PLACES	±	APPR: EDUGGER			2022/11/01					
1 PLACE	±	INITIAL REVISION:			DOCUMENT NUMBER					
0 PLACES	±	DRWN: GLLI			2021/07/06					
DRAFT WHERE APPLICABLE MUST REMAIN WITHIN DIMENSIONS		THIRD ANGLE PROJECTION		DRAWING	SERIES	MATERIAL NUMBER	CUSTOMER	DOC TYPE	DOC PART	REVISION
				A3-SIZE	216945	2169451000-SD	GENERAL MARKET	PSD	000	A
						SEE TABLE				SHEET NUMBER
										5 OF 6

# PANEL MOUNT PLUG PARTS



THIS DRAWING CONTAINS INFORMATION THAT IS PROPRIETARY TO MOLEX ELECTRONIC TECHNOLOGIES, LLC AND SHOULD NOT BE USED WITHOUT WRITTEN PERMISSION													
DIMENSION UNITS		SCALE		CURRENT REV DESC:				<b>molex</b>					
mm		NTS											
GENERAL TOLERANCES (UNLESS SPECIFIED)				EC NO: 726545 DRWN: LEOW 2022/10/31 CHK'D: EDUGGER 2022/11/01 APPR: EDUGGER 2022/11/01 INITIAL REVISION: DRWN: GLLI 2021/07/06 APPR: EDUGGER 2022/11/01				PLUG HOUSING OF ULTRA-FIT WTW DR POWER CONNECTOR					
ANGULAR TOL ± °								PRODUCT CUSTOMER DRAWING					
4 PLACES ±								DOCUMENT NUMBER		DOC TYPE		DOC PART	
3 PLACES ±								2169451000-SD		PSD		000	
2 PLACES ± 0.2								SERIES		CUSTOMER		REVISION	
1 PLACE ±								A3-SIZE		GENERAL MARKET		A	
0 PLACES ±				MATERIAL NUMBER		SHEET NUMBER							
DRAFT WHERE APPLICABLE MUST REMAIN WITHIN DIMENSIONS				THIRD ANGLE PROJECTION		DRAWING		SHEET NUMBER					
						A3-SIZE		6 OF 6					

DOCUMENT STATUS	P1	RELEASE DATE	2022/11/01	13:33:31
-----------------	----	--------------	------------	----------