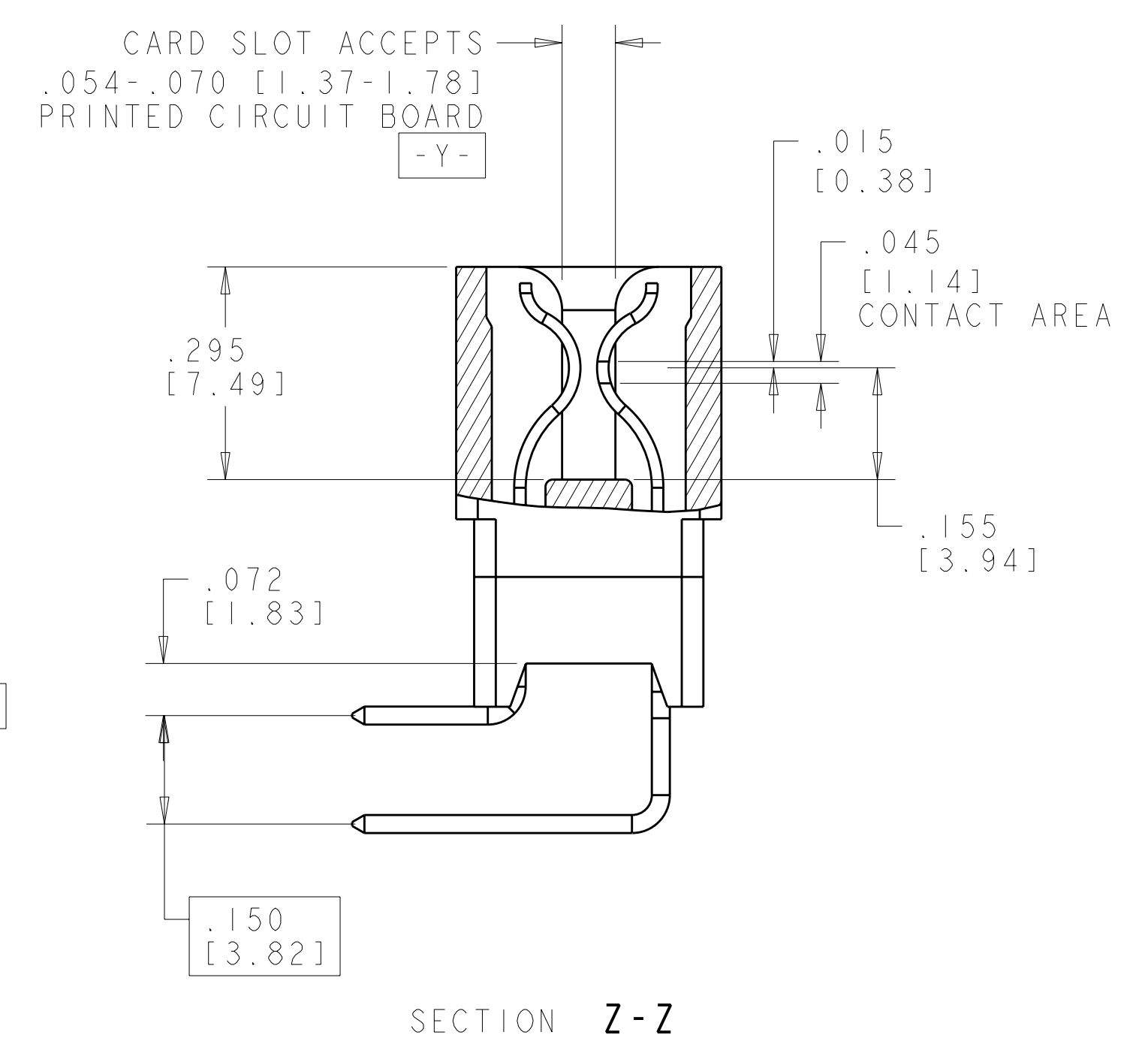
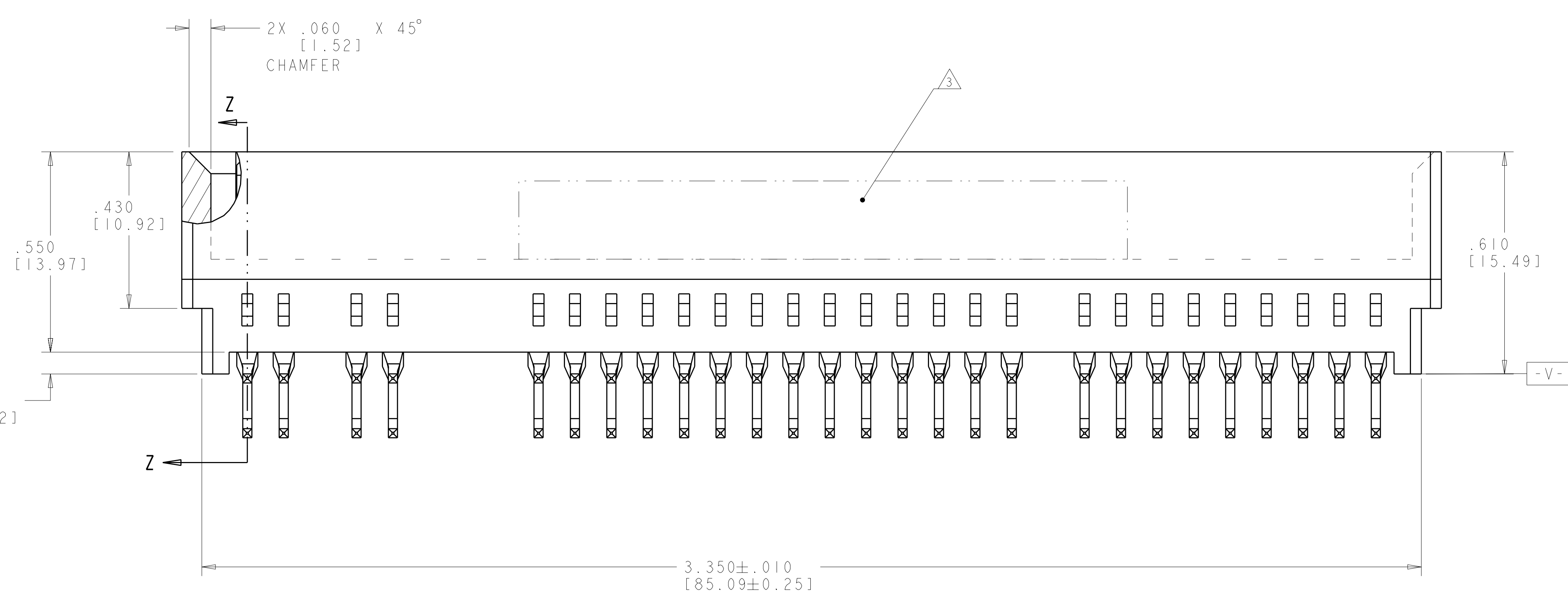
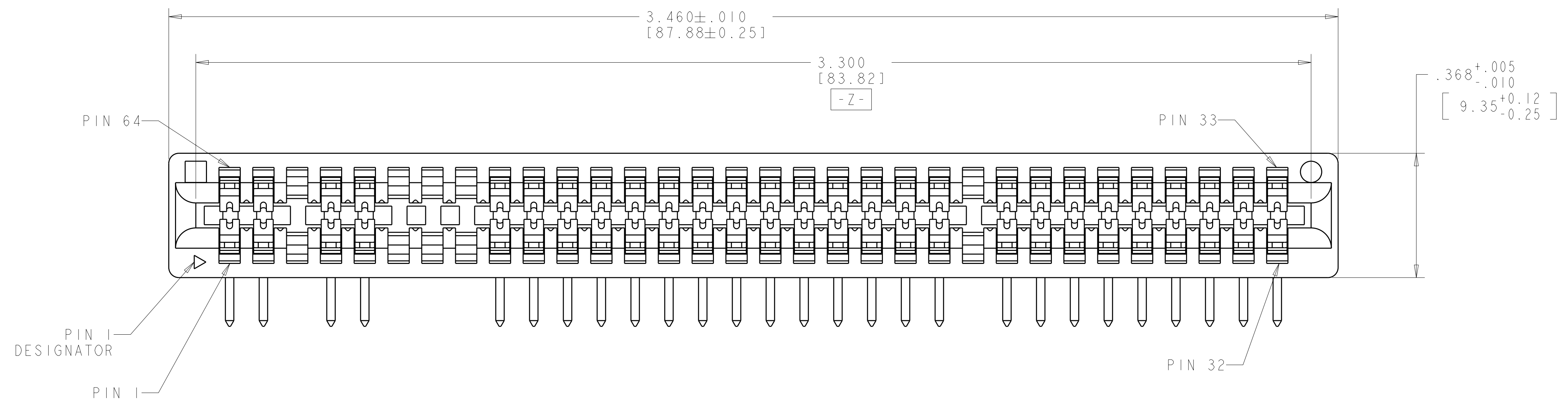


LOC	DIST	REVISIONS			
GP	00	REV	DATE	DWN	APVD
		I	PROPOSED DESIGN	22DEC2009	RG EH



- △ MATERIAL:  
HOUSING: GLASS FILLED POLYESTER, BLACK  
CONTACT: COPPER ALLOY, HIGH CONDUCTIVITY/ HIGH TEMPERATURE
- △ FINISH:  
CONTACT: GOLD PLATE .000015 [0.00038] MIN THK. OVER  
NICKEL .000050 [0.00127] MIN THK.  
COMPLIANT TAILS: MATTE TIN PLATE .000100 [0.00254] MIN THK. OVER  
NICKEL .000050 [0.00127] MIN THK.
- △ PART NUMBER AND DATE CODE MAY BE MARKED IN APPROXIMATE AREA SHOWN. ( EITHER SIDE )
- △ DATUMS PLUS BASIC DIMENSIONS ESTABLISHED BY CUSTOMER.
- 5. MAXIMUM OPERATING TEMPERATURE IS 130°C

THIS PRINT IS  
**PRELIMINARY**  
 UNQUALIFIED PRODUCT  
 CONTACT PRODUCT ENGINEERING  
 BEFORE USING THIS PRINT

3, 6, 7, 8, 23, 42, 57, 59, 62	2132295-1
OMITTED PINS	PART NO.

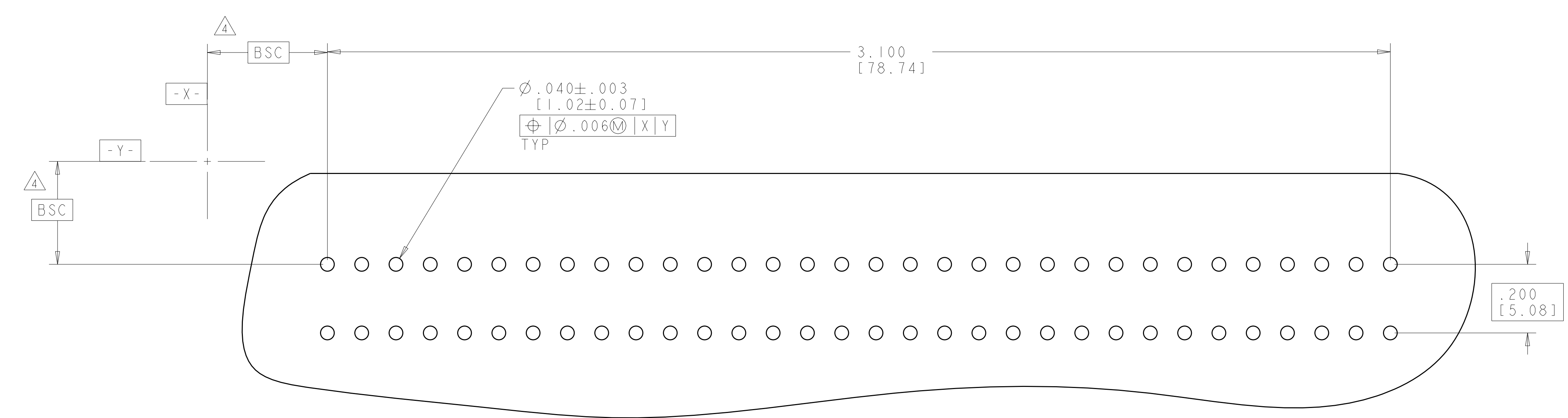
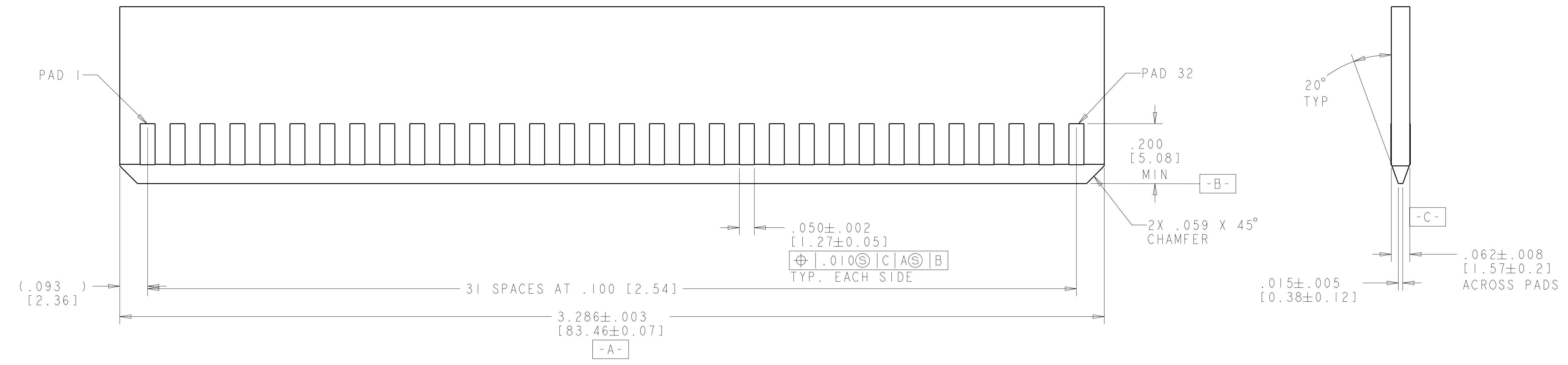
DIMENSIONS: INCHES 9 PLC ± 1 PLC ±.02 [0.51] 5 PLC ±.010 [0.254] 4 PLC ± ANGLES ±.3 MATERIAL △ FINISH △		TOLERANCES UNLESS OTHERWISE SPECIFIED: 9 PLC ± 1 PLC ±.02 [0.51] 5 PLC ±.010 [0.254] 4 PLC ± ANGLES ±.3 MATERIAL △ FINISH △		DWN R. GRZYBOWSKI 22DEC2009 CHK E. HOWARD 22DEC2009 APVD M. PERCHERIE 22DEC2009 PRODUCT SPEC 108-9039 APPLICATION SPEC 114-13018 WEIGHT CUSTOMER DRAWING		Tyco Electronics Harrisburg, PA 17105-3608 NAME CONNECTOR ASSEMBLY STANDARD EDGE II, DUAL POSITION SOLDER TAIL, .100 CL SIZE CAGE CODE DRAWING NO. RESTRICTED TO A1100779C=2132295 SCALE 5:1 SHEET 1 OF 2 REV 1	
---	--	--	--	--	--	--	--

LOC	DIST	REV	DATE	BY	APPD
GP	00				

REVISIONS			
NO.	DESCRIPTION	DATE	BY
1	SEE SHEET 1		

MATING BOARD EDGE CONFIGURATION



RECOMMENDED PC BOARD HOLE LAYOUT

<small>THIS DRAWING IS UNPUBLISHED. RELEASED FOR PUBLICATION BY TYCO ELECTRONICS CORPORATION. ALL RIGHTS RESERVED.</small>		DWN: R. GRZYBOWSKI 22DEC2009 CHK: E. HOWARD 22DEC2009 APVD: M. PERCHERIE 22DEC2009	Tyco Electronics Harrisburg, PA 17105-3608
DIMENSIONS: INCHES	TOLERANCES UNLESS OTHERWISE SPECIFIED: 9 PLC ± 8 PLC ±.02 [0.51] 5 PLC ±.010 [0.25] 4 PLC ± ANGLES ±.3	NAME: CONNECTOR ASSEMBLY STANDARD EDGE II, DUAL POSITION SOLDER TAIL, .100 CL	SIZE: A CAGE CODE: 100779 DRAWING NO: C=2132295
MATERIAL: -	FINISH: -	WEIGHT: -	RESTRICTED TO: -
CUSTOMER DRAWING		SCALE: 5:1	SHEET 2 OF 2 REV 1