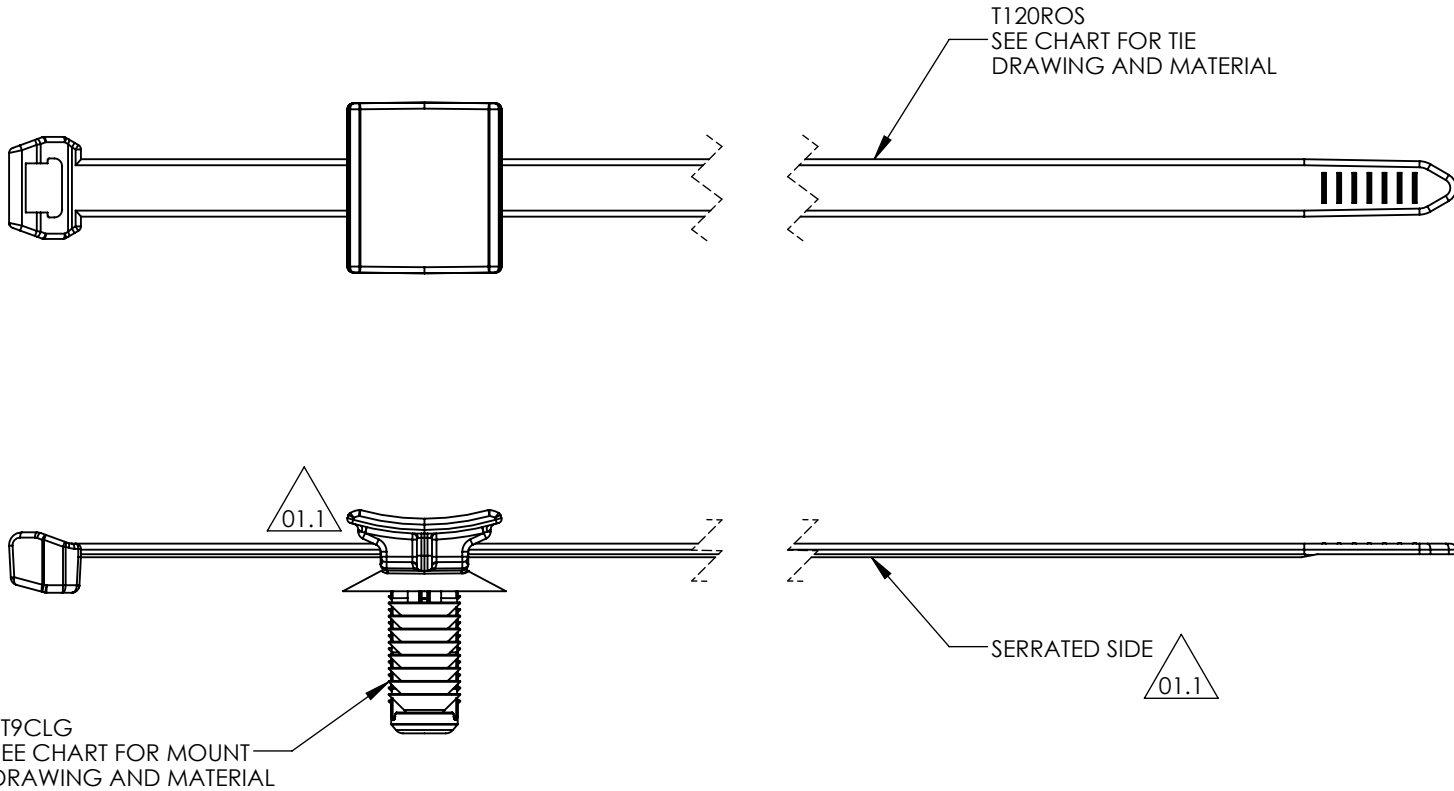


SW2014



Revision level			Revision Record	Changed	Date	Approved	Date
Drawing	State	Part					
01.1	Design Release	-	SEE ECN# 014048	CJR	9/6/2017	EJH	9/6/2017



TYPE	BUNDLE RANGE	CABLE TIE		MOUNT	
		DRAWING	MATERIAL	DRAWING	MATERIAL
T120ROSFT9CLG	5 to 105	XCT-INSL084CST	PA66HS	13-0575-003-CSU	PA66HIRHSUV

Material SEE CHART	Units: inches	The copyright of this drawing is reserved by HellermannTyton. It is issued on condition that it is not reproduced, copied, or disclosed to a third party, either wholly or in part, without the consent of HellermannTyton.	Drawn	EJF	11/09/2015	Article/Type-No	156-01561 / T120ROSFT9CLG	Scale	1:1
	Dimension without tolerances details to: .xxxx = ±.0005 .xxx = ±.005 .xx = ±.01 .x = ±.03 None = ±.06 ∠ = ±0.5° Dimension Formatted in/[mm]		Approved	KAC	11/09/2015	Title	T120ROS OUTSIDE SERRATED CABLE TIE WITH FT9CLG MOUNT	Project Number	15-0871
	<p>North America Email: corp@htamericas.com Web: www.hellermann.tyton.com</p>			Drawing-No	Production : Phase		Format	AH	
				15-0871-001-CSU			Sheet	1/1	