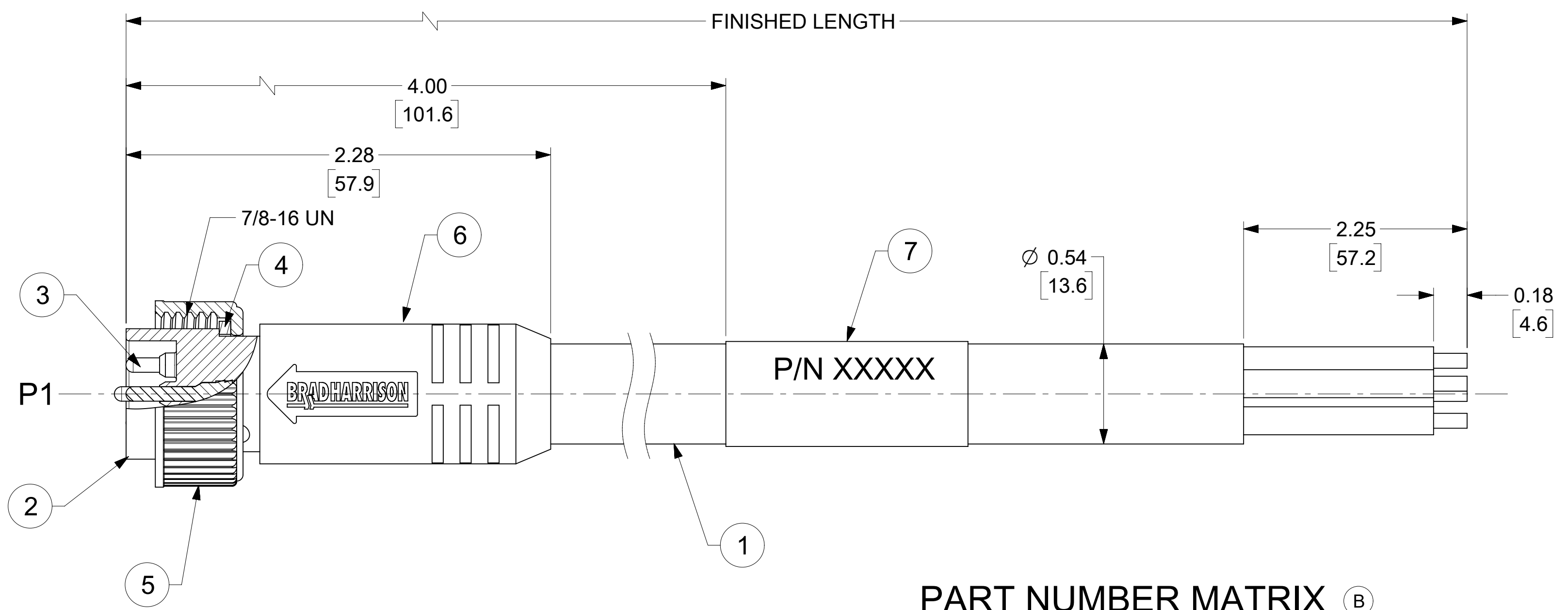
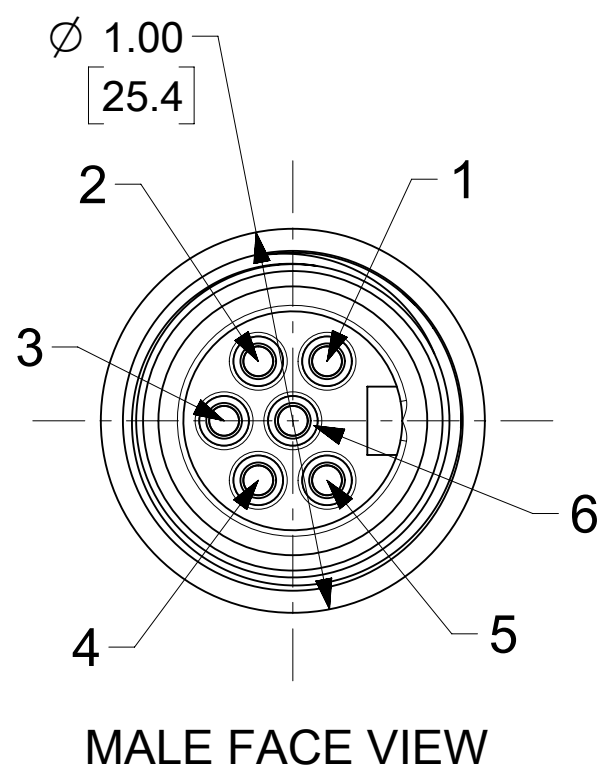
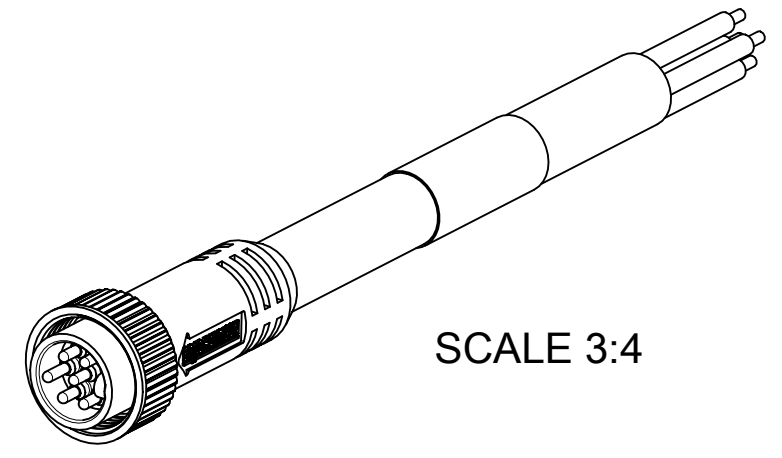


MATERIAL NO.	ENGINEERING NO.	FINISHED LENGTH
1300061672	106002A01F030	3 FT. (0.9 M)
1300061675	106002A01F060	6 FT. (1.82 M)
1300061679	106002A01F120	12 FT. (3.65 M)
1300061686	106002A01F200	20 FT. (6.09 M)

CABLE LENGTH TOLERANCES
 <.3M [1FT]: +19mm-0 [+.75in-0]
 .3 - .9M [1 - 3FT]: +44.5mm-0 [+1.75in-0]
 .9 - 1.8M [3 - 6FT]: +55.6mm-0 [+2.19in-0]
 1.8 - 3.7M [6 - 12FT]: +88.9mm-0 [+3.50in-0]
 3.7 - 7.3M [12 - 24FT]: +165.1mm-0 [+6.50in-0]
 7.3-14.6M [24 - 48FT]: +317.5mm-0 [+12.50in-0]
 14.6 - 30.5M [48-100FT]: +622.3mm-0 [+24.50in-0]
 OVER 30M [100FT] +2% OF FINISHED LENGTH



- NOTES:
- MATERIAL: AS NOTED
 - FINISH: AS NOTED
 - ELECTRICAL:
 VOLTAGE: 400V PER IEC60664 (B)
 600V PER UL2238
 CURRENT: 8A
 - TEMP RATING: -20°C TO +105°C (B)
 - PROTECTION: IP67 (WHEN MATED) (B)
 - CSA CERTIFIED FILE: LR6837 (B)
 - UL RECOGNIZED FILE: E152210 (B)
 - ASSEMBLY IS ROHS COMPLIANT
 - ALL DIMS ARE FOR REFERENCE UNLESS TOLERANCED OR NOTED OTHERWISE

WIRING DIAGRAM

P1	
1	WHITE
2	RED
3	GREEN/YELLOW
4	ORANGE
5	BLACK
6	BLUE

PART NUMBER MATRIX (B)

106002A01F060

FINISHED LENGTH
 F001= .1 FT
 F020= 2 FT
 F200= 20 FT

ITEM	DESCRIPTION	MATERIAL	FINISH
7	WRAP LABEL	VINYL	BLACK/YELLOW
6	OVERMOLD	TPE	YELLOW
5	COUPLING NUT	ZINC DIE CAST	BLACK E-COAT
4	FRICTION RING	NYLON	NATURAL
3	PIN CONTACT	Cu ALLOY	GOLD OVER NICKEL
2	MALE INSERT	TPE	YELLOW
1	CABLE, STOOV/ST #16-6	PVC JACKET	YELLOW

THIS DRAWING CONTAINS INFORMATION THAT IS PROPRIETARY TO MOLEX ELECTRONIC TECHNOLOGIES, LLC AND SHOULD NOT BE USED WITHOUT WRITTEN PERMISSION

DIMENSION UNITS	SCALE	CURRENT REV DESC: UPDATED ITEM #1, 2, 6, 7 & TEMP RATING. ADDED CSA, UL, IP RATING, IEC VOLT, TOL. CHART & PART NO. MATRIX. MODIFIED PN CHART	molex
INCH/MM	2:1	EC NO: 673727	
GENERAL TOLERANCES (UNLESS SPECIFIED)		DRWN: VHANDI 2021/05/27	MINI-CHANGE CORDSET, A SIZE, 6 POLE MALE, STRAIGHT, SINGLE KEY, 16 AWG
4 PLACES	±	CHK'D: RSTONE 2021/08/25	
3 PLACES	±	APPR: BWOODMAN 2021/08/27	PRODUCT CUSTOMER DRAWING
2 PLACES	±	INITIAL REVISION:	DOCUMENT NUMBER
1 PLACE	±	DRWN: LHARTMANN 2009/06/11	SD-130006-006
0 PLACES	±	APPR: JFMURPHY 2009/08/17	DOC TYPE
ANGULAR TOL	± 0.5 °	THIRD ANGLE PROJECTION	PSD
DRAFT WHERE APPLICABLE MUST REMAIN WITHIN DIMENSIONS		DRAWING	DOC PART
		C-SIZE	001
		SERIES	REVISION
		130006	B
		MATERIAL NUMBER	SHEET NUMBER
		SEE TABLE	1 OF 1
		CUSTOMER	
		GENERAL MARKET	