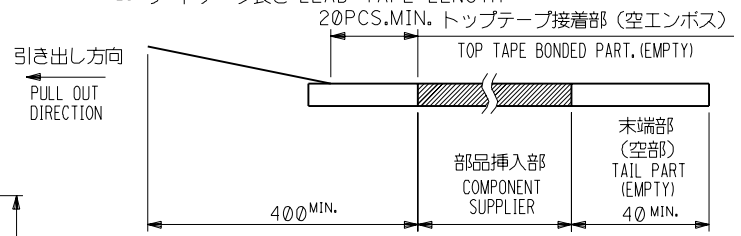


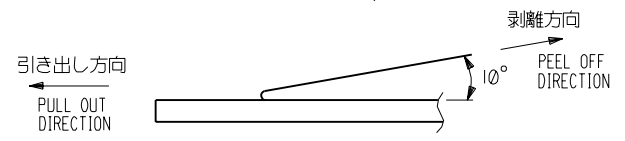
DWG. NO. SD-54481-004

NOTES

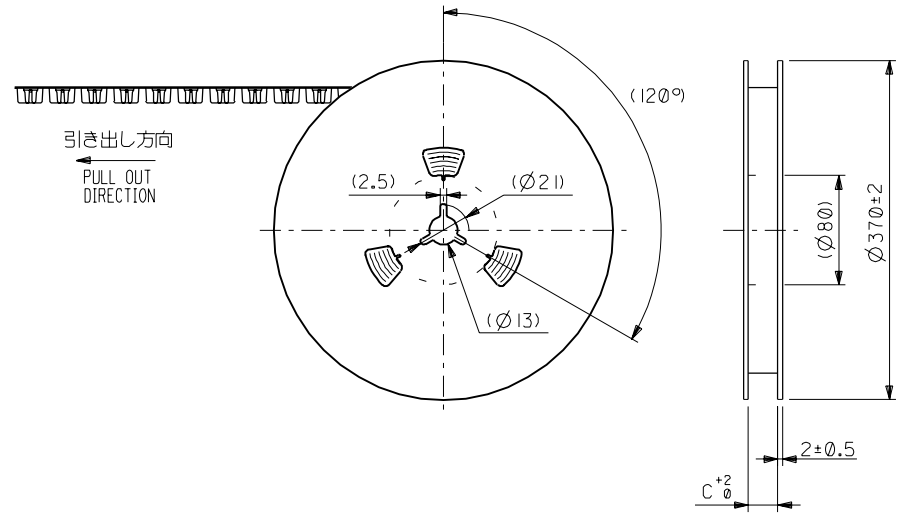
- 製品詳細寸法については図面 SD-54481-003 を参照下さい。
RE DETAILED DIMENSION, SEE SD-54481-003
- 梱包数量：1000個/リール
NUMBER OF CONNECTORS：1000PCS/REEL
- リードテープ長さ LEAD TAPE LENGTH
20PCS.MIN. トップテープ接着部 (空エンボス)



- トップテープの剥離強度：0.1N ~ 0.7N(10.2gf ~ 71.4gf)
(剥離方向は下図参照)
尚、本規格値は出荷時に適用。(但し、輸送時に剥離が発生しないこと。)
PEELING OFF FORCE OF TOP TAPE：0.1N ~ 0.7N(10.2gf ~ 71.4gf)
(PEELING DIRECTION AS SHOWN IN FOLLOWING FIG.)
THIS REQUIREMENT SHOULD BE APPLIED AT SHIPMENT.
PEEL OFF SHOULD NOT BE ALLOWED, DURING TRANSPORTATION.



- 材料 (MATERIAL)
キャリアテープ (CARRIER TAPE)：ポリプロピレン (POLYPROPYLENE)
トップテープ (TOPTAPE)：PET, PE, PEF
リール (REEL)：紙製 (CARD BOARD)

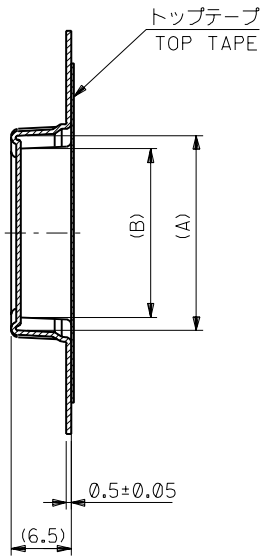


DO NOT SCALE DRAWING

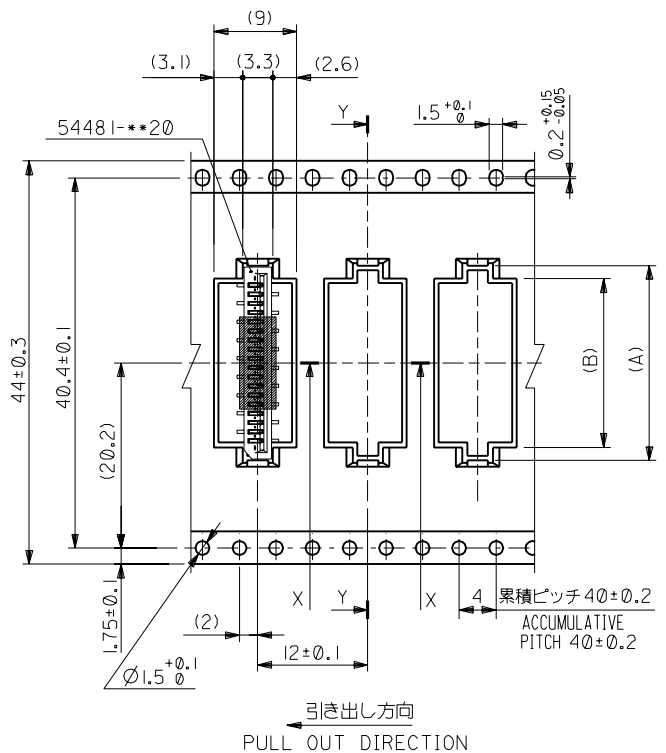
図番 NO. DRAWN BY CHK. APPR.	REVISIONS 03 NO. JD2000-1136 DRWN: THIRAYAMA 00/04/21 CHK: MSASAO 00/04/21 APPR: HIKESUGI 00/04/21 REVISIONS 02 NO. JD000068 DRWN: THIRAYAMA 99/07/19 CHK: MSASAO 99/07/19 APPR: HIKESUGI 99/07/19 REVISIONS 01 NO. JD91263 DRWN: THIRAYAMA 99/03/19 CHK: MSASAO 99/03/19 APPR: HIKESUGI 99/03/19 RELEASED 00 NO. JD090110 DRWN: THIRAYAMA 98/07/22 CHK: MSASAO 98/07/22 APPR: HIKESUGI 98/07/22	MATERIAL 材料 注記5参照 SEE NOTE 5	GENERAL TOLERANCES: (UNLESS SPECIFIED) 一般公差		SCALE	DESIGN UNITS	DIMENSIONS:		SHT	REV					
			FINISH 仕上げ //	WIRE RANGE 適用範囲線形 //	INS. RANGE 被覆外径 //	10 UNDER 未満 +0.2	10 OVER 以上 +0.25	10 UNDER 未満 +0.25	30 UNDER 未満 +0.25	30 OVER 以上 +0.3	ANGLE 角度 +3°	DRAWN BY & DATE T. Kinoshita 98/07/22	CHECKED BY & DATE M. Sasaki 98/07/22	APPROVED BY & DATE H. Kamegaki 98/07/22	TITLE: EMBOSSED TAPE PACKAGE FOR 54481-***20
					MOLEX INCORPORATED		MATERIAL NO. SEE SHEETS		DRAWING NO. SD-54481-004		SHEET NO. 1 OF 3		SIZE B		

THIS DRAWING CONTAINS INFORMATION THAT IS PROPRIETARY TO MOLEX INCORPORATED AND SHOULD NOT BE USED WITHOUT WRITTEN PERMISSION.

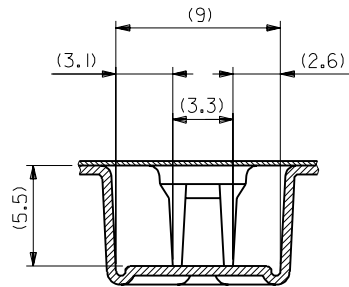
DWG. NO. SD-54481-004



SECT:Y-Y



引き出し方向
PULL OUT DIRECTION



SECT:X-X

44mm幅キャリアテープ
44mm WIDTH CARRIER TAPE

44	44.4	28.4	31.3	54481-2891	28
		24.4	27.3	54481-2491	24
		21.4	24.3	54481-2191	21
		20.4	23.3	54481-2091	20
		18.4	21.3	54481-1891	18
キャリアテープ幅 CARRIER TAPE WIDTH	C	(B)	(A)	MATERIAL NO.	極数 CKT.

MODEL NO.	54481-***91	DIMENSIONS:	SHT	REV	
DESIGN UNITS	<input checked="" type="checkbox"/> mm <input type="checkbox"/> INCH	<input type="checkbox"/> mm <input type="checkbox"/> INCH <input checked="" type="checkbox"/> mm ONLY			
DESIGNED BY & DATE	T. Kinoshita 98/07/22	TITLE:	EMBOSSD TAPE PACKAGE FOR 54481-***20		
CHECKED BY & DATE	M. Saito 98/07/22	APPROVED BY & DATE	M. Saito 98/07/22		
CAB FILENAME	54481004.S02	MATERIAL NO.	DRAWING NO.	SHEET NO.	
		SEE CHART	SD-54481-004	2	
DRAWING CONTAINS INFORMATION THAT IS PROPRIETARY TO MOLEX INCORPORATED AND SHOULD NOT BE USED WITHOUT WRITTEN PERMISSION.				SIZE	B

DO NOT SCALE DRAWING

EG4NO. DRWN: CHK: APPR:	EG3NO. DRWN: CHK: APPR:	EG2NO. DRWN: CHK: APPR:	EG1NO. DRWN: CHK: APPR:	EG0NO. DRWN: CHK: APPR:
	C	B	A	0

MATERIAL 材料	SHEET 1 OF 3 参照 SEE SHEET 1 OF 3
FINISH 仕上げ	—//—
WIRE RANGE 適用線幅範囲	—//—
INS. RANGE 被覆外径	—//—

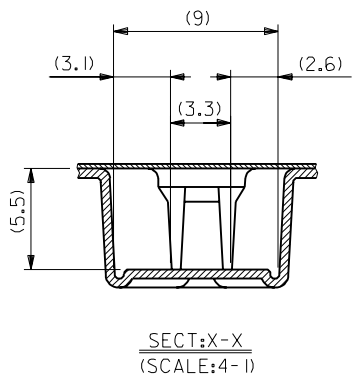
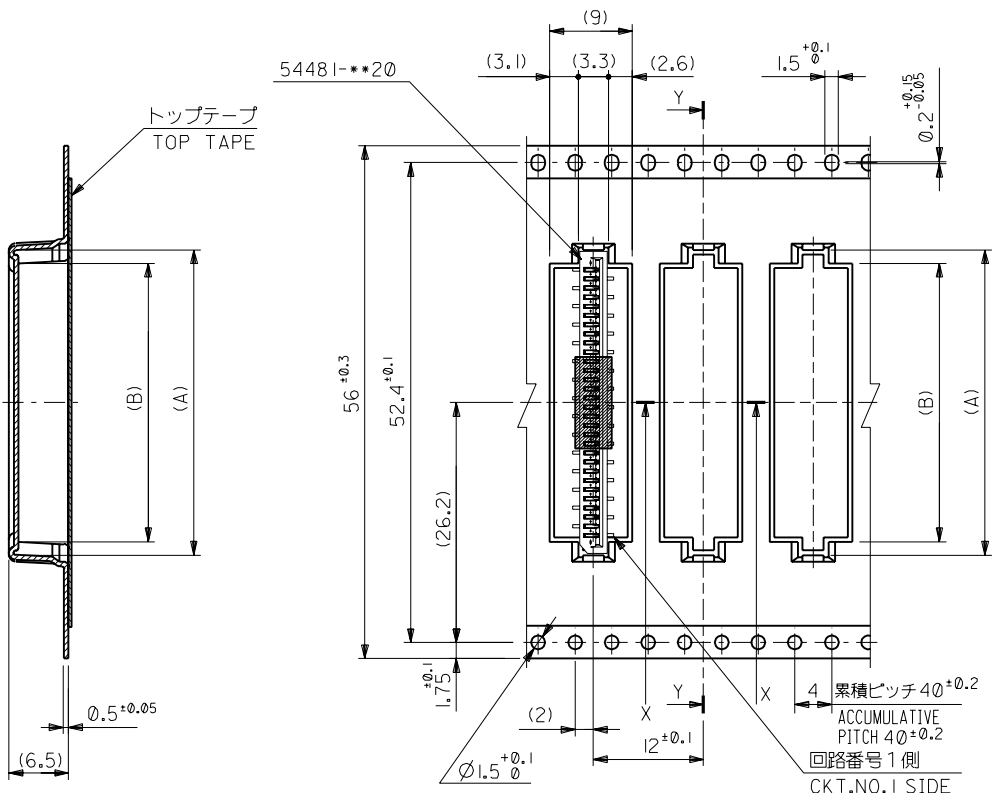
GENERAL TOLERANCES: (UNLESS SPECIFIED) 一般公差	
10 UNDER 未満	+0.2
10 OVER 以上 30 UNDER 未満	+0.25
30 OVER 以上	+0.3
ANGLE 角度	+3°

SCALE	DESIGN UNITS
—//—	<input checked="" type="checkbox"/> mm <input type="checkbox"/> INCH
PROJ. ANGLE	PROJECTION
<input checked="" type="checkbox"/> 1st ANGLE	<input type="checkbox"/> 1st ANGLE <input type="checkbox"/> 2nd ANGLE

MOLEX INCORPORATED
EN-02J(097) MXJ-54

54481004.S02

DWG. NO. SD-54481-004



SECT:Y-Y

引き出し方向
PULL OUT DIRECTION

56mm幅キャリアテープ
56mm WIDTH CARRIER TAPE

56	56.4	29.4	32.3	54481-2991	29
キャリアテープ幅 CARRIER TAPE WIDTH	C	(B)	(A)	MATERIAL NO.	極数 CKT.
MODEL NO.	54481-**91		DIMENSIONS:		SHT REV

DESIGN UNITS <input checked="" type="checkbox"/> mm <input type="checkbox"/> INCH	PROJECTION <input checked="" type="checkbox"/> FIRST ANGLE	<input type="checkbox"/> mm <input type="checkbox"/> INCH	<input checked="" type="checkbox"/> mm ONLY	BEVISE ON CAD ONLY
DRAWN BY & DATE <i>T. Kinoshita</i> 98/07/22		TITLE: EMBOSSD TAPE PACKAGE FOR 54481-**20		
CHECKED BY & DATE <i>M. Saito</i> 98/07/22		MOLEX INCORPORATED		
APPROVED BY & DATE <i>M. Saito</i> 98/07/22		MATERIAL NO.	DRAWING NO.	SHEET NO.
CAB FILENAME 54481004.S03		SEE CHART	SD-54481-004	3

DO NOT SCALE DRAWING	REV	DESCRIPTION	MATERIAL 材料	GENERAL TOLERANCES: (UNLESS SPECIFIED) 一般公差
0			SHEET 1 OF 3 参照 SEE SHEET 1 OF 3	10 UNDER 未滿 +0.2 10 OVER 以上 30 UNDER 未滿 +0.25 30 OVER 以上 +0.3 ANGLE 角度 +3°
A			FINISH 仕上げ	
B			WIRE RANGE 適用線径範囲	
C			INS. RANGE 被覆外径	

EN-02J(097) MXJ-54

54481004.S03