

MATERIAL NO.	# OF CIRC. "XX"	"A"	"B"	"C"	"D"
387490181	2	43.5 (1.71)	11.1 (1.44)	33.3 (1.31)	24.6 (1.97)
387490183	3	54.6 (2.15)	22.2 (1.88)	44.5 (1.75)	35.7 (1.40)
387490184	4	65.7 (2.59)	33.3 (1.31)	55.6 (2.19)	46.8 (1.84)
387490185	5	76.8 (3.03)	44.5 (1.75)	66.7 (2.63)	57.9 (2.28)
387490186	6	87.9 (3.46)	55.6 (2.19)	77.8 (3.06)	69.0 (2.72)
387490187	7	99.1 (3.90)	66.7 (2.63)	88.9 (3.50)	80.1 (3.15)
387490188	8	110.2 (4.34)	77.8 (3.06)	100.0 (3.94)	91.2 (3.59)
387490189	9	121.3 (4.78)	88.9 (3.50)	111.1 (4.38)	102.3 (4.03)
387490182	10	132.4 (5.21)	100.0 (3.94)	122.2 (4.81)	113.4 (4.47)
11	143.5 (5.65)	111.1 (4.38)	133.4 (5.25)	124.6 (4.90)	
12	154.6 (6.09)	122.2 (4.81)	144.5 (5.69)	135.7 (5.34)	
13	165.7 (6.53)	133.4 (5.25)	155.6 (6.13)	146.8 (5.78)	
14	176.8 (6.96)	144.5 (5.69)	166.7 (6.56)	157.9 (6.22)	
15	188.0 (7.40)	155.6 (6.13)	177.8 (7.00)	169.0 (6.65)	
16	199.1 (7.84)	166.7 (6.56)	188.9 (7.44)	180.1 (7.09)	
17	210.2 (8.28)	177.8 (7.00)	200.0 (7.88)	191.2 (7.53)	
18	221.3 (8.71)	188.9 (7.44)	211.1 (8.31)	202.3 (7.97)	
19	232.4 (9.15)	200.0 (7.88)	222.3 (8.75)	213.5 (8.40)	
20	243.5 (9.59)	211.1 (8.31)	233.4 (9.19)	224.6 (8.84)	
21	254.6 (10.03)	222.3 (8.75)	244.5 (9.63)	235.7 (9.28)	
22	265.7 (10.46)	233.4 (9.19)	255.6 (10.07)	246.8 (9.72)	
23	276.9 (10.90)	244.5 (9.63)	266.7 (10.51)	257.9 (10.15)	
24	288.0 (11.34)	255.6 (10.06)	277.8 (10.95)	269.0 (10.59)	
25	299.1 (11.78)	266.7 (10.50)	288.9 (11.39)	280.1 (11.03)	
26	310.2 (12.21)	277.8 (10.94)	300.0 (11.81)	291.2 (11.47)	
27	321.3 (12.65)	288.9 (11.38)	311.1 (12.25)	302.3 (11.90)	
28	332.4 (13.09)	300.0 (11.81)	322.3 (12.69)	313.5 (12.34)	
29	343.5 (13.53)	311.2 (12.25)	333.4 (13.13)	324.6 (12.78)	
30	354.6 (13.96)	322.3 (12.69)	344.5 (13.57)	335.7 (13.22)	

- NOTES:
- MATERIAL: SEE TABLE
 - FINISHES: SEE TABLE
 - PRODUCT SPECIFICATION: NOT REQUIRED
 - PACKAGING: NOT REQUIRED
 - MATES WITH: NONE
 - SCREWS SUPPLIED UNASSEMBLED.

ITEM	QTY.	DESCRIPTION	MATERIAL	FINISH
3	XX	SCREW, #8-32, PHILSLOT, SQ. WASHER	STEEL	ZN/CHROMATE (CR+3)
2	XX	TERMINAL, WIRE WRAP	BRASS	TIN/SILVER/NICKEL
1	I	INSULATOR	THERMOPLASTIC	BLACK

EC NO. ECN 4222
 DRWN RK 9-15-05
 CH*Ks
 APPR
 B

DESCRIPTION

MAJOR
 CRITICAL
 SPC
 S

GENERAL TOLERANCES: (UNLESS SPECIFIED)	
mm	INCH
4 PLACES	±.0015
3 PLACES	±.005
2 PLACES	±.13
1 PLACE	±.3

ANGULAR: ±2°

DRAFT WHERE APPLICABLE MUST REMAIN WITHIN DIMENSIONS

SCALE 2:1

DESIGN UNITS mm INCH

THIRD ANGLE PROJECTION

DRAWN BY & DATE
R. KEMP 4-22-05

CHECKED BY & DATE
R. STONE 4-22-05

APPROVED BY & DATE
GHR 4-22-05

CAD FILENAME
747XX-A-V-50-59-81

TITLE:
SR BTS WW ASSY, #8-32 SCREW,
SQ. WASHER, .81 TAIL LENGTH

MOLEX INCORPORATED

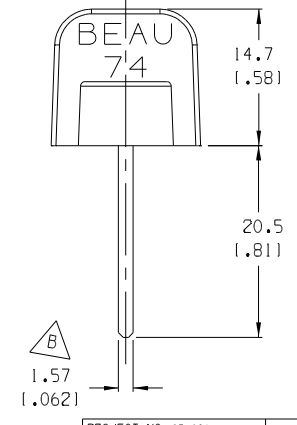
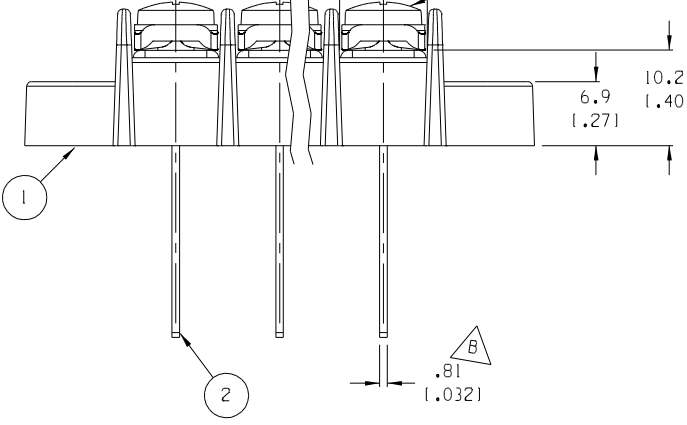
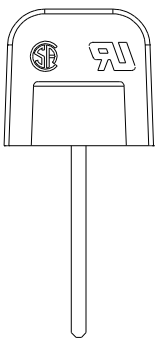
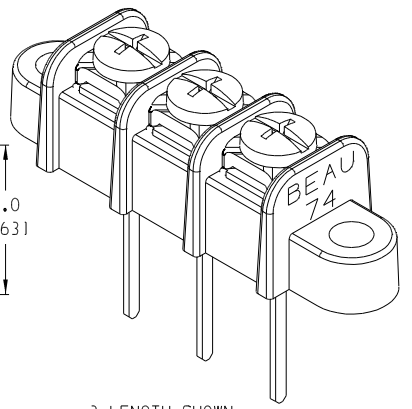
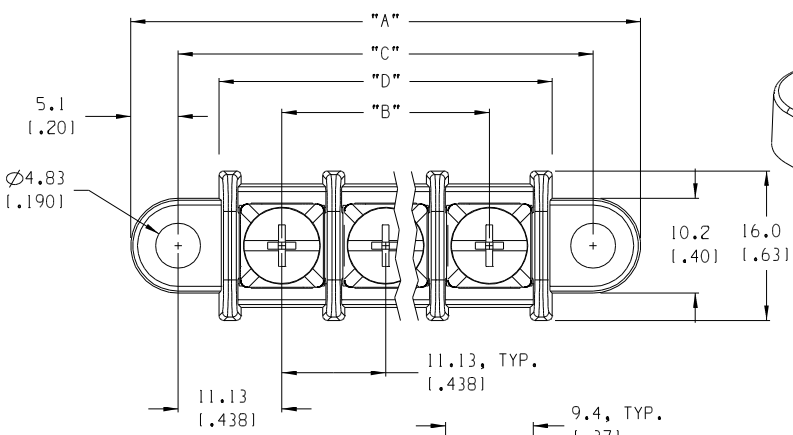
MATERIAL NO. SEE CHART

DRAWING NO. SD-38749-004

SHEET NO. 1 OF 1

THIS DRAWING CONTAINS INFORMATION THAT IS PROPRIETARY TO MOLEX INCORPORATED AND SHOULD NOT BE USED WITHOUT WRITTEN PERMISSION.

SIZE B



PROJECT NO. 05-036	I	-
DIMENSIONS:	SHT	REV
<input checked="" type="checkbox"/> mm <input type="checkbox"/> INCH	<input type="checkbox"/> mm <input type="checkbox"/> ONLY	REVISE ON CAD ONLY