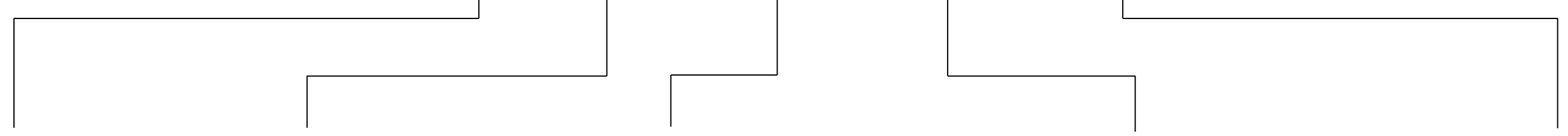



# DUAL ENTRY KEY OPERATED SAFETY INTERLOCK NOMENCLATURE


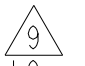

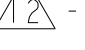
GK 






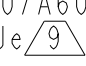


BODY / INDICATOR		CONDUIT		BASIC 		HEAD		KEY	
B	NO INDICATOR	A	1/2 NPT	1	SNAP ACTION 1 NC - 1 NO, A600	L	OPENING TO FRONT AND TOP	6	STRAIGHT
C	SINGLE LED INDICATOR	B	PG 13.5	2	SNAP ACTION 2 NC - 2 NO, A600	M	OPENING TO RIGHT AND TOP	7	90 DEGREE
D	DOUBLE LED INDICATOR	C	20 MM	3	SLOW ACTING 1 NC - 1 NO BBM, A600	N	OPENING TO BACK AND TOP	8	UP-DOWN - SPRING LOADED
		D	PF 1/2	4	SLOW ACTING 1 NC - 1 NO MBB, A600	P	OPENING TO LEFT AND TOP	9	SIDE-SIDE - SPRING LOADED
				6	SLOW ACTING 2 NC, A500			X	NO KEY
				7	SNAP ACTION 1 NC - 1 NO - GOLD, A600				
				10	SLOW ACTING 4 NC, A300				
				12	SLOW ACTING 2 NC - 1 NO BBM, A300				
				14	SLOW ACTING 2 NC - 2 NO BBM, A300				
				16	SLOW ACTING 3 NC - 1 NO BBM, A300				
				30	SLOW ACTING 4 NC - GOLD, A300				
				32	SLOW ACTING 2 NC - 1 NO BBM - GOLD, A300				
				34	SLOW ACTING 2 NC - 2 NO BBM - GOLD, A300				
				36	SLOW ACTING 3 NC - 1 NO BBM - GOLD, A300				

P.T.C./CAD 30  
 DRAWN MAM 28 AUG 98  
 CHECK JAF 07 JAN 09  
 DVM 12 MAY 99  
 CHECK 21 SEP 06  
 RS 07 JAN 09  
 CHECK 21 SEP 06  
 REVISIONS  
 A 206394 TSM 9 SEP 02  
 B 206443 JLF 13 SEP 02  
 C 206976 JLF 27 NOV 02  
 D 207003 GJR 4 DEC 02  
 E 207211 TSM 15 JAN 03  
 F 207576 TSM 5 MAR 03  
 G 0000385 GJR 2 JUN 03  
 H 0025008 JLF 21 SEP 06  
 J 0047425 JLF 07 JAN 09  
 ISSUE 30  
 DRAWING NUMBER  
 M GK SERIES CHART 3  
 PAGE 1 OF 8  
 RELEASE NO. PR-23758  
 REPLACES

NOTES

- 1 - ZINC DIECAST BODY AND HEAD WITH STEEL COVER. BODY, HEAD AND COVER FINISHED WITH EPOXY PAINT
- 2 - MINIMUM OPERATING VELOCITY (V<sub>min</sub>) = 10 mm/S  
 .39 in/S  
 MAXIMUM OPERATING VELOCITY (V<sub>max</sub>) = 1 M/S  
 39.4 in/S
- 3 - MAXIMUM OPERATING FREQUENCY (F<sub>max</sub>) = 100 OPS/MIN  
 NO CHANGES CAN BE MADE TO THIS DRAWING WITHOUT JOINT FREEPORT/NEWHOUSE APPROVAL
- 4 - INSERTION FORCE = 35N NOM  
 8 LB  
 EXTRACTION FORCE = 28 N NOM  
 6 LB
- 5 - SNAP ACTION N.C. CONTACTS: POSITIVE OPENING  
 SLOW MAKE AND BREAK N.C. CONTACTS: DIRECT ACTING
- 6 - WHEN KEY IS INSERTED: N.C. TERMINALS ARE 11/12, 21/22, 31/32 AND/OR 41/42  
 N.O. TERMINALS ARE 13/14, 23/24, 33/34 AND/OR 43/44
-  THE MAXIMUM VOLTAGE, V<sub>e</sub> OF GKC AND GKD SERIES PRODUCTS IS THE MAXIMUM RATED VOLTAGE OF INDICATION LIGHTS: 12 TO 250 VAC/DC FOR GKC AND 18 TO 30 VDC FOR GKD
- 8 - THE LEFT INDICATOR IS GREEN AND IS INTENDED TO INDICATE "POWER ON". THIS FEATURE IS ON GKD SERIES PRODUCTS ONLY.  
 THE RIGHT INDICATOR IS YELLOW AND IS INTENDED TO INDICATE "OUTPUT STATUS". THIS FEATURE IS ON GKC AND GKD SERIES PRODUCTS ONLY
-  SEE BASIC SWITCH COLUMN FOR VOLTAGE RATING
-  T-15 TAMPER PROOF TORX DRIVER BIT PROVIDED
-  SWITCH MUST OPERATE BEFORE REACHING MINIMUM INSERTION DISTANCE
- "S" MARK APPROVAL APPLICABLE ONLY FOR GK TYPE BA14XXX, BA16XXX SERIES ONLY

ELECTRICAL RATING 				ENVIRONMENTAL		APPROVALS	
AC		DC		IP 67 NEMA 1, 4, 12 & 13			
A300/A600	AC15	Q300	DC13	TEMP RANGE: -25°C TO 85°C -13°F TO 185°F		  IEC 947-5-1 EN50041  	
U <sub>e</sub> 	I <sub>e</sub>	U <sub>e</sub>	I <sub>e</sub>	STORAGE: -40°C TO 85°C -40°F TO 185°F			
(VOLTS)	(AMPS)	(VOLTS)	(AMPS)	SHOCK: 50G PER IEC 68-2-27 VIBRATION: 10G PER IEC 68-2-6			
120	6	24	2.8				
240	3	125	.55				
380	1.9	250	.27				
480	1.5						
500	1.4						
600	1.2						
I <sub>th</sub> = 10A							

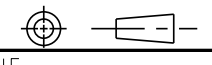
THIS DRAWING COVERS A PROPRIETARY ITEM AND IS THE PROPERTY OF MICRO SWITCH, A DIVISION OF HONEYWELL. THIS DRAWING IS NOT TO BE COPIED OR USED WITHOUT THE APPROVAL OF MICRO SWITCH.

**MICRO SWITCH**  
a Honeywell Division

**SWITCH - LIMIT**

CATALOG LISTING  
**GK SERIES CHART 3**

THIRD ANGLE PROJECTION



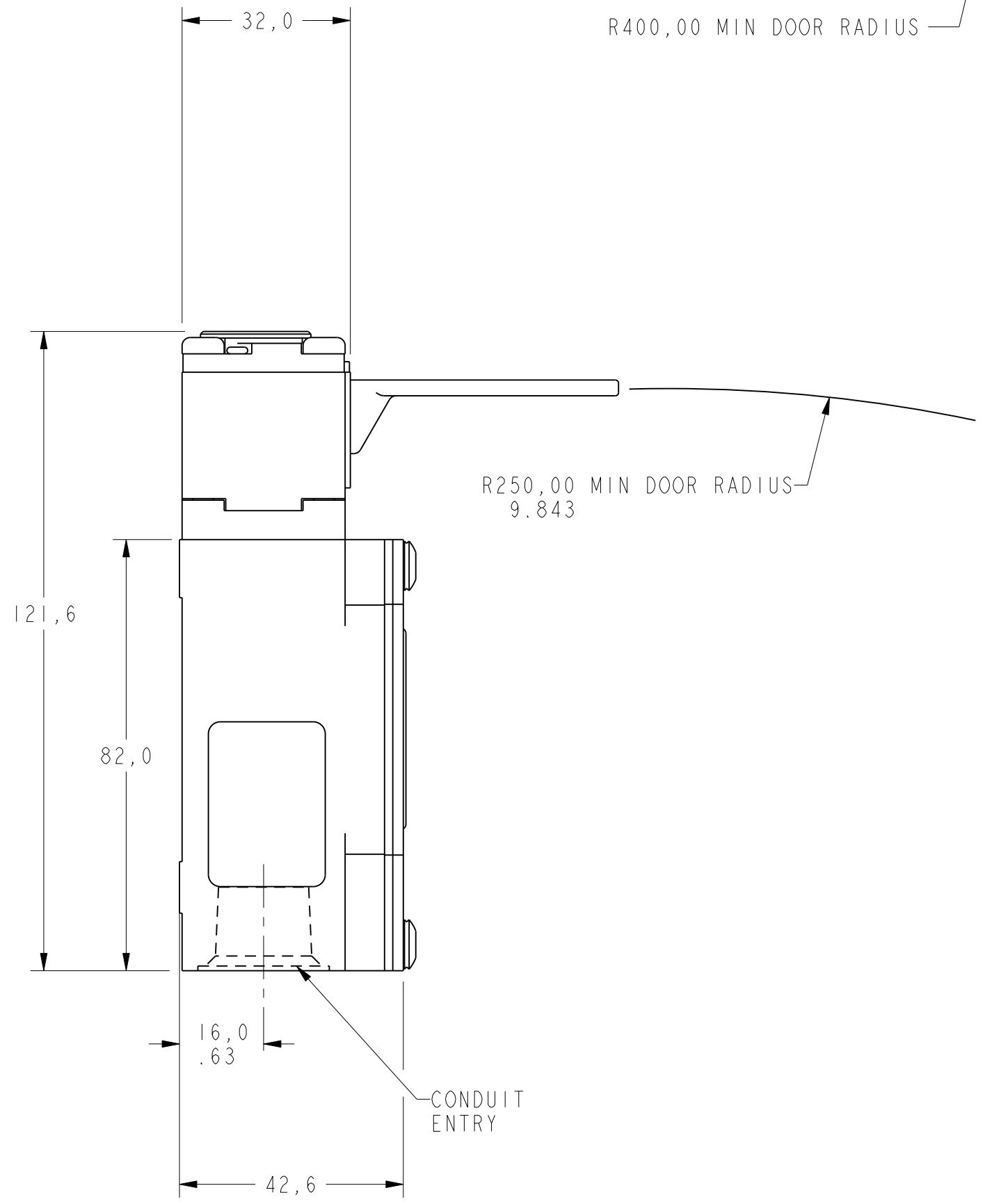
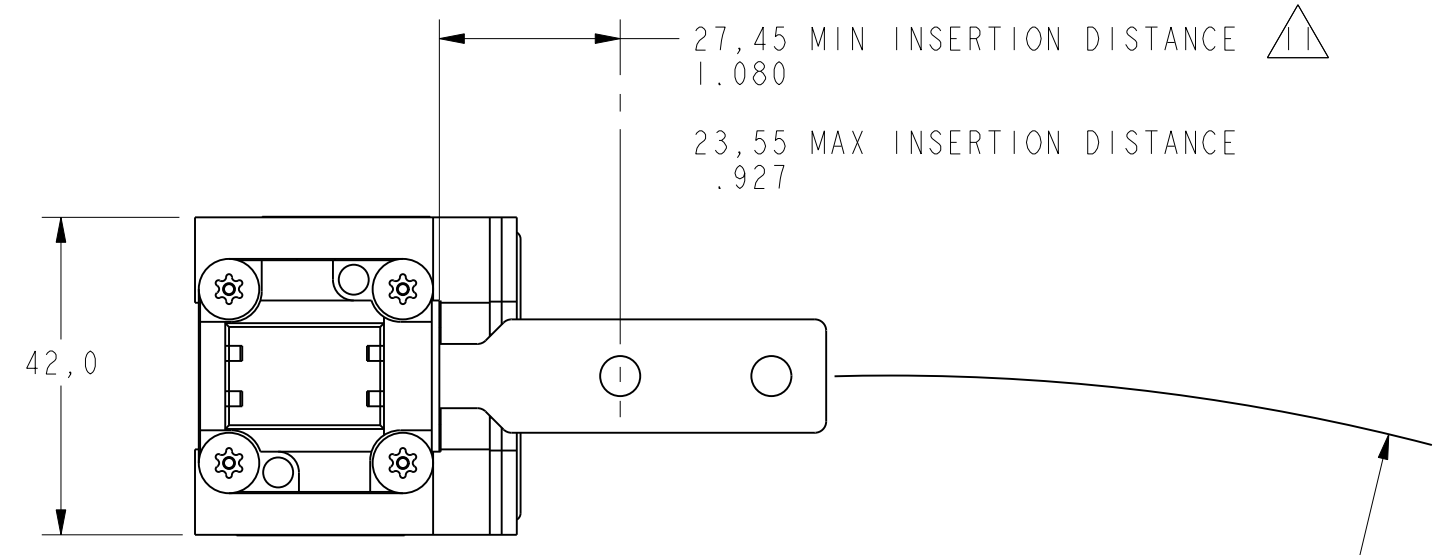
SCALE NONE

DO NOT SCALE PRINT

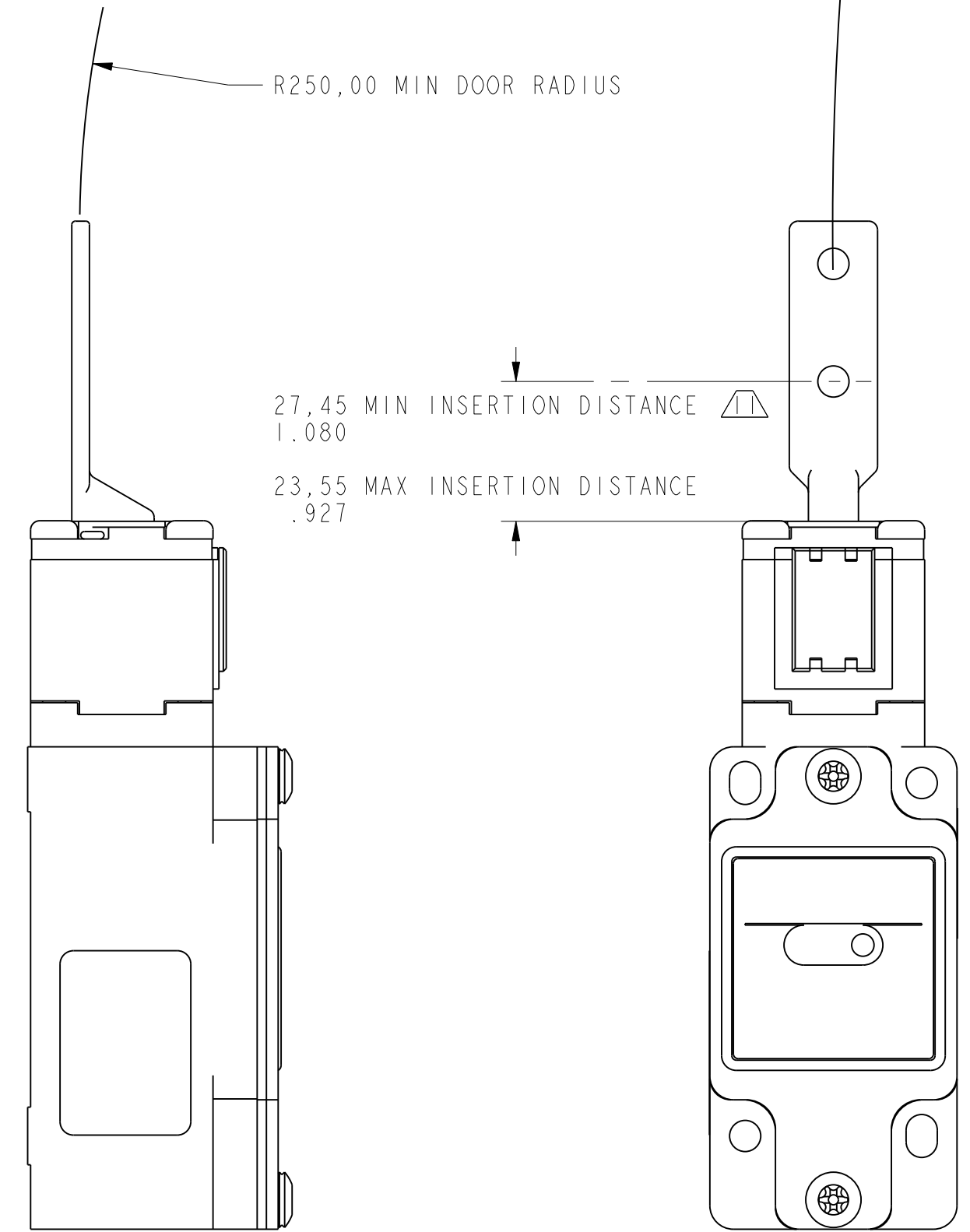
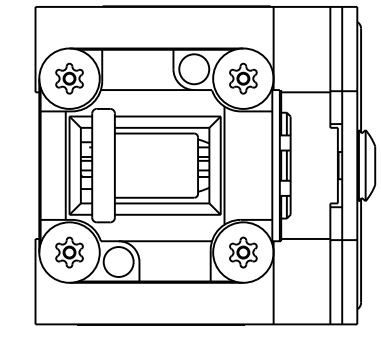
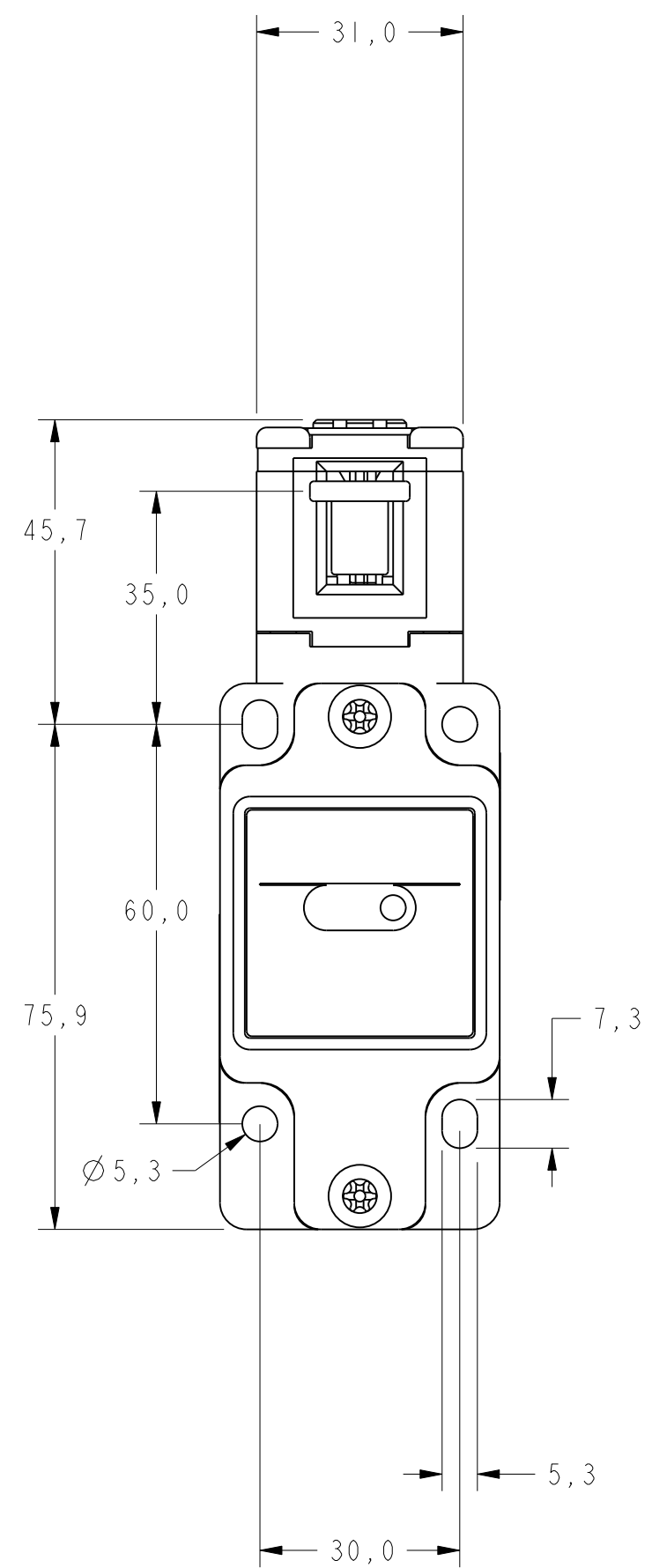
UNLESS OTHERWISE SPECIFIED TOLERANCES ARE

ONE PLACE	(.0)	±.030
TWO PLACES	(.00)	±.015
THREE PLACES	(.000)	±.005
ANGLES		±

WEIGHT APPROX .5 KG / 1 LB



FRONT ENTRY



TOP ENTRY

P.T.C./CAD 30  
 DRAWN MAM 28 AUG 98  
 CHECK JAF 07 JAN 09  
 DVM 12 MAY 99  
 CHECK JAF 21 SEP 06  
 TSM 04 JUL 03  
 TSM 0000385  
 G 207576  
 TSM 15 JAN 03  
 F 207211  
 TSM 40 DEC 02  
 G 207003  
 D 27 NOV 02  
 TSM 206976  
 C 13 SEP 02  
 TSM 206443  
 B 9 SEP 02  
 TSM 206394  
 A 206394  
 REVISIONS  
 30  
 DRAWING NUMBER  
 07 JAN 09  
 RS  
 07 JAN 09  
 RELEASE NO. PR-23758  
 2 OF 8  
 GK SERIES CHART 3  
 REPLACES

THIS DRAWING COVERS A PROPRIETARY ITEM AND IS THE PROPERTY OF MICRO SWITCH, A DIVISION OF HONEYWELL. THIS DRAWING IS NOT TO BE COPIED OR USED WITHOUT THE APPROVAL OF MICRO SWITCH.

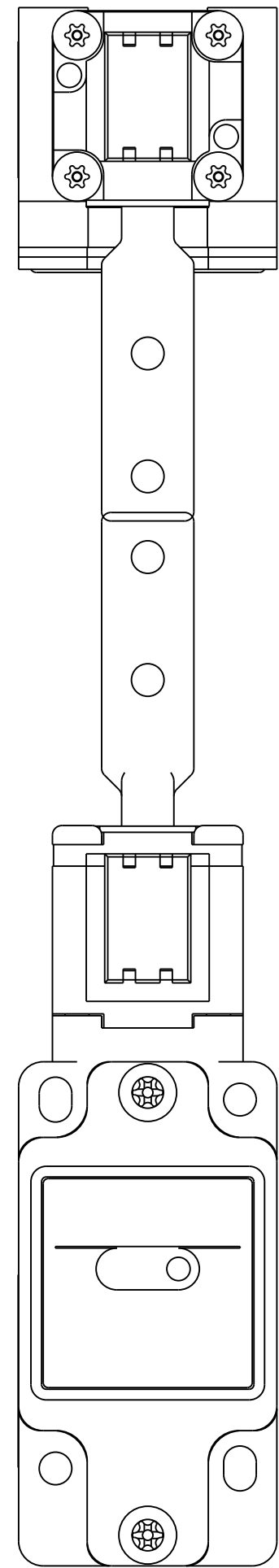
**MICRO SWITCH**  
a Honeywell Division

**SWITCH - LIMIT**

CATALOG LISTING  
**GK SERIES CHART 3**

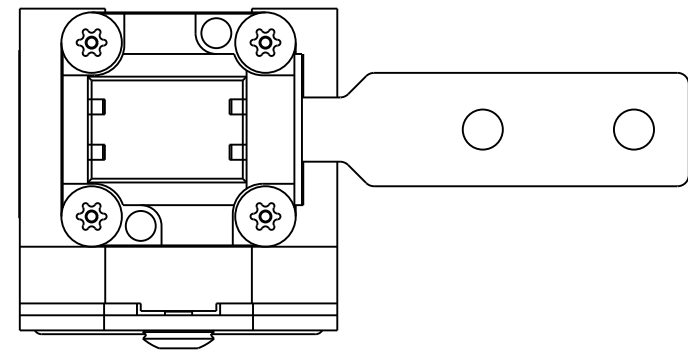
ANSI Y14.5M-1982 APPLIES

THIRD ANGLE PROJECTION	
SCALE FULL	
DO NOT SCALE PRINT	
UNLESS OTHERWISE SPECIFIED TOLERANCES ARE	
ONE PLACE	(.0) ±.030
TWO PLACES	(.00) ±.015
THREE PLACES	(.000) ±.005
ANGLES	±
WEIGHT APPROX .5 KG / 1LB	



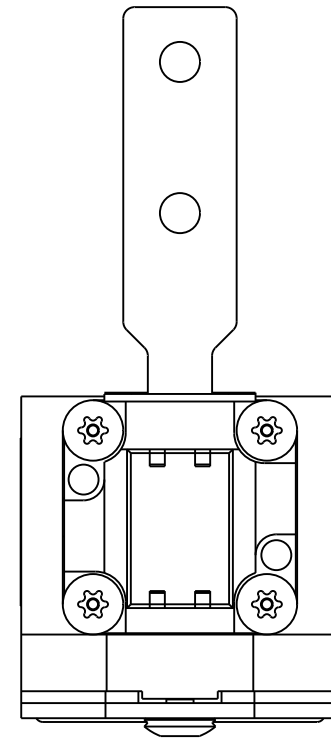
HEAD CODE L

9,0



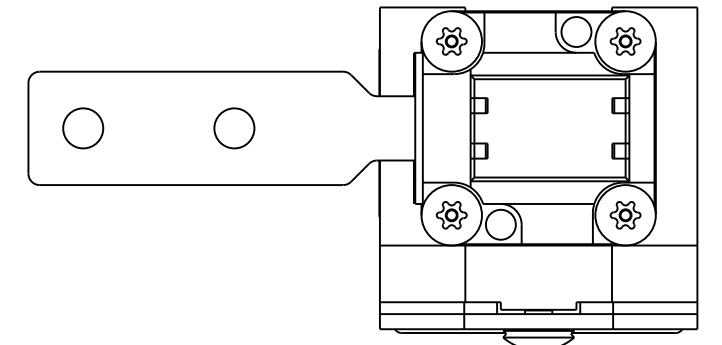
HEAD CODE M

8,0



HEAD CODE N

23,0



HEAD CODE P

22,0

ISSUE 30  
 DRAWING NUMBER  
 M GK SERIES CHART 3  
 PAGE 3 OF 8  
 RELEASE NO. PR-23758  
 CHECK RS 07JAN09  
 REPLACES  
 REVISIONS  
 A 206394 TSM 9SEP02  
 B 206443 JLF 13SEP02  
 C 206976 JLF 27NOV02  
 D 207003 GFL 4DEC02  
 E 207211 TSM 15JAN03  
 F 207576 TSM 5MAR03  
 G 0000385 GFL 2JUN03  
 H 0025008 BNA 21SEP06  
 J 0047425 JLF 07JAN09  
 DRAWN MAM 31 AUG 98  
 CHECK JAF  
 P.T.C./CAD 30

THIS DRAWING COVERS A PROPRIETARY ITEM AND IS THE PROPERTY OF MICRO SWITCH, A DIVISION OF HONEYWELL. THIS DRAWING IS NOT TO BE COPIED OR USED WITHOUT THE APPROVAL OF MICRO SWITCH.

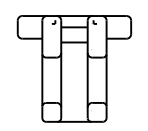
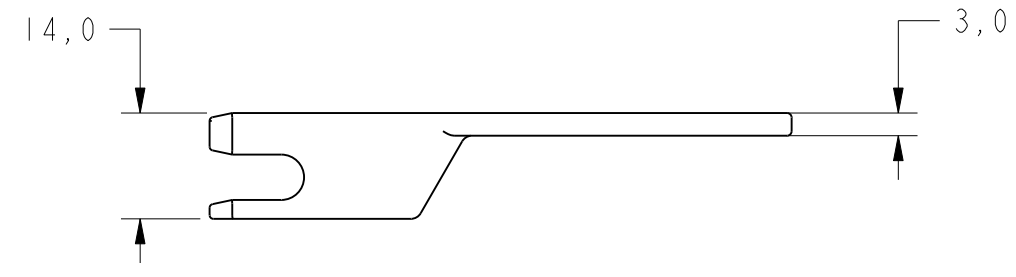
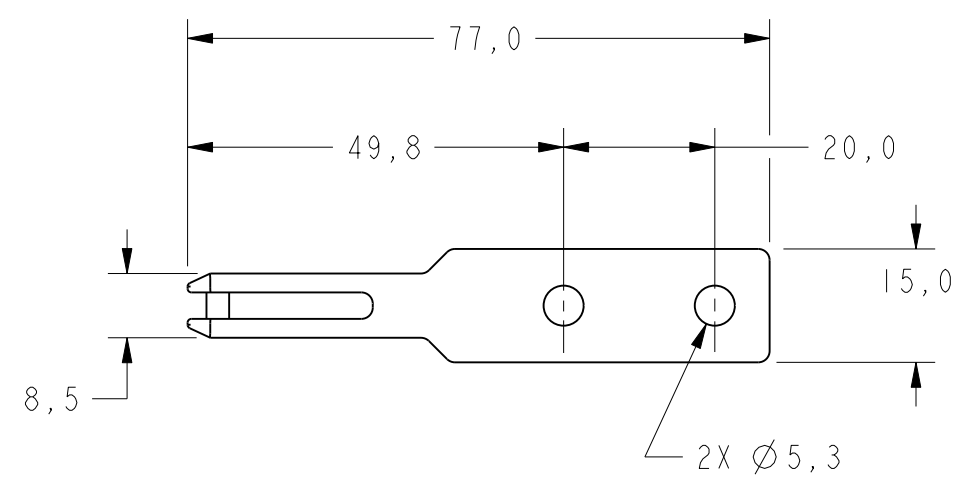
MICRO SWITCH  
 a Honeywell Division

SWITCH - LIMIT

CATALOG LISTING  
 GK SERIES CHART 3

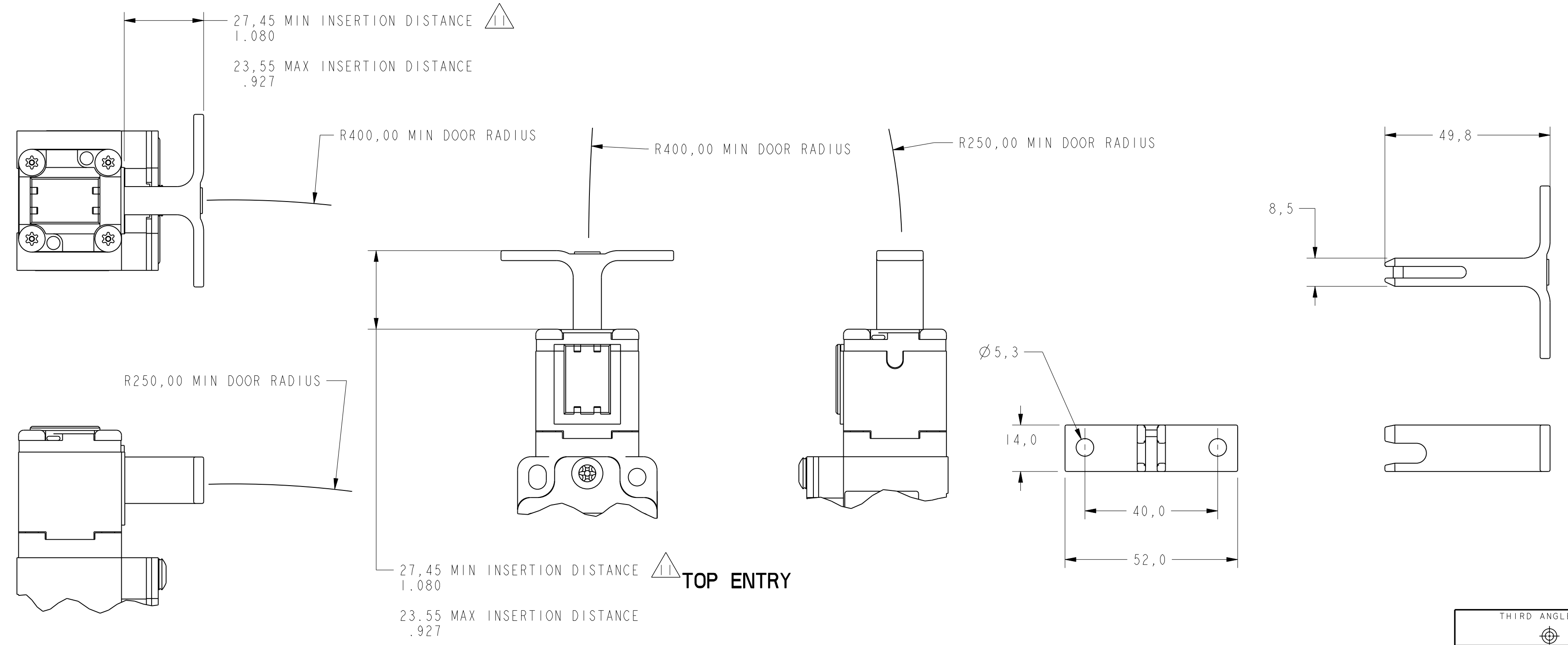
ANSI Y14.5M-1982 APPLIES  
 FED. MFG. CODE 91929

THIRD ANGLE PROJECTION		
SCALE FULL		
DO NOT SCALE PRINT		
UNLESS OTHERWISE SPECIFIED TOLERANCES ARE		
ONE PLACE	(.0)	±.030
TWO PLACES	(.00)	±.015
THREE PLACES	(.000)	±.005
ANGLES		±
WEIGHT APPROX .5 HG / 1 LB		



KEY CODE 6

P.T.C./CAD 30  
 DRAWN MAM 31 AUG 98  
 CHECK JAF 07 JAN 09  
 DVM 12 MAY 99  
 CHECK 21 SEP 06  
 RS 07 JAN 09  
 RELEASE NO. PR-23758  
 REPLACES  
 M GK SERIES CHART 3  
 PAGE 4 OF 8  
 DRAWING NUMBER  
 ISSUE 30

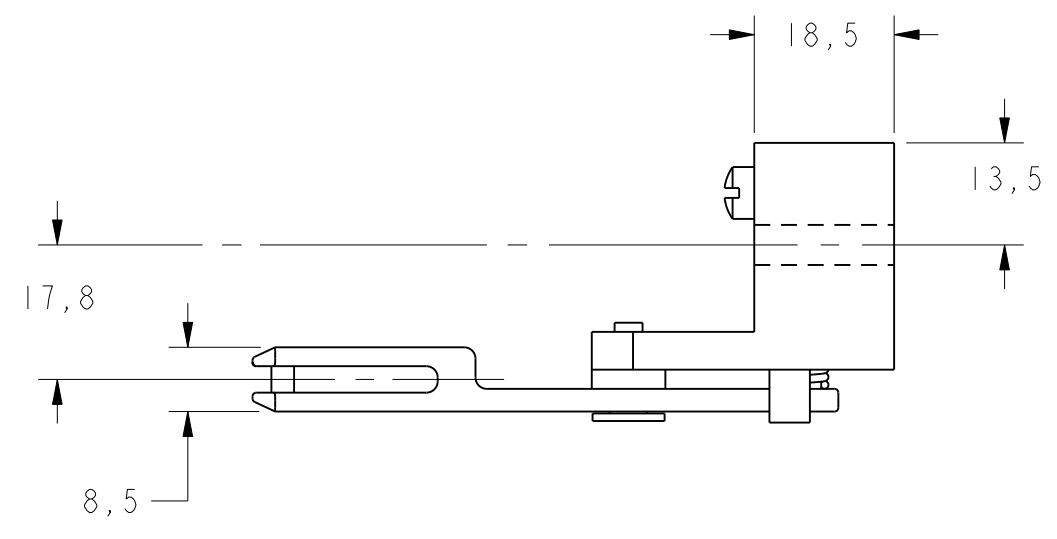
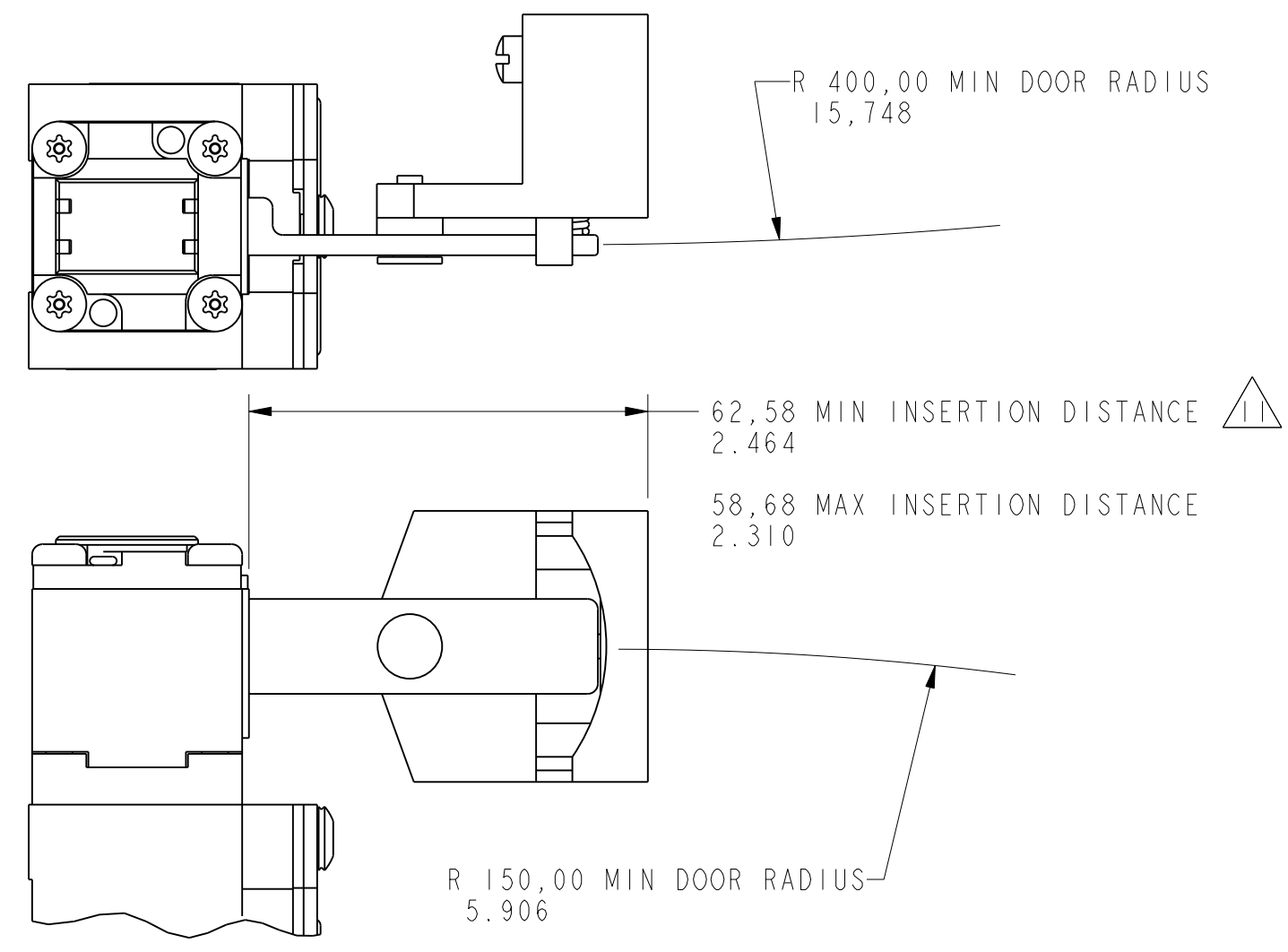


FRONT ENTRY

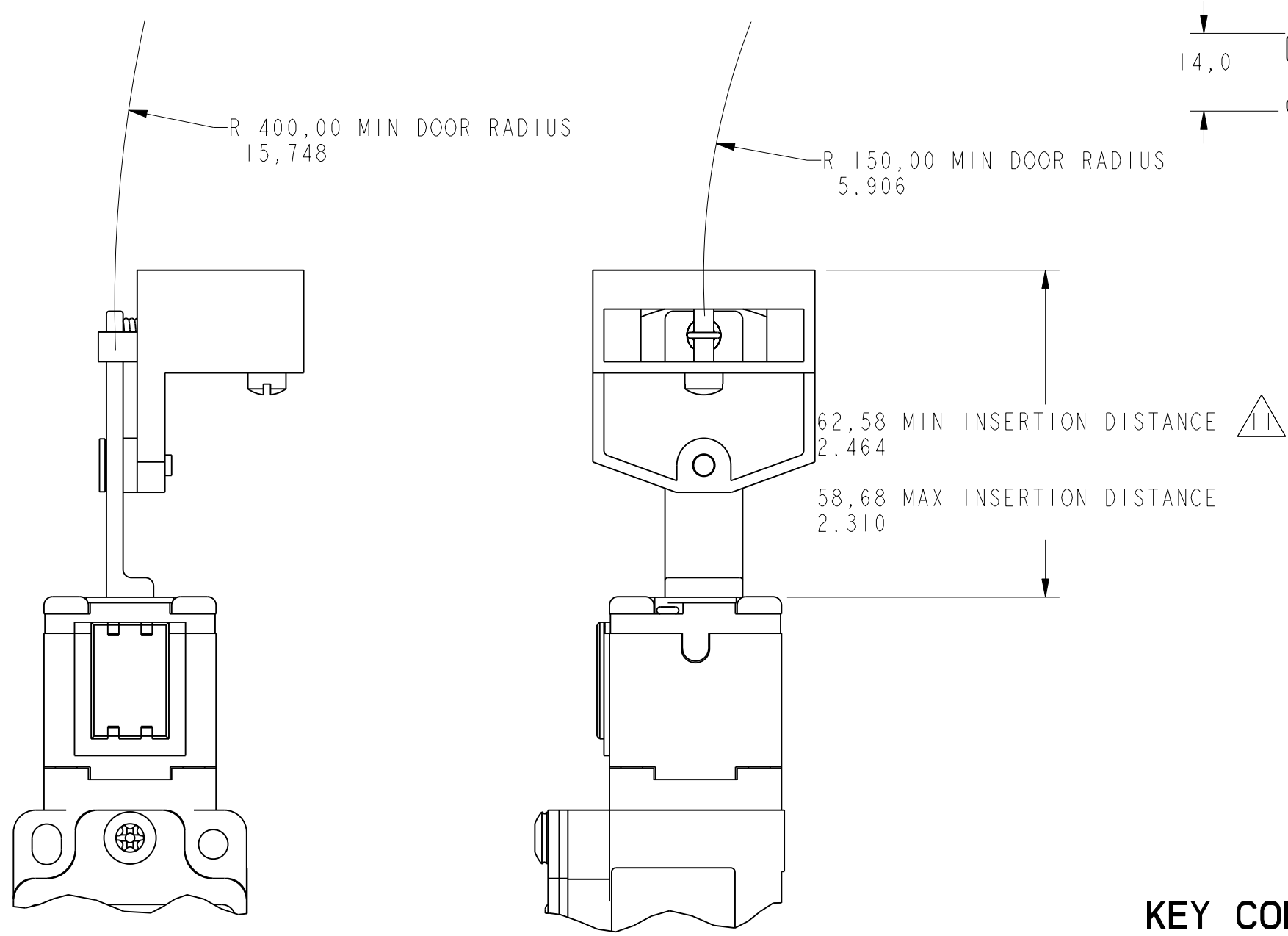
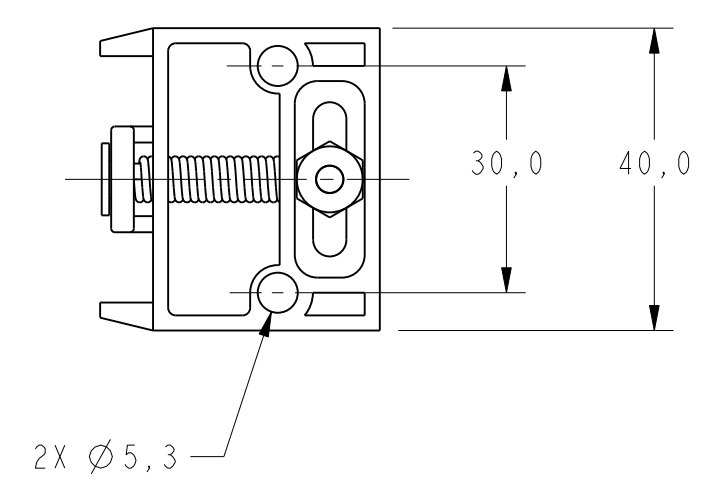
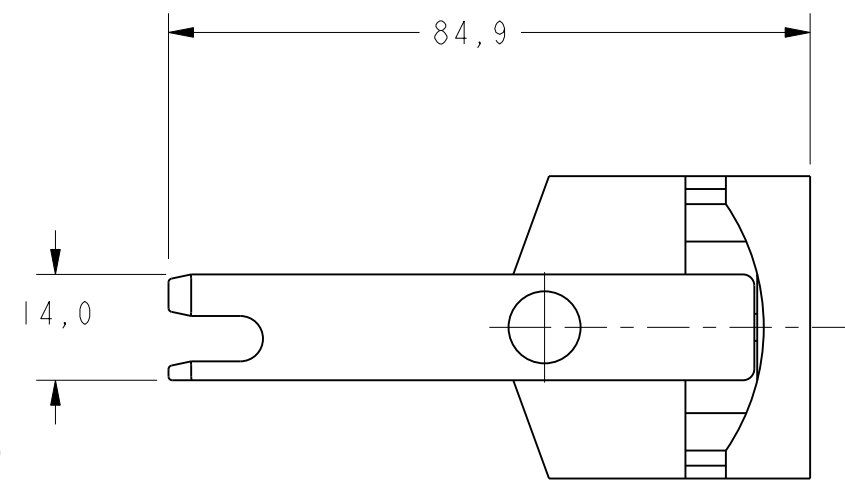
KEY CODE 7

THIS DRAWING COVERS A PROPRIETARY ITEM AND IS THE PROPERTY OF MICRO SWITCH, A DIVISION OF HONEYWELL. THIS DRAWING IS NOT TO BE COPIED OR USED WITHOUT THE APPROVAL OF MICRO SWITCH.		
<b>MICRO SWITCH</b> a Honeywell Division	SWITCH - LIMIT	CATALOG LISTING <b>GK SERIES CHART 3</b>
ANSI Y14.5M-1982 APPLIES		
FED. MFG. CODE 91929		

THIRD ANGLE PROJECTION		
SCALE FULL		
DO NOT SCALE PRINT		
UNLESS OTHERWISE SPECIFIED TOLERANCES ARE		
ONE PLACE	(.0)	± .030
TWO PLACES	(.00)	± .015
THREE PLACES	(.000)	± .005
ANGLES		±
WEIGHT APPROX .5 KG / 1 LB		



FRONT ENTRY



KEY CODE 8

TOP ENTRY

THIS DRAWING COVERS A PROPRIETARY ITEM AND IS THE PROPERTY OF MICRO SWITCH, A DIVISION OF HONEYWELL. THIS DRAWING IS NOT TO BE COPIED OR USED WITHOUT THE APPROVAL OF MICRO SWITCH.

**MICRO SWITCH**  
a Honeywell Division

SWITCH - LIMIT

CATALOG LISTING  
**GK SERIES CHART 3**

ANSI Y14.5M-1982 APPLIES

FED. MFG. CODE 91929

THIRD ANGLE PROJECTION		
SCALE FULL		
DO NOT SCALE PRINT		
UNLESS OTHERWISE SPECIFIED TOLERANCES ARE		
ONE PLACE	(.0)	±.030
TWO PLACES	(.00)	±.015
THREE PLACES	(.000)	±.005
ANGLES		±
WEIGHT APPROX .5 KG / 1 LB		

REVISIONS

REV	DATE	BY	CHKD	DESCRIPTION
A	206394	TSM	9SEP02	
B	206443	JLR	13SEP02	
C	206976	JLR	27NOV02	
D	207003	GLR	4DEC02	
E	207211	TSM	15JAN03	
F	207576	TSM	5MAR03	
G	0000385	GLR	2JUN03	
H	0025008	UNA	21SEP06	
J	0047425	LK	07JAN09	

ISSUE 30

DRAWING NUMBER 30

PAGE 5 OF 8

RELEASE NO. PR-23758

07JAN09

RS

CHECK DVM

12MAY99

JAF

07JAN09

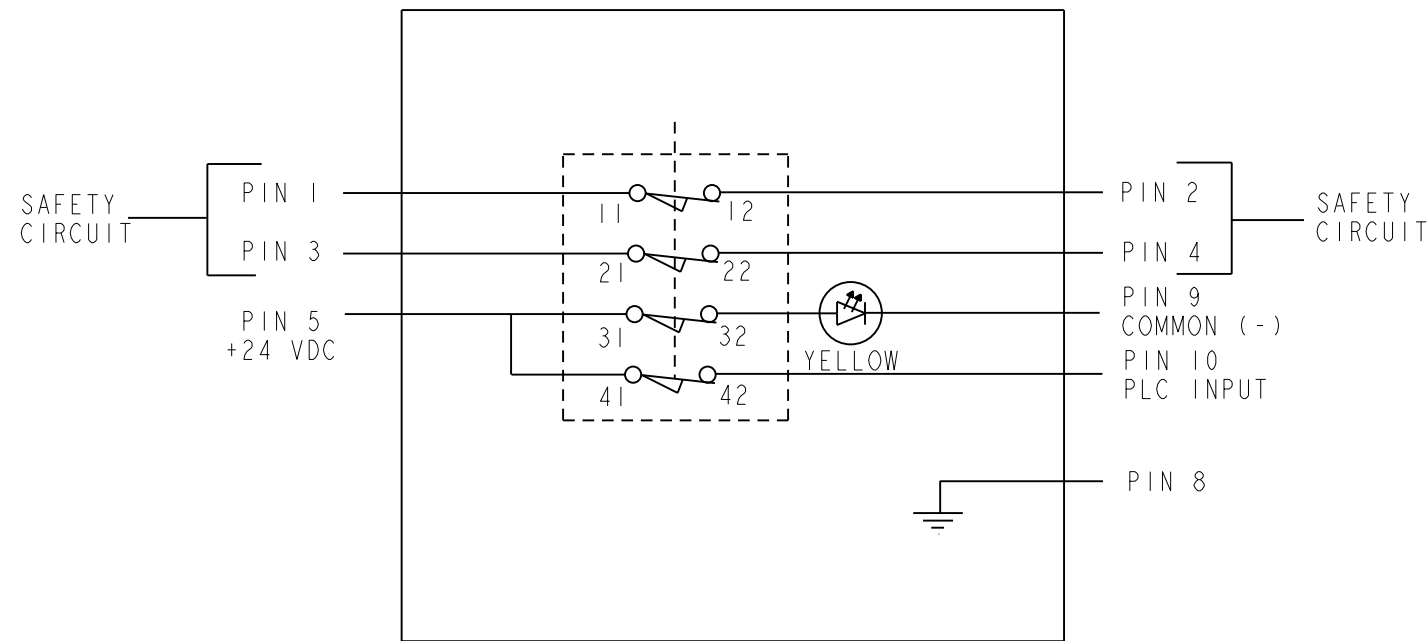
SEP 98

30

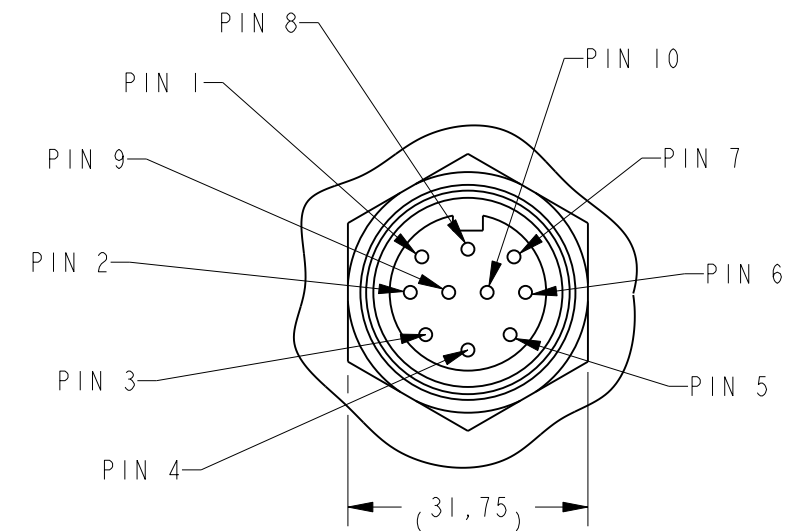
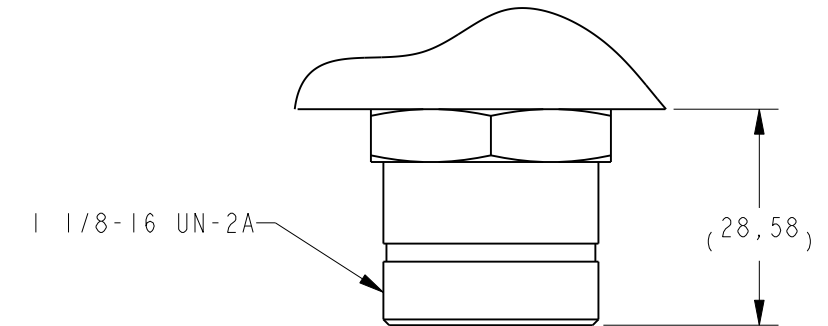
P.T.C./CAD



**MODIFICATION CODE: F06**



**SWITCH DIAGRAM STATE SHOWN WITH KEY INSERTED**



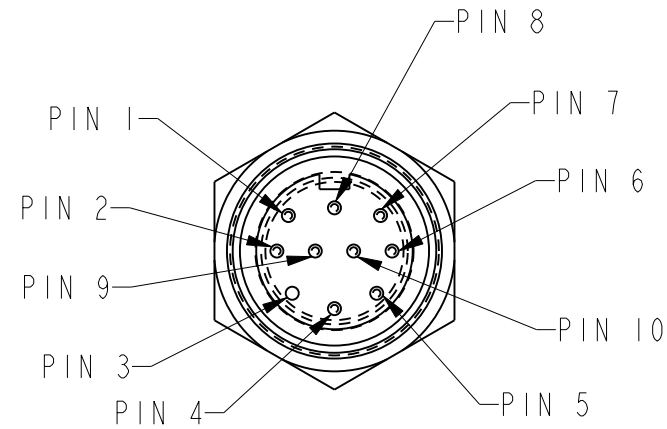
300V 2.5A  
BRAD HARRISON PART NO. 47205-22  
OR EQUIVALENT

CATALOG LISTING **GK SERIES CHART 3** PAGE 7 OF 8  
 ISSUE **30** RS 07 JAN 09 RELEASE NO. PR-23758  
 REVISIONS  
 A 206394 TSM 09 SEP 02  
 B 206443 J LH 13 SEP 02  
 C 206976 J LH 27 NOV 02  
 D 207003 GLH 4 DEC 02  
 E 207211 TSM 15 JAN 03  
 F 207576 TSM 5 MAR 03  
 G 0000385 GLH 02 JUN 03  
 H 0025008 BNA 21 SEP 06  
 J 0047425 LK 07 JAN 09  
 PTC/CAD 3D  
 DRAWN LJK 11 NOV 99 CHECK LJK 07 JAN 09  
 REPLACES 07 JAN 09 CHECK 21 SEP 06 DVM 11 NOV 99 CHECK 07 JAN 09

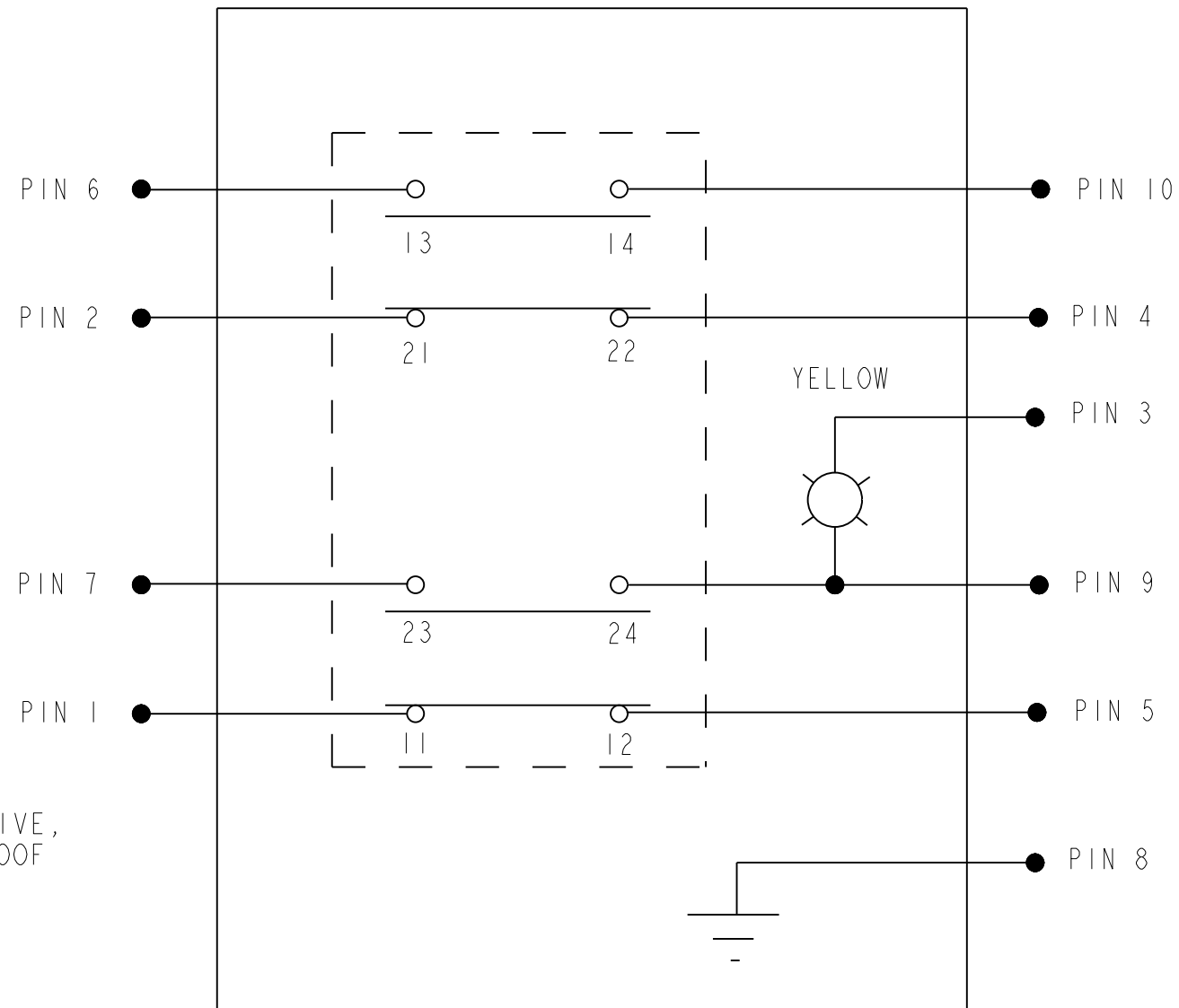
ANSI Y14.5M-1982 APPLIES

THIRD ANGLE PROJECTION				
SCALE NONE				
DO NOT SCALE PRINT				
TOLERANCES				
APPLY TO DESIGN UNITS. CONVERSIONS ARE ONLY FOR REFERENCE. UNLESS NOTED, TOLERANCES ARE :				
	DIM.	TOL	DIM.	TOL
	mm	mm/in	in	mm/in
NO PLACES	X	1/.04	X.X	0.8/.03
ONE PLACE	X.X	0.4/.016	X.XX	0.38/.015
TWO PLACES	X.XX	0.15/.006	X.XXX	0.13/.005
THREE PLACES				
ANGLES				
DESIGN UNITS		SI METRIC <input checked="" type="checkbox"/>	US CUSTOMARY <input type="checkbox"/>	
WEIGHT APPROX .5KG / 1LB				

MODIFICATION CODE: FW



10-PIN CONNECTOR 



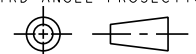
**BASIC SWITCH TO 10-PIN CONNECTOR  
CIRCUIT DIAGRAM  
DIAGRAM SHOWN WITH KEY INSERTED**

**NOTES**

- 1 - THE TWO COVER SCREWS ARE COMBINATION DRIVE, THE FOUR HEAD SCREWS ARE T-15 TAMPER PROOF TORX DRIVE (DRIVER BIT IS PROVIDED) 10-PIN CONNECTOR, BRAD HARRISON PART NO. 47205-22 OR EQUIVALENT



CATALOG LISTING **GK SERIES CHART 3**  
 PAGE 8 OF 8  
 ISSUE **30**  
 REVISIONS  
 A 206394 TSM 9SEP02  
 B 206443 JLH 13SEP02  
 C 206976 JLH 27NOV02  
 D 207003 GLH 4DEC02  
 E 207211 TSM 15JAN03  
 F 207576 TSM 5MAR03  
 G 0000385 GLH 2JUN03  
 H 0025008 BNA 21SEP06  
 J 0047425 LK 07JAN09  
 PTC/CAD 3D  
 DRAWN  
 GRT 18 JAN 00 CHECK  
 SAV 18 JAN 00 CHECK  
 DVM 18 JAN 00 CHECK  
 D 207003  
 C 206976  
 B 206443  
 A 206394  
 RS 07 JAN 09 CHECK  
 PR-23758  
 REPLACES

THIRD ANGLE PROJECTION				
				
SCALE NONE				
DO NOT SCALE PRINT				
TOLERANCES				
APPLY TO DESIGN UNITS. CONVERSIONS ARE ONLY FOR REFERENCE. UNLESS NOTED, TOLERANCES ARE :				
	DIM.	TOL	DIM.	TOL
	mm	mm/in	in	mm/in
NO PLACES	X	1/.04	X.X	0.8/.03
ONE PLACE	X.X	0.4/.016	X.XX	0.38/.015
TWO PLACES	X.XX	0.15/.006	X.XXX	0.13/.005
THREE PLACES				
ANGLES				
	SI METRIC		US CUSTOMARY	
DESIGN UNITS	<input checked="" type="checkbox"/>		<input type="checkbox"/>	
WEIGHT	0,4 KG / 1LB			