

# ***DAP Signal Conditioning Board***

## *User's Guide*

## IMPORTANT NOTICE

Texas Instruments Incorporated and its subsidiaries (TI) reserve the right to make corrections, modifications, enhancements, improvements, and other changes to its products and services at any time and to discontinue any product or service without notice. Customers should obtain the latest relevant information before placing orders and should verify that such information is current and complete. All products are sold subject to TI's terms and conditions of sale supplied at the time of order acknowledgment.

TI warrants performance of its hardware products to the specifications applicable at the time of sale in accordance with TI's standard warranty. Testing and other quality control techniques are used to the extent TI deems necessary to support this warranty. Except where mandated by government requirements, testing of all parameters of each product is not necessarily performed.

TI assumes no liability for applications assistance or customer product design. Customers are responsible for their products and applications using TI components. To minimize the risks associated with customer products and applications, customers should provide adequate design and operating safeguards.

TI does not warrant or represent that any license, either express or implied, is granted under any TI patent right, copyright, mask work right, or other TI intellectual property right relating to any combination, machine, or process in which TI products or services are used. Information published by TI regarding third-party products or services does not constitute a license from TI to use such products or services or a warranty or endorsement thereof. Use of such information may require a license from a third party under the patents or other intellectual property of the third party, or a license from TI under the patents or other intellectual property of TI.

Reproduction of information in TI data books or data sheets is permissible only if reproduction is without alteration and is accompanied by all associated warranties, conditions, limitations, and notices. Reproduction of this information with alteration is an unfair and deceptive business practice. TI is not responsible or liable for such altered documentation.

Resale of TI products or services with statements different from or beyond the parameters stated by TI for that product or service voids all express and any implied warranties for the associated TI product or service and is an unfair and deceptive business practice. TI is not responsible or liable for any such statements.

Following are URLs where you can obtain information on other Texas Instruments products and application solutions:

<b>Products</b>		<b>Applications</b>	
Amplifiers	<a href="http://amplifier.ti.com">amplifier.ti.com</a>	Audio	<a href="http://www.ti.com/audio">www.ti.com/audio</a>
Data Converters	<a href="http://dataconverter.ti.com">dataconverter.ti.com</a>	Automotive	<a href="http://www.ti.com/automotive">www.ti.com/automotive</a>
DSP	<a href="http://dsp.ti.com">dsp.ti.com</a>	Broadband	<a href="http://www.ti.com/broadband">www.ti.com/broadband</a>
Interface	<a href="http://interface.ti.com">interface.ti.com</a>	Digital Control	<a href="http://www.ti.com/digitalcontrol">www.ti.com/digitalcontrol</a>
Logic	<a href="http://logic.ti.com">logic.ti.com</a>	Military	<a href="http://www.ti.com/military">www.ti.com/military</a>
Power Mgmt	<a href="http://power.ti.com">power.ti.com</a>	Optical Networking	<a href="http://www.ti.com/opticalnetwork">www.ti.com/opticalnetwork</a>
Microcontrollers	<a href="http://microcontroller.ti.com">microcontroller.ti.com</a>	Security	<a href="http://www.ti.com/security">www.ti.com/security</a>
		Telephony	<a href="http://www.ti.com/telephony">www.ti.com/telephony</a>
		Video & Imaging	<a href="http://www.ti.com/video">www.ti.com/video</a>
		Wireless	<a href="http://www.ti.com/wireless">www.ti.com/wireless</a>

Mailing Address: Texas Instruments  
Post Office Box 655303 Dallas, Texas 75265

Copyright © 2004, Texas Instruments Incorporated

## EVM IMPORTANT NOTICE

Texas Instruments (TI) provides the enclosed product(s) under the following conditions:

This evaluation kit being sold by TI is intended for use for **ENGINEERING DEVELOPMENT OR EVALUATION PURPOSES ONLY** and is not considered by TI to be fit for commercial use. As such, the goods being provided may not be complete in terms of required design-, marketing-, and/or manufacturing-related protective considerations, including product safety measures typically found in the end product incorporating the goods. As a prototype, this product does not fall within the scope of the European Union directive on electromagnetic compatibility and therefore may not meet the technical requirements of the directive.

Should this evaluation kit not meet the specifications indicated in the EVM User's Guide, the kit may be returned within 30 days from the date of delivery for a full refund. **THE FOREGOING WARRANTY IS THE EXCLUSIVE WARRANTY MADE BY SELLER TO BUYER AND IS IN LIEU OF ALL OTHER WARRANTIES, EXPRESSED, IMPLIED, OR STATUTORY, INCLUDING ANY WARRANTY OF MERCHANTABILITY OR FITNESS FOR ANY PARTICULAR PURPOSE.**

The user assumes all responsibility and liability for proper and safe handling of the goods. Further, the user indemnifies TI from all claims arising from the handling or use of the goods. Please be aware that the products received may not be regulatory compliant or agency certified (FCC, UL, CE, etc.). Due to the open construction of the product, it is the user's responsibility to take any and all appropriate precautions with regard to electrostatic discharge.

**EXCEPT TO THE EXTENT OF THE INDEMNITY SET FORTH ABOVE, NEITHER PARTY SHALL BE LIABLE TO THE OTHER FOR ANY INDIRECT, SPECIAL, INCIDENTAL, OR CONSEQUENTIAL DAMAGES.**

TI currently deals with a variety of customers for products, and therefore our arrangement with the user **is not exclusive**.

TI assumes **no liability for applications assistance, customer product design, software performance, or infringement of patents or services described herein**.

Please read the EVM User's Guide and, specifically, the EVM Warnings and Restrictions notice in the EVM User's Guide prior to handling the product. This notice contains important safety information about temperatures and voltages. For further safety concerns, please contact the TI application engineer.

Persons handling the product must have electronics training and observe good laboratory practice standards.

No license is granted under any patent right or other intellectual property right of TI covering or relating to any machine, process, or combination in which such TI products or services might be or are used.

Mailing Address:

Texas Instruments  
Post Office Box 655303  
Dallas, Texas 75265

## **EVM WARNINGS AND RESTRICTIONS**

When operating the bipolar signal conditioning board (OPA2132 devices), it is important to operate within the input voltage range of 15 V and the output voltage range of -15 V and 15 V.

When operating the unipolar signal conditioning board (OPA2350 devices), it is important to operate within the input voltage range of 5 V and the output voltage range of 0 V and 5 V.

Exceeding the specified input range may cause unexpected operation and/or irreversible damage to the EVM. If there are questions concerning the input range, please contact a TI field representative prior to connecting the input power.

Applying loads outside of the specified output range may result in unintended operation and/or possible permanent damage to the EVM. Please consult the EVM User's Guide prior to connecting any load to the EVM output. If there is uncertainty as to the load specification, please contact a TI field representative.

During normal operation, some circuit components may have case temperatures greater than  $xxx^{\circ}\text{C}$ . The EVM is designed to operate properly with certain components above  $xxx^{\circ}\text{C}$  as long as the input and output ranges are maintained. These components include but are not limited to linear regulators, switching transistors, pass transistors, and current sense resistors. These types of devices can be identified using the EVM schematic located in the EVM User's Guide. When placing measurement probes near these devices during operation, please be aware that these devices may be very warm to the touch.

Mailing Address:

Texas Instruments  
Post Office Box 655303  
Dallas, Texas 75265

# Read This First

---

---

---

### ***About This Manual***

The DAP Signal Conditioning Board is designed to provide general purpose signal conditioning to evaluation modules from the Data Acquisition Products-Group. This board amplifies/filters analog signals to/from a variety of A-to-D and D-to-A converters. When combined with additional sensor or amplifier boards, it can be used as part of a complete data acquisition system for a variety of applications.

### ***How to Use This Manual***

This document contains the following chapters:

Chapter 1—Introduction

Chapter 2—Analog Inputs

Chapter 3—Analog Outputs

Chapter 4—Power Supply Requirements

Chapter 5—Amplifier Configuration Options

Chapter 6—DAP Signal Conditioning Board Assembly and Board Schematics

### ***Related Documentation From Texas Instruments***

*TMS320 Cross -Platform Daughtercard Specification* – SPRA711

*5-6K Interface Evaluation Module* – SLAU104

*C2000 Interface Evaluation Module* - SLAU106

*OPA2132, High Speed FET - Input Operational Amplifiers* – OPA2132

*OPA2350, High-Speed, Single-Supply, Rail-to-Rail Operational Amplifiers*

*MicroAmplifier(TM) Series* - SBOS099

*REG1117-25, 800mA Low Dropout (LDO) Positive Regulator 2.5V* - SBVS001

***FCC Warning***

This equipment is intended for use in a laboratory test environment only. It generates, uses, and can radiate radio frequency energy and has not been tested for compliance with the limits of computing devices pursuant to subpart J of part 15 of FCC rules, which are designed to provide reasonable protection against radio frequency interference. Operation of this equipment in other environments may cause interference with radio communications, in which case the user at his own expense will be required to take whatever measures may be required to correct this interference.

# Contents

---

---

---

<b>1</b>	<b>Introduction</b> .....	<b>1-1</b>
<b>2</b>	<b>Analog Inputs</b> .....	<b>2-1</b>
2.1	As an Input to a Analog-to-Digital Converter EVM .....	2-2
2.2	As an Output to a Digital-to-Analog Converter EVM .....	2-3
<b>3</b>	<b>Analog Outputs</b> .....	<b>3-1</b>
3.1	As an Input to a Analog-to-Digital Converter EVM .....	3-2
3.2	As an Output From a Digital-to-Analog Converter EVM .....	3-2
3.3	VCOM, REF(-) and REF(+) Options .....	3-3
3.3.1	Installation Example .....	3-3
<b>4</b>	<b>Power Supply Requirements</b> .....	<b>4-1</b>
4.1	Power Connections to the Signal Conditioning Card .....	4-2
4.2	Single- or Dual-Supply Options .....	4-2
<b>5</b>	<b>Amplifier Configuration Options</b> .....	<b>5-1</b>
5.1	Single Ended Inputs .....	5-2
5.2	Differential Inputs .....	5-2
<b>6</b>	<b>DAP Signal Conditioning Board Assembly and Board Schematics</b> .....	<b>6-1</b>
6.1	DAP Signal Conditioning Board Assembly .....	6-2
6.2	DAP Signal Conditioning Board Schematic .....	6-4

# Figures

---

---

---

2-1	Application of Analog Source to ADC .....	2-2
3-1	Signal Conditioning Board Installation on 5-6K Interfaces .....	3-3
5-1	Typical Channel Configuration+Factory Defaults .....	5-3
6-1	Board Assembly (Top View) .....	6-2
6-2	Board Assembly (Bottom View) .....	6-2
6-3	Board Assembly (Top / Side View) .....	6-3
6-4	Board Schematic .....	6-4

# Tables

---

---

---

2-1	Signal Conditioning Board J1 and J2-J5 Connections .....	2-3
3-1	Signal Conditioning Board J1 and J2-J5 Connections .....	3-2
4-1	Signal Conditioning Power Connections—J9 .....	4-2
5-1	Analog Signal Mapping J2-J5 and J1 to J7 .....	5-2



# Introduction

---

---

---

---

The DAP Signal Conditioning Board provides data converter customers with a general purpose analog front/back end to Data Acquisition Products Evaluation Modules from Texas Instruments.

The signal conditioning board is compatible with the 5-6K interface board (SLAU104), the C2000 interface board (SLAU106) and the HPA449 evaluation system from SoftBaugh, Inc. ([www.softbaugh.com](http://www.softbaugh.com)).

The signal conditioning board provides up to eight single ended or four differential channels for use with a wide selection of data converter evaluation boards. Two fundamentally equivalent varieties using either the single supply OPA2350 or dual supply OPA2132 are available. The board contains jumpers and additional component locations which provide a variety of configuration options.

While the Signal Conditioning Board can serve as a stand-alone amplifier for many applications, its primary purpose is as an interface to data acquisition products evaluation boards. This document describes how to use the DAP Signal Conditioning Board in conjunction with the interface boards mentioned above.



# Analog Inputs

---

---

---

---

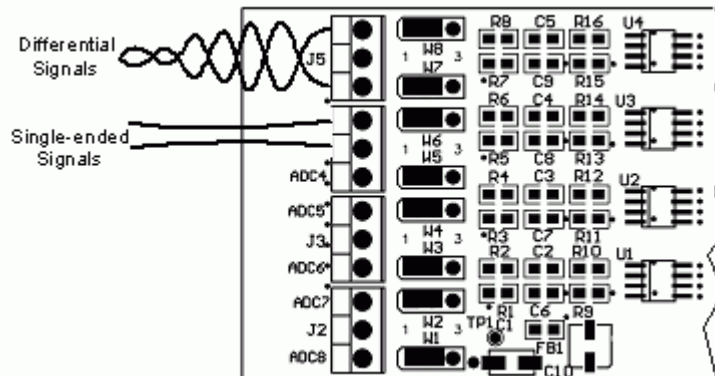
The Signal Conditioning Board provides two primary ways to apply an analog-signal to the amplifiers. The method used to apply the signal is based on whether the board is being used as an input to an analog to digital converter, or an output from a digital to analog converter.

<b>Topic</b>	<b>Page</b>
<b>2.1 As an Input to a Analog-to-Digital Converter EVM . . . . .</b>	<b>2-2</b>
<b>2.2 As an Output to a Digital-to-Analog Converter EVM . . . . .</b>	<b>2-3</b>

## 2.1 As an Input to a Analog-to-Digital Converter EVM

Four three-terminal screw jacks (J5, J4, J3, and J2 are located on the top side of the board to provide a convenient way to attach a variety of signal sources. The screw jacks are arranged as a channel pair for the easy application of differential or single ended analog sources. Single ended sources can be applied to terminal 1 or 3, referenced to terminal 2. Differential sources can be applied between terminals 1 and 3.

Figure 2 - 1. Application of Analog Source to ADC



When used with an analog-to-digital converter EVM, connector J1 (bottom side of PCB) plugs into a male header located on the left edge of the interface board. In this case, J1 acts as a support/stabilization mechanism. The output from the signal conditioning board is available on J7 (top side —20 pin header, bottom side—20 pin socket). The 20-pin socket portion of J7 plugs into the analog I/O header located on the interface board.

## 2.2 As an Output to a Digital-to-Analog Converter EVM

The twenty pin female socket (J1) provides the analog input to the signal conditioning board when it is used in conjunction with a digital to analog converter EVM.

Connector J1 plugs onto the male analog I/O header located on the interface board. Table 2-1 shows the analog input connector pin out.

Table 2-1. Signal Conditioning Board J1 and J2-J5 Connections

Signal	Pin Number		Signal
	J1	J2-J5	
AGND	1	2	A0
AGND	3	4	A1
AGND	5	6	A2
AGND	7	8	A3
AGND	9	10	A4
AGND	11	12	A5
AGND	13	14	A6
AGND	15	16	A7
AGND	17	18	No connection
AGND	19	20	No connection

**Note:** AGND connections on J2 through J5 are made on pin 2 (center screw terminal)

Differential signals are typically applied across adjacent channels. For instance, a single channel, differential DAC output would connect to the A0(+) and A1(-) inputs. Check the data converter EVM User's Guide for the exact input configuration.



# Analog Outputs

---

---

---

---

The signal conditioning board provides two 20-pin connectors, designated J7 top and J7 bottom. J7 facilitates easy connections to various interface boards, ribbon cables or other user customized boards. The following sections provide details based on the signal conditioning needs of the application.

<b>Topic</b>	<b>Page</b>
<b>3.1 As An Input to a Analog-to-Digital Converter EVM .....</b>	<b>3-2</b>
<b>3.2 As An Input From a Digital-to-Analog Converter EVM .....</b>	<b>3-2</b>
<b>3.3 VCOM, REF(-) and fREF(+) Optiions .....</b>	<b>3-3</b>

### 3.1 As an Input to a Analog-to-Digital Converter EVM

When the signal conditioning board is used with an analog-to-digital converter EVM, connector J1 (bottom side of PCB) plugs into a male header located on the left edge of the interface board, providing support/stabilization.

The output from the signal conditioning board is available on J7. The 20-pin socket portion of J7 plugs into the analog I/O header located on the interface board which then routes the analog signals to the input of the ADC. The 20-pin header portion of J7 provides test point access to the analog signals feeding the ADC. See Table 3-1 for the details of J7 connections.

### 3.2 As an Output From a Digital-to-Analog Converter EVM

When the signal conditioning board is used with a digital-to-analog converter EVM, connector J1 (bottom side of PCB) plugs into one of two male analog I/O headers that provide the raw analog output from the DAC.

In this case, the female socket portion of J7 plugs into one of the male header located on the left edge of the interface board for support. The output from the signal conditioning board is available from the 20-pin male header portion of J7. Standard 0.1 inch center IDC ribbon cables can then feed the analog signal to any additional circuits or user customized board.

Table 3-1. Signal Conditioning Board J1 and J2 - J5 Connections

Signal	Pin Number (Pins and Socket)		Signal
AGND	1	2	A0
AGND	3	4	A1
AGND	5	6	A2
AGND	7	8	A3
AGND	9	10	A4
AGND	11	12	A5
AGND	13	14	A6
VCOM	15	16	A7
AGND	17	18	REF(-)
AGND	19	20	REF(+)

The J7 header/socket combination is a feed through design. Signals at the pins are identical to those on the sockets located directly below them. As mentioned previously, differential signals are typically applied between adjacent channels; consult the user's guide of the data converter EVM for configuration information.



### 3.3 VCOM, REF(-) and REF(+) Options

Signals VCOM, REF( - ) and REF(+) provide additional flexibility to certain ADC evaluation modules. In some cases, ADCs that provide a reference voltage output may have that voltage routed to the analog I/O connector for use as a biasing voltage for the amplifiers on the signal condition board. The REF( - ) and REF(+) signals can also be routed to certain ADC and DAC boards in order to provide the data converter with a user definable reference input. Details for the specific use of these signals should be found in the users guide for the individual data converter evaluation module.

External reference voltages may be applied to three-terminal screw jack (J8). REF (+) is applied to pin 1, REF ( - ) to pin 3. The external reference voltages are grounded at J8, pin 2. Test points 2, 4, and 5 are used to monitor the external reference.

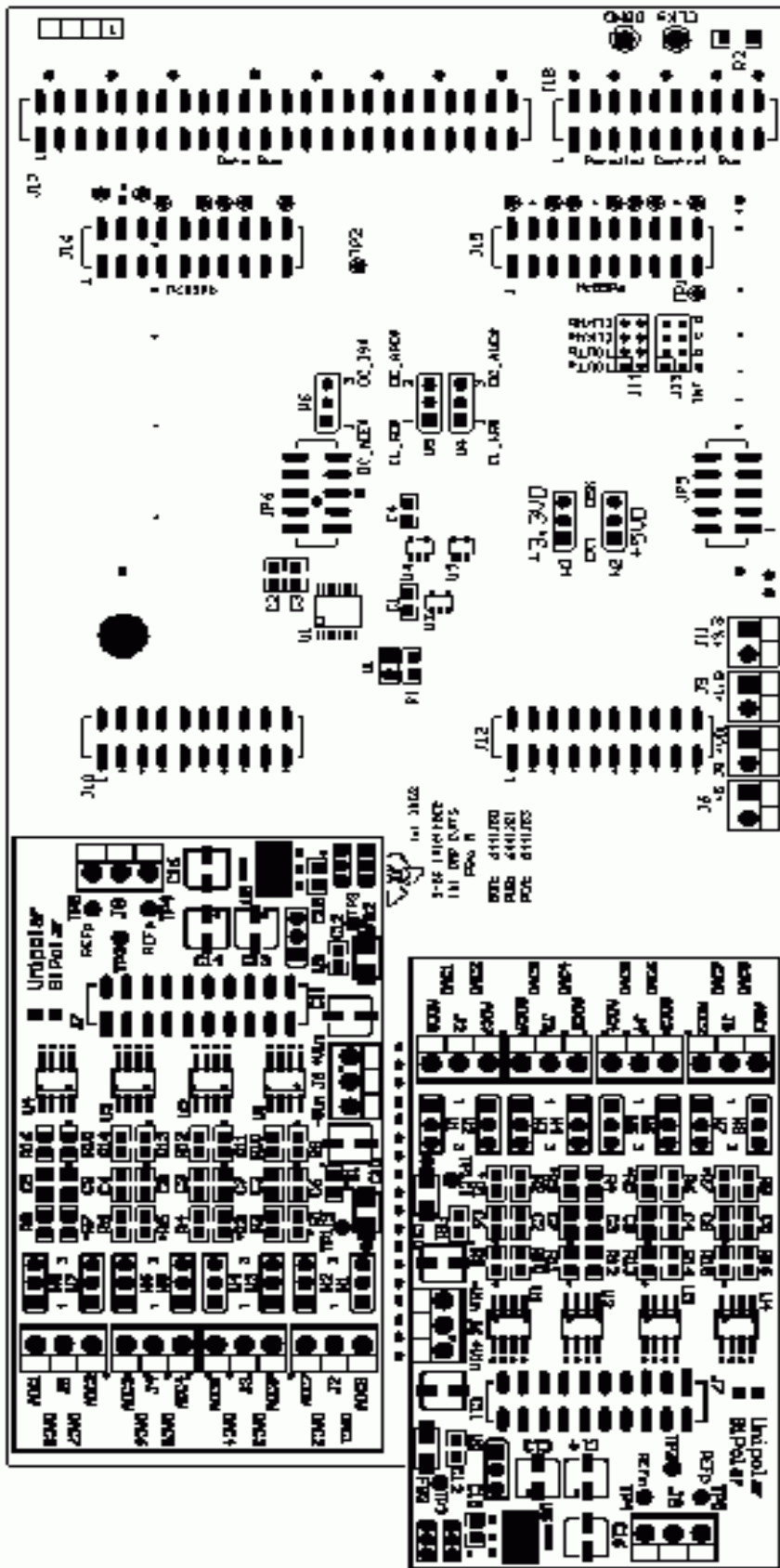
By default, the amplifiers on the signal conditioning board are biased to 2.5 V by means of an on-board voltage regulator (U5). W9 selects the on-board regulator (position 1-2) or the external VCOM voltage applied to J7 (position 2-3). To remove the bias voltage and ground the inverting inputs of the amplifiers, W9 is placed in position 2-3 with an additional shut jumper placed on J7, pins 15-17.

#### 3.3.1 Installation Example

Figure 3-1 shows an installation example using two signal conditioning boards on the 5-6K interface card. The C2000 and HPA449 interface cards have the same connector arrangement which allows the signal conditioning board to be used across all three platforms.

*Figure 3-1. Signal Conditioning Board Installation on 5-6K Interfaces*

As Input to ADC



As Output from DAC



# **Power Supply Requirements**

---

---

---

---

The following section provides details on the power option/requirements of the signal conditioning board.

<b>Topic</b>	<b>Page</b>
<b>4.1 Power Connections to the Signal Conditioning Card .....</b>	<b>4-2</b>
<b>4.2 Single-or Dual-Supply Options .....</b>	<b>4-2</b>

### 4.1 Power Connections to the Signal Conditioning Card

As with the analog inputs, two power options are provided. When the signal condition board is used with an interface card, power is typically applied through J9, a 6-pin female socket located beside J7 on the bottom of the board. For stand alone applications, power can be applied to the three position screw jack, J6 (see the schematics for details).

### 4.2 Single- or Dual-Supply Options

Jumpers W10 and W11 are used to define power applied to the signal conditioning board. W10 and W11 are hard wired based on the installed op-amps. For the OPA2132 dual supply devices, pins 1-2 are shorted. For the single supply OPA2350 devices, W10 and W11 are shorted pins 2-3.

Dual supply OPA2132 devices are powered from VA and -VA as shown in Table 4-1 VA are defined as ±18 V max, but are typically powered from ±12 V or ±15 V when used with an appropriate interface board.

Single supply OPA2350 devices are powered from 5 VA. All power is referenced to AGND. Table 4-1 shows the power connector voltages supplied to the signal conditioning module.

Table 4-1. Signal Conditioning Power Connections—J9

Signal	Pin Number		Signal
+VA	1	2	-VA
5VA	3	4	-5VA
AGND	5	6	AGND

**Warning**

**Do not exceed recommended power supply input voltages to the 5-6K interface board or to the C2000 interface board when used in conjunction with the DAP signaling conditioning boards.**

# **Amplifier Configuration Options**

---

---

---

This section provides details on the signal conditioning board input configuration options. The information is based on applying signals to the three-terminal screw jacks, J2–J5. Refer to the schematic at the end of this document and/or Table 1-1 when analog inputs are applied to the J1 connector.

<b>Topic</b>	<b>Page</b>
<b>5.1 Single Ended Inputs</b> .....	<b>5-2</b>
<b>5.2 Differential Inputs</b> .....	<b>5-2</b>

## 5.1 Single Ended Inputs

Single ended analog input signals can be applied to screw jack terminals one or three, referenced to terminal two. While jumpers W1–W9 are in their default positions (pins 1-2), 2.5 V is applied to the noninverting terminals of U1 through U4. A 5 Vp-p signal, from 0-5 V, applied to terminals 1 or 3 will provide an inverted 0-5 V signal to the corresponding output pin on J7. Table 5-1 shows the mapping of J1 through J5 to J7.

Table 5-1. Analog Signal Mapping J2 - J5 and J1 to J7

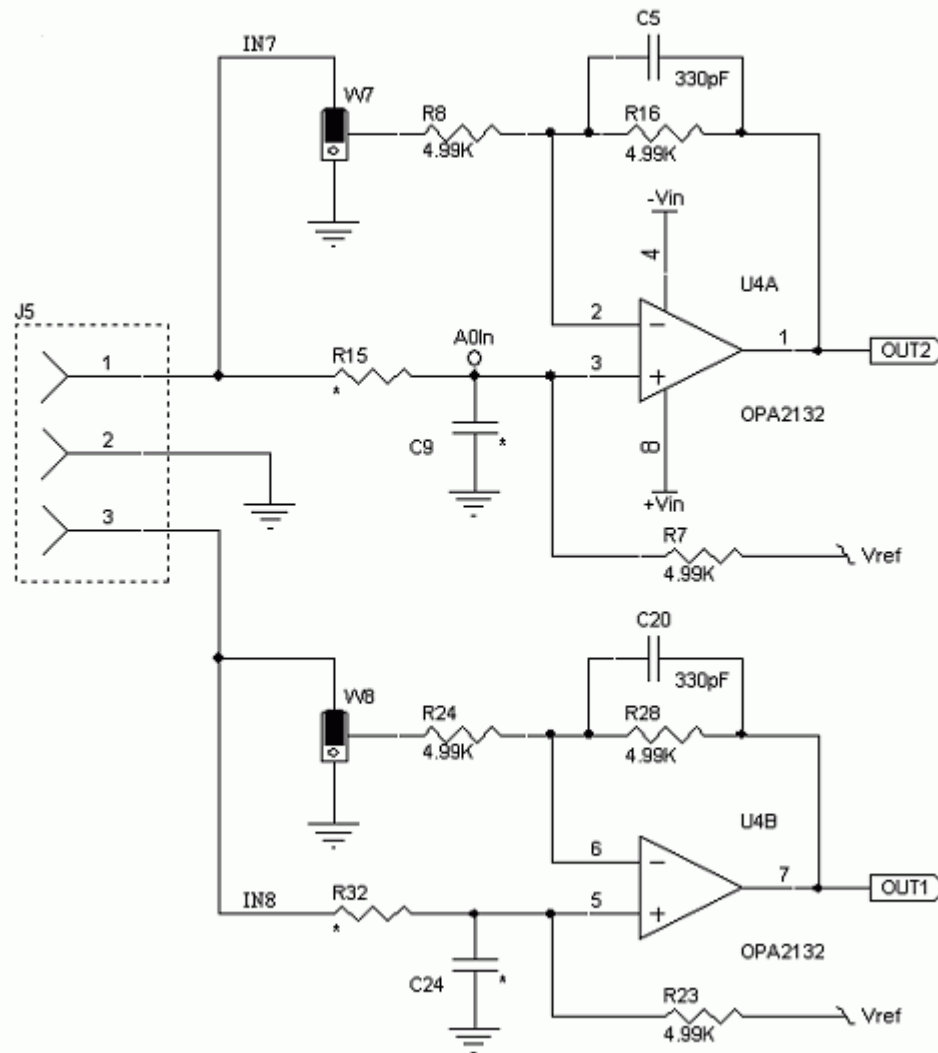
Screw Terminal Signal Input	J1 Signal Input	Signal Output
J5.3 (ADC1)	J1.16 (DAC8)	J7.2
J5.1 (ADC2)	J1.14 (DAC7)	J7.4
J4.3 (ADC3)	J1.12 (DAC6)	J7.6
J4.1 (ADC4)	J1.10 (DAC5)	J7.8
J3.3 (ADC5)	J1.8 (DAC4)	J7.10
J3.1 (ADC6)	J1.6 (DAC3)	J7.12
J2.3 (ADC7)	J1.4 (DAC2)	J7.14
J2.1 (ADC8)	J1.2 (DAC1)	J7.16

## 5.2 Differential Inputs

Differential analog input signals can be applied between screw jack terminals one and three. The output in this case would be a differential signal taken between pins 2 and 4, 6 and 8, 10 and 12 or 14 and 16 of J7, with pins 2, 4, 6, and 8 assumed to be the positive input.

Figure 5-1 provides details of the default signal conditioning board configuration. Components noted with an asterisk in the schematic are not installed. These components are place holders for 0805 size surface mount resistors or capacitors. All shunt jumpers are installed in position 1-2, providing a unity gain inverting buffer configuration.

Figure 5-1. Typical Channel Configuration+Factory Defaults



**Note:** Components marked with asterisk are NOT installed.





# **DAP Signal Conditioning Board Assembly and Board Schematics**

---

---

---

---

This chapter contains the board assembly and board schematics.

<b>Topic</b>	<b>Page</b>
<b>6.1 DAP Signal Conditioning Board Assembly .....</b>	<b>6-2</b>
<b>6.2 DAP Signal Conditioning Board Schematics .....</b>	<b>6-4</b>

## 6.1 DAP Signal Conditioning Board Assembly

Figure 6-1. Board Assembly (Top View)

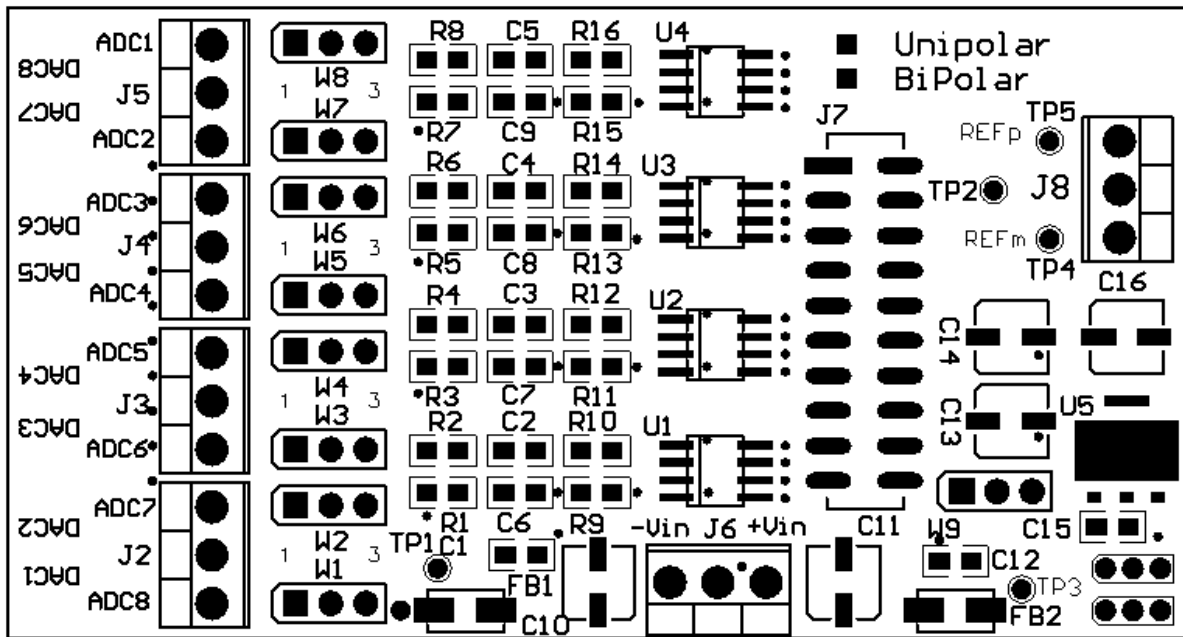


Figure 6-2. Board Assembly (Bottom View)

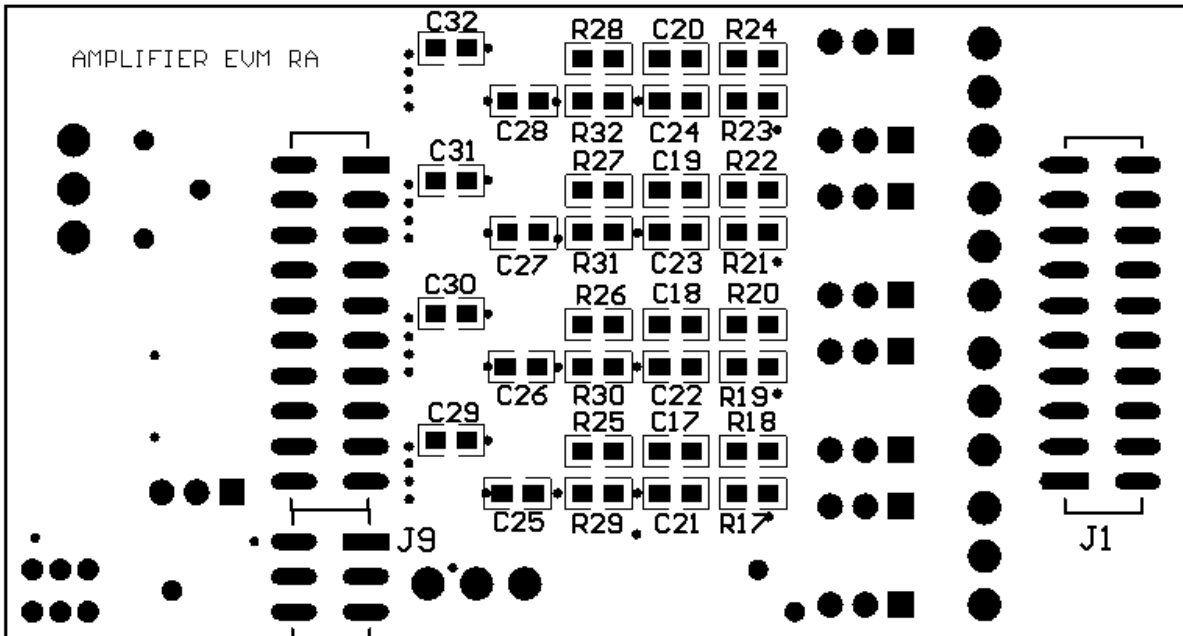
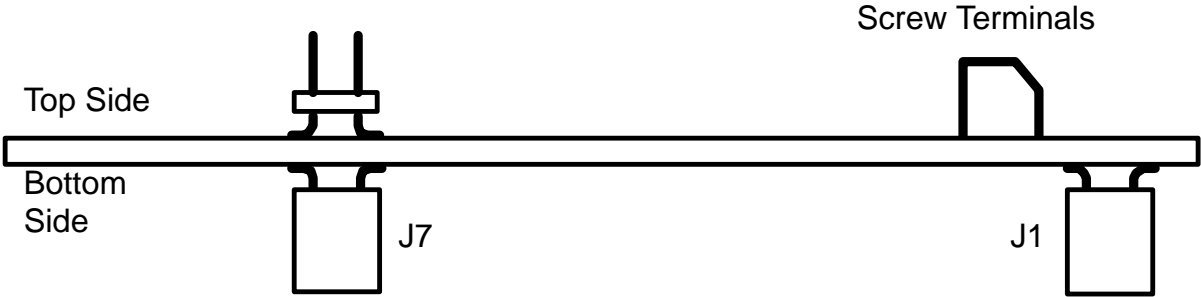


Figure 6-3. Board Assembly (Top / Side View)

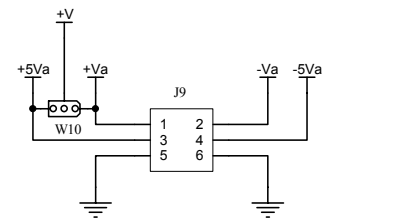
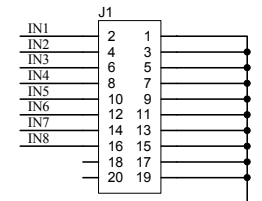
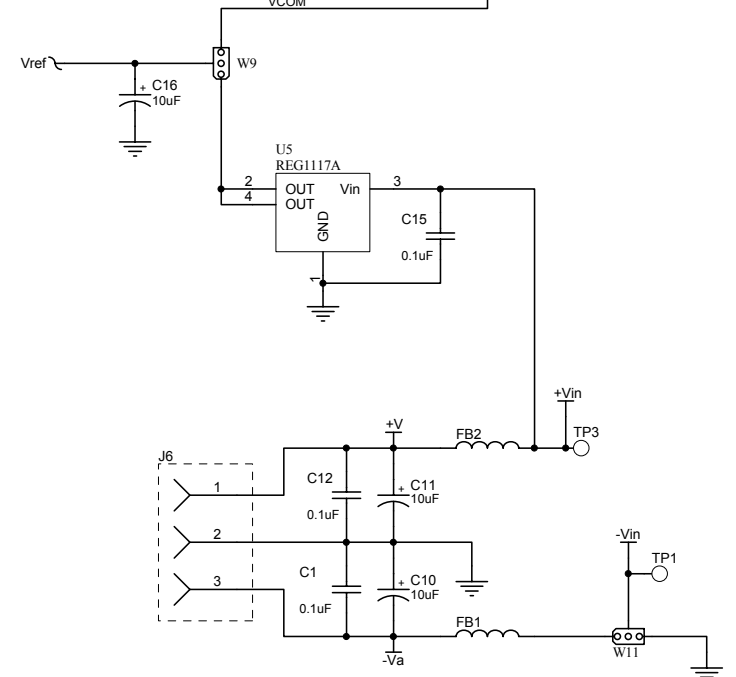
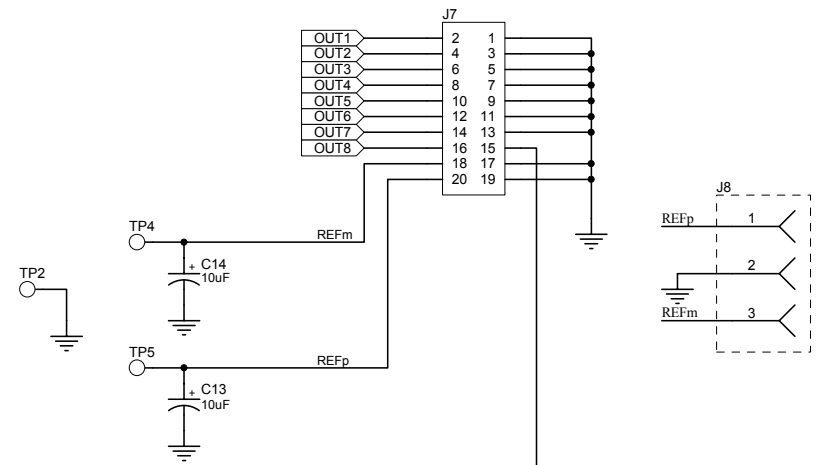
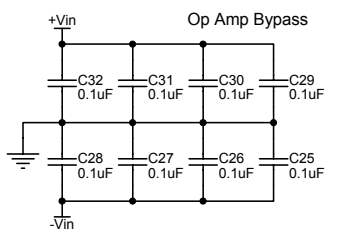
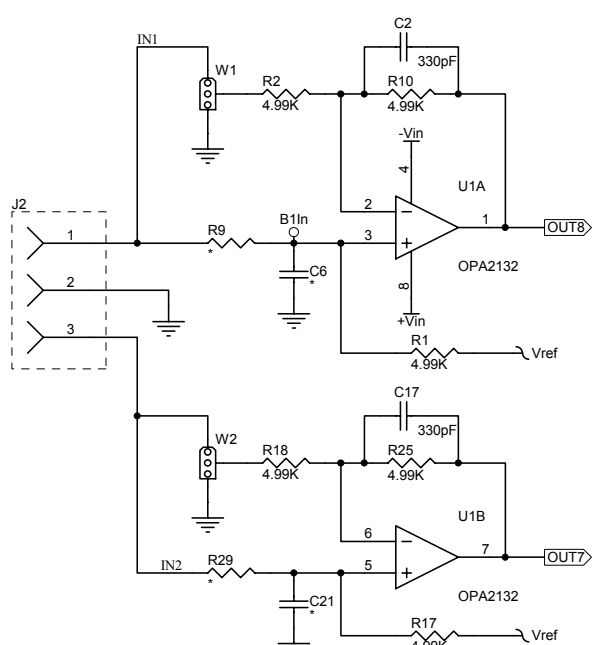
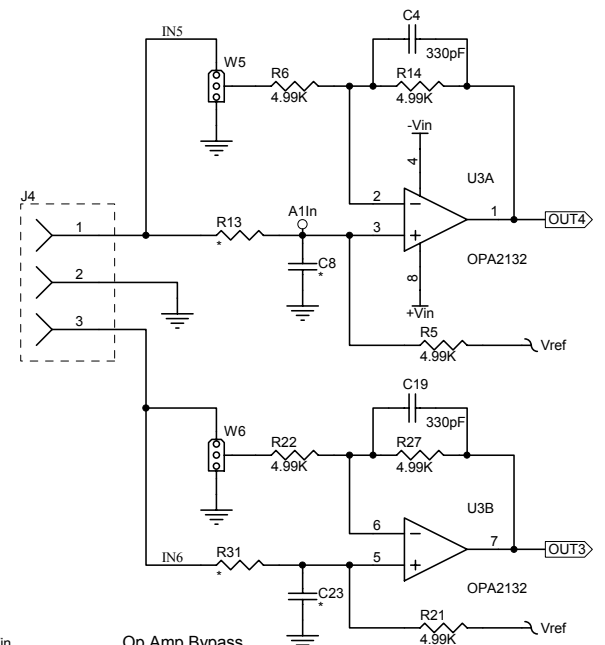
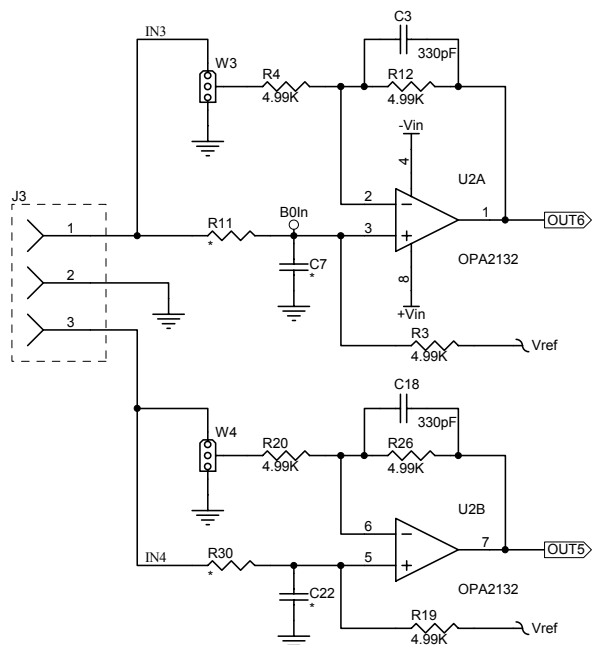
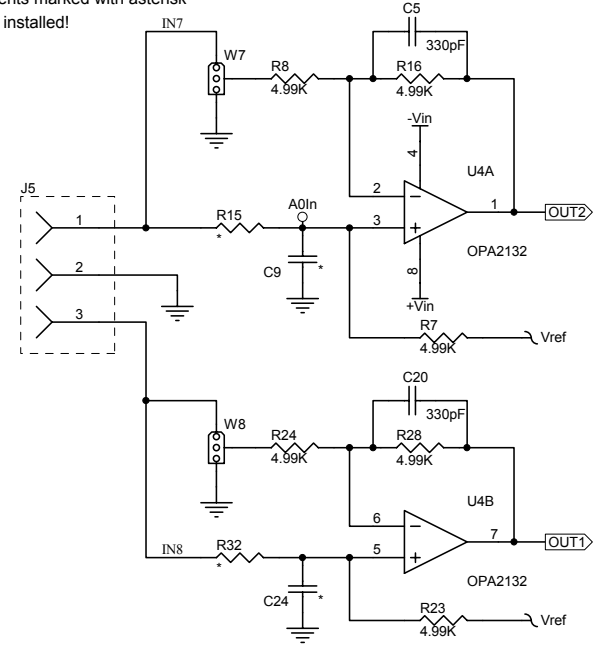


## **6.2 DAP Signal Conditioning Board Schematic**

*Figure 6-4. Board Schematic*

Revision History		
REV	ECN Number	Approved

Note:  
Components marked with asterisk are NOT installed!



Engineer: Various	SIZE:	DATE: 7-Apr-2003	REV: A
Drawn By: T. Hendrick	FILE: 6447453.dtb	SHEET: 1	OF: 1

**TEXAS INSTRUMENTS**  
12500 TI Boulevard, Dallas, Texas 75243

Title: **Amplifier Board Schematic**