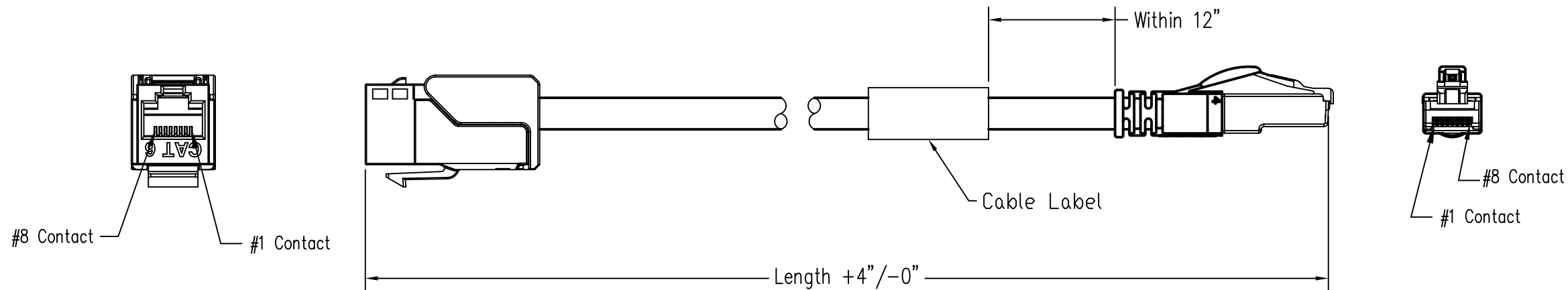


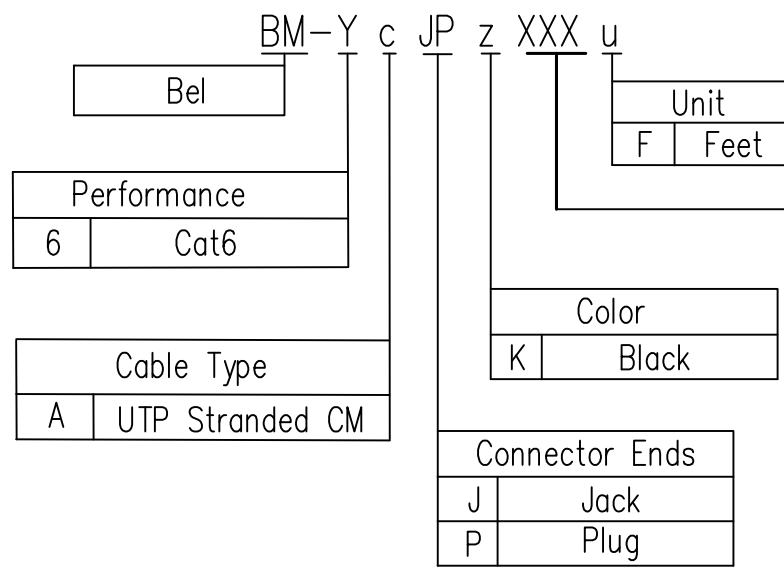
DATE	REV	ECN	APP'D. BY
11/30/20	A0	Released	GWL
-	-	-	-



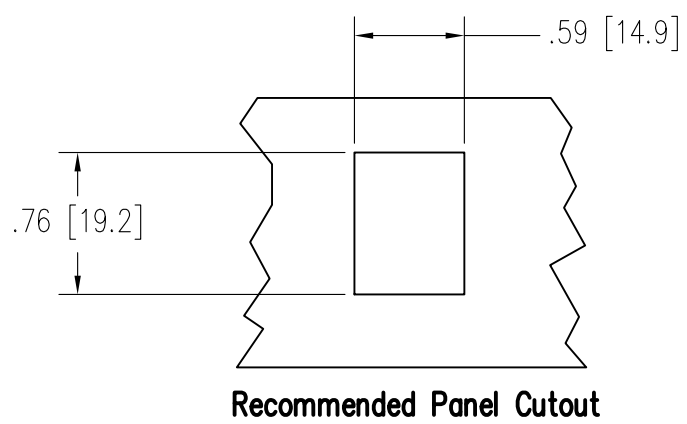
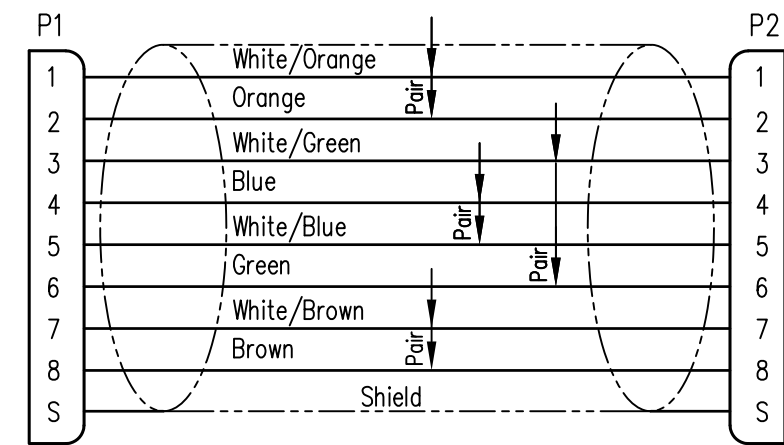
Notes:

- 1) Each cable assembly to be individually bagged.
- 2) 50μ" Gold plating on jack and plug contacts
- 3) Cable Construction:
 - 24AWG Stranded
 - Twisted pairs: Two primaries twisted together with varying lays to reduce crosstalk.
 - PVC Jacket
- 4) Slimline Snagless Strain Relief
- 5) 100% Transmission Tested for Performance

Part Number Structure



Wiring Map: 568B Standard



THIRD ANGLE PROJECTION DO NOT SCALE DRAWING DRAWING IS SUBJECT TO CHANGE WITHOUT NOTICE DIMENSIONS: INCHES [METRIC] UNLESS OTHERWISE SPECIFIED TOLERANCES ARE ±.005 [0.13] ANGLES ARE ± 1° SHEET NO. 1 OF 1	 206 Van Vorst Street Jersey City, NJ 07302 +1 201 432 0463 http://www.belfuse.com
TITLE: Bel Cable Assembly, CAT 6 Jack To Cat6 plug, UTP Stranded CM	
THIS DRAWING AND THE SUBJECT MATTER SHOWN THEREON ARE CONFIDENTIAL AND THE PROPRIETARY PROPERTY OF BEL FUSE, INC. AND SHALL NOT BE REPRODUCED, COPIED, OR USED IN ANY MANNER WITHOUT PRIOR WRITTEN CONSENT OF BEL FUSE, INC.	DRN BY: GWL DATE 11/23/20 APPD BY: AB DATE 11/30/20 DWG NO. CT999233 REV. A0

