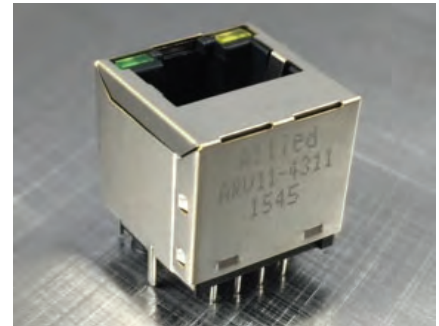




Single Port Vertical Mount RJ45

ARV11-4311

- 10/100 BaseT for LAN and other Ethernet Applications
- Compliant to IEEE802.3 Standard
- RJ45 Jack Cavity confirms to FCC rules and regulations part 68, sub part F
- Standard Operating Temp: 0°C to +70°C



Electrical Specifications @ 25°C

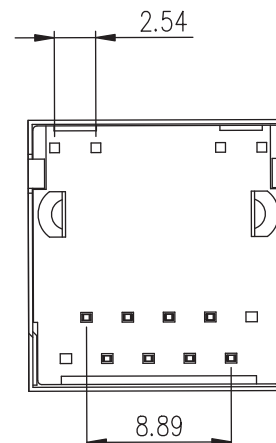
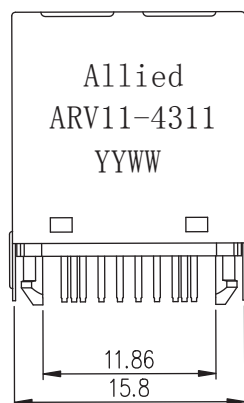
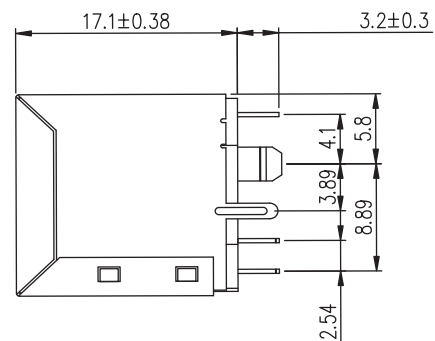
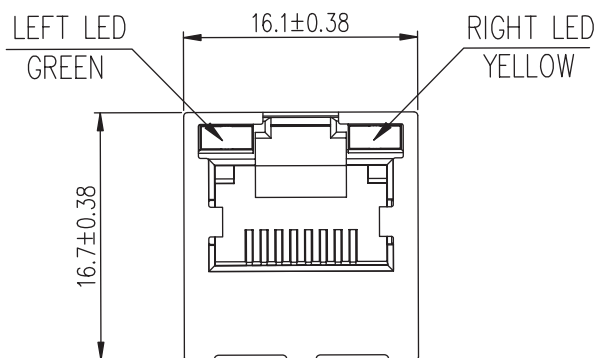
Part Number	OCL(uH Min) @ 100kHz, 0.1V	Turns Ratio chip: cable		Insertion Loss (dB Max)	Return Loss (dB Min)		
	With 8mA DC Bias	P1-P3: J1-J2	P4-P6: J3-J6	1-100MHz	1-30MHz	30-60MHz	60-80MHz
ARV11-4311	350	1:1±5%	1:1±5%	-1.0	-18	-16	-12

Electrical Specifications @ 25°C

Cross Talk (dB Min)	CMR (dB Min)	HI-POT (Vrms)
1-100MHz	1-100MHz	1.0mA/60Sec.
-30	-30	1500

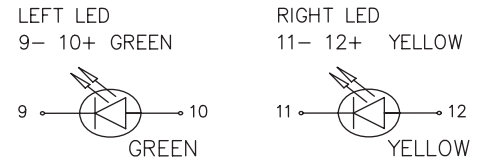
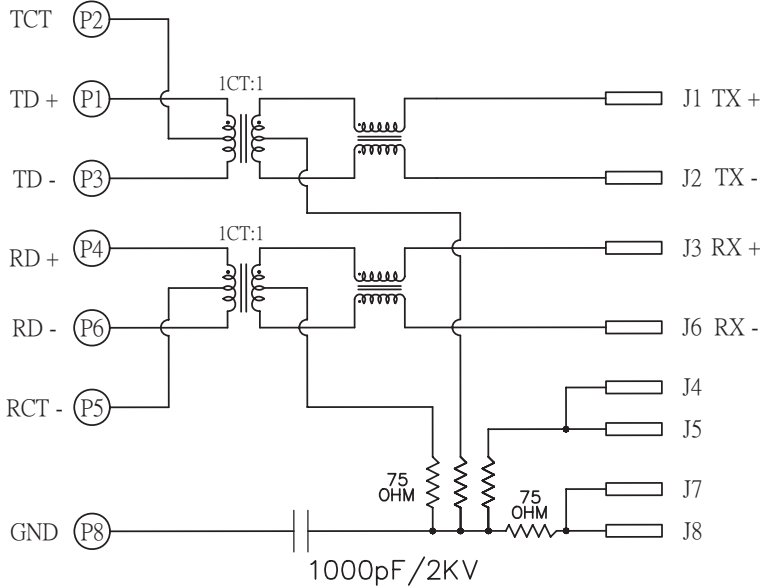
All specifications subject to change without notice.

MECHANICAL





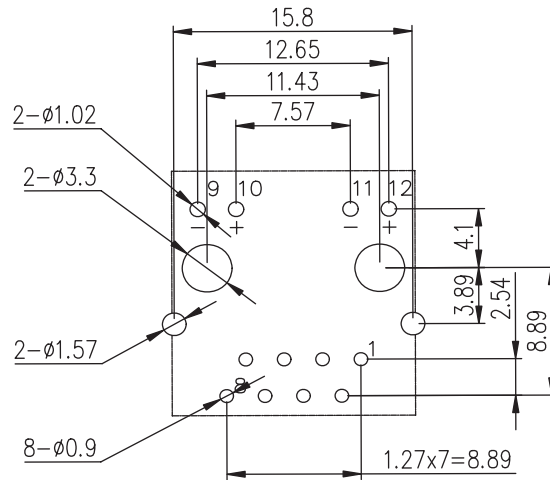
SCHEMATICS



STANDARD LED	WAVELENGTH	FORWARD VOLTAGE
GREEN	565nm	2.5V MAX
YELLOW	585nm	2.5V MAX

With a forward current of 20mA

PCB LAYOUT



NOTES

- 1. Shielded- 0.20mm THICKNESS BRASS.
PLATING NICKEL 20u"MIN.
- 2. Housing- PA66 30%GF, UL 94 V-0, BLACK.
- 3. Contact Pin- Plastic: PBT, UL 94 V-0, BLACK.
Pin: 0.35mm Thickness Phos-Bronze.
Plating: Nickel 30u"~60u" for all Sn 100%,
and Gold Plating 6u".
- 4. Insert Pin- Plastic: PBT, UL 94 V-0, BLACK.
Pin: 0.35mm Thickness SUS430,
Plating: Nickel 30u"~60u" for all and Sn 100%.