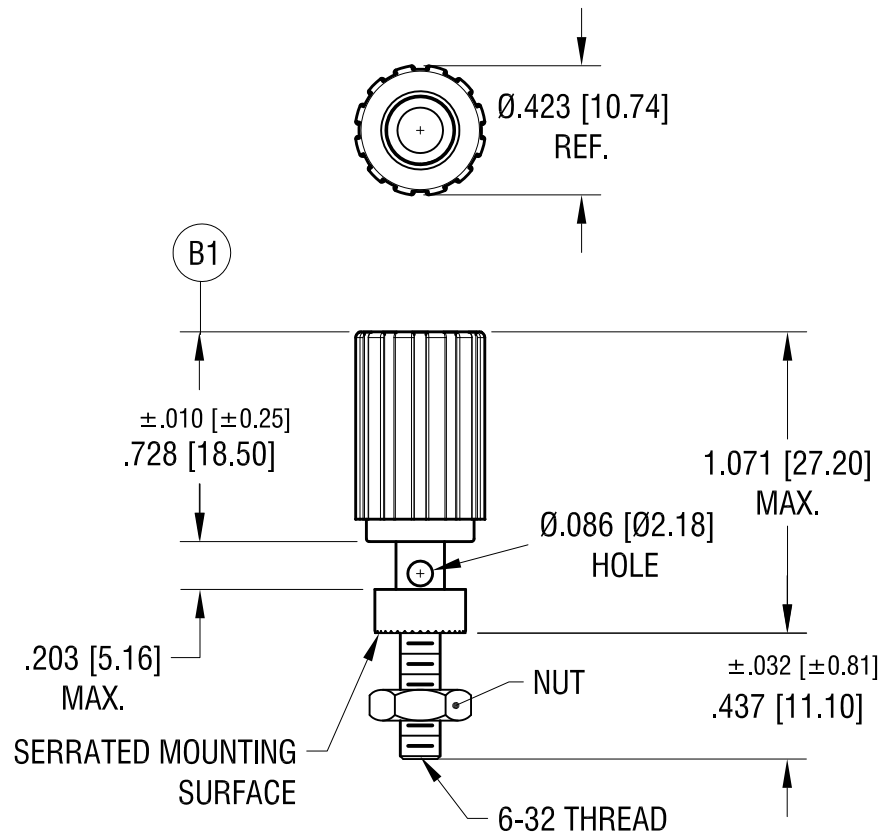
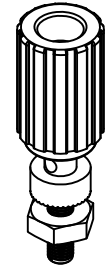


THIS DOCUMENT IS THE PROPERTY OF KEYSTONE ELECTRONICS CORP. AND SHALL NOT BE REPRODUCED, DISTRIBUTED OR USED AS A BASIS FOR MANUFACTURE WITHOUT PRIOR WRITTEN PERMISSION FROM KEYSTONE ELECTRONICS CORP.

ACTUAL SIZE



NOTES:

1. MAT'L:
2. STUD: BRASS, NICKEL PLATE
3. INSULATION: NYLON
4. NUT: STEEL, NICKEL PLATE

PART NO.	COLOR
7006	RED
7007	BLACK

3.04.21	ECN 21-025, B1 WAS .719	B
11.9.94	REVISED	A
DATE	DESCRIPTION	REV.

KEYSTONE ELECTRONICS CORP.			
www.keyelco.com • NEW HYDE PARK, NY 11040 • Tel (516) 328-7500			
PART NAME		UNINSULATED BINDING POST	
MATERIAL		AS NOTED	
FINISH	AS NOTED	DRN BY	BOONE
		APP'D	RH
		DATE	1.04.82
		SCALE	1.5X
TOLERANCES	INCH [MM]	CODE	DWG NO.
DECIMAL	$\pm .005$ [± 0.13]	C	7006 - 7007
ANGULAR	$\pm 1^\circ$		
UNLESS OTHERWISE SPECIFIED			