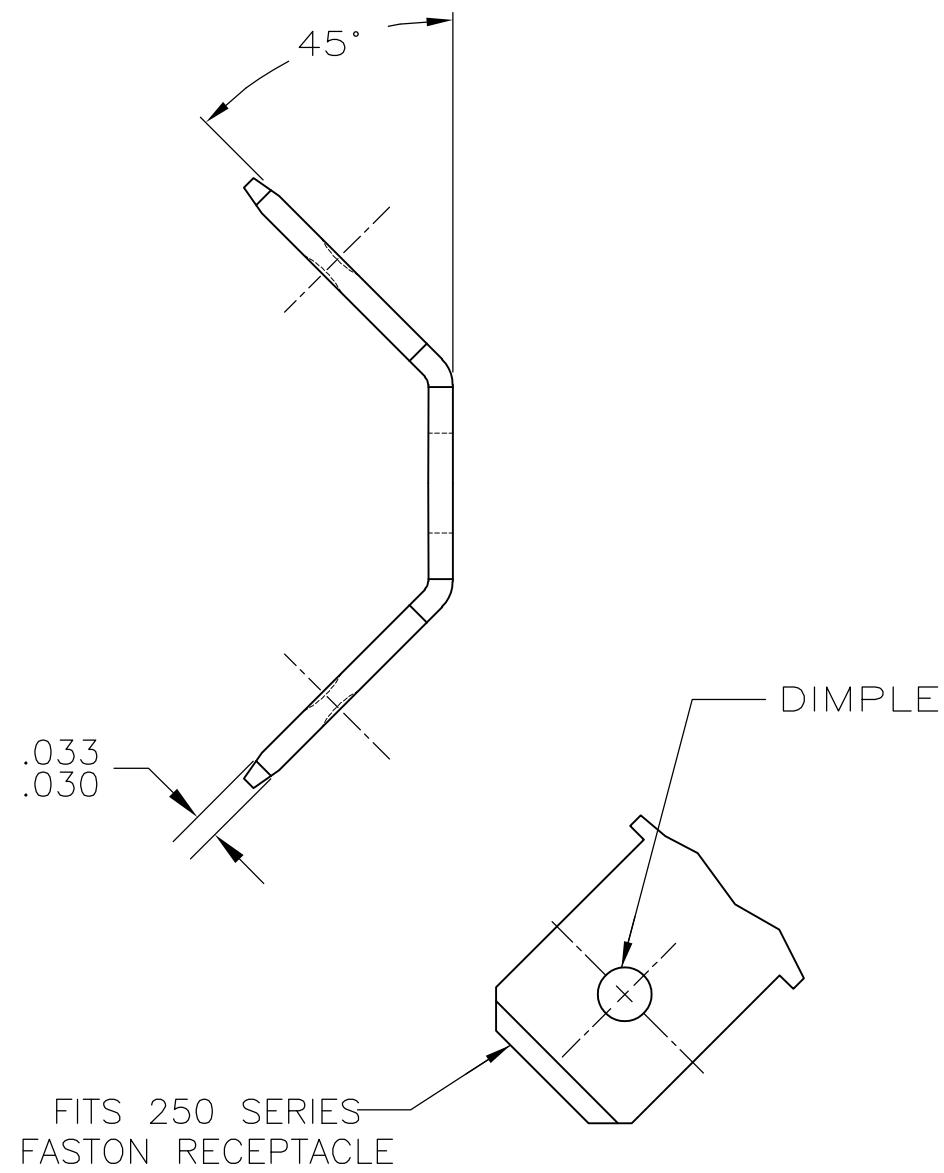
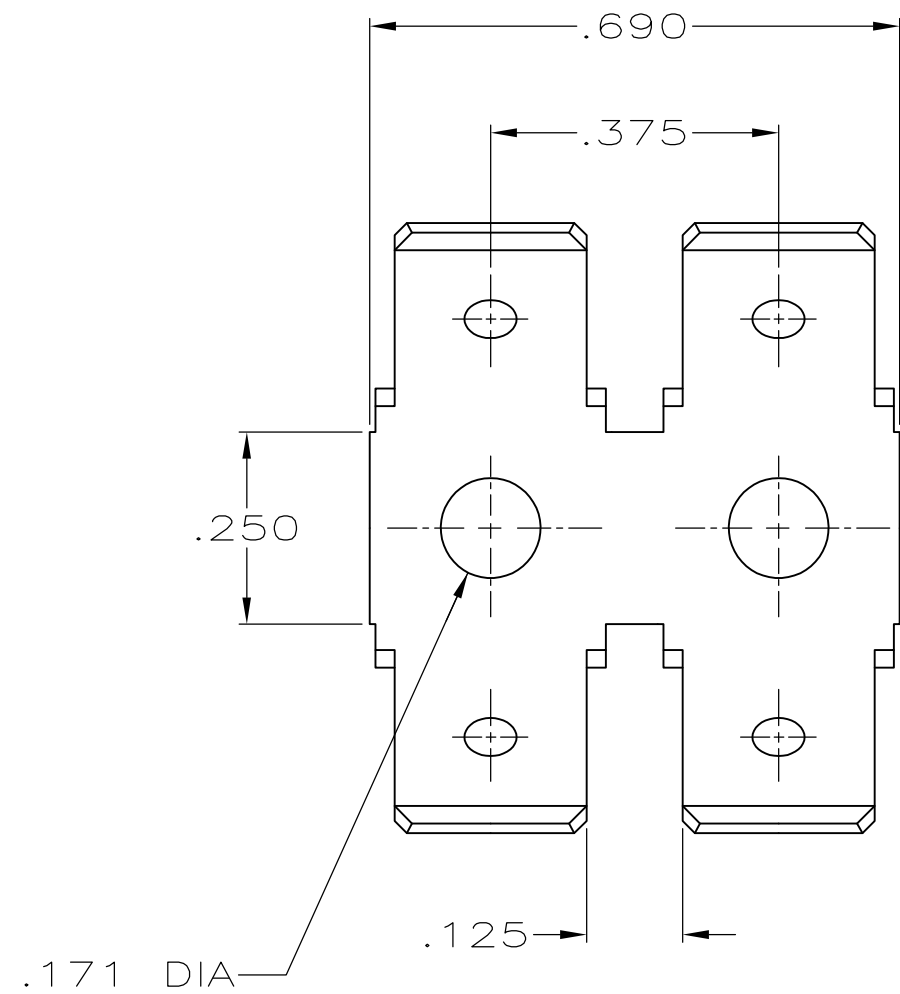


THIS DRAWING IS UNPUBLISHED. RELEASED FOR PUBLICATION
 © COPYRIGHT - By - ALL RIGHTS RESERVED.

LOC	DIST	REVISIONS			
P	LTR	DESCRIPTION	DATE	DWN	APVD
AF	50	Y	REVISED PER ECR-13-011489	07DEC2013	KH PD

1 PARTS SUPPLIED IN PAIRS OF 2.



41617
PART NO

THIS DRAWING IS A CONTROLLED DOCUMENT.		DWN	JR RUTH	4/28/89	TE Connectivity NAME TAB, FASTON™.250 SERIES
DIMENSIONS: INCHES		CHK	MS FEHER	5/1/89	
		APVD	C MEYERS	5/1/89	
TOLERANCES UNLESS OTHERWISE SPECIFIED:		PRODUCT SPEC		APPLICATION SPEC	RESTRICTED TO
0 PLC ± - 1 PLC ± - 2 PLC ± - 3 PLC ± .010 4 PLC ± - ANGLES ± -		WEIGHT		-	-
MATERIAL: BRASS		FINISH		-	SIZE: A3
		CUSTOMER DRAWING		SCALE: 4:1	CAGE CODE: 00779
				SHEET: 1 OF 1	DRAWING NO: C-41617
				REV: Y	