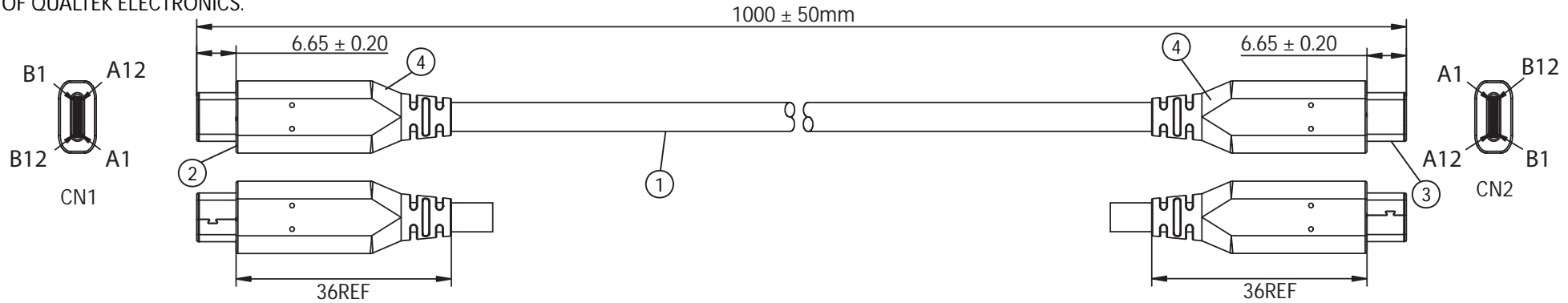
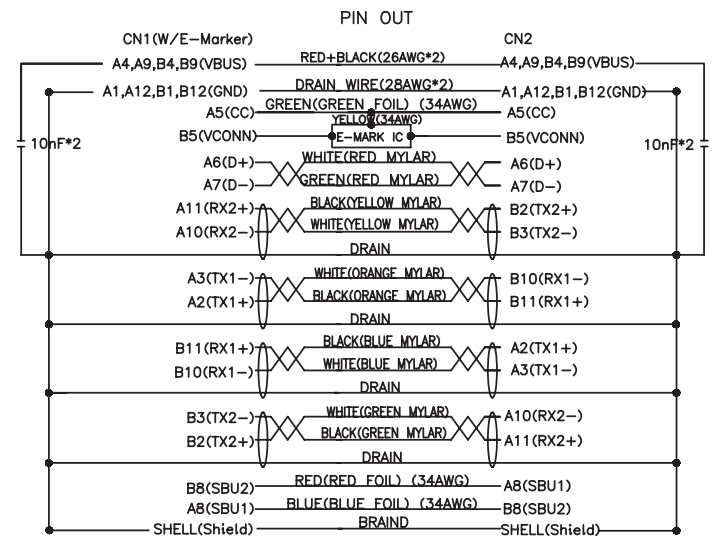
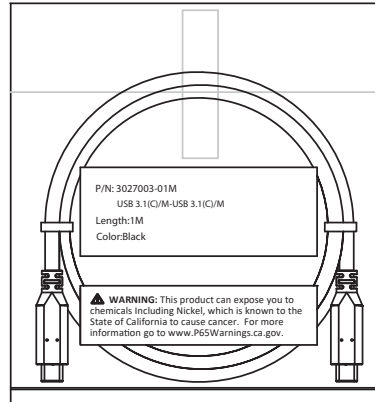


THESE DRAWINGS ARE THE PROPERTY OF QUALTEK ELECTRONICS AND NOT TO BE REPRODUCED FOR OR COMMUNICATED TO A THIRD PARTY WITHOUT THE EXPRESS WRITTEN PERMISSION OF AN OFFICER OF QUALTEK ELECTRONICS.

| REVISION | | | |
|----------|------------------------|----------|----------|
| REV. | DESCRIPTION | DATE | APPROVED |
| B | Updated Specifications | 08-14-18 | LY |
| | | | |



P/N: 3027003-01M
 USB 3.1(C)/M-USB 3.1(C)/M
 Length:1M
 Color:Black



CONTROLLED

NOTES:

- CABLE: UL2725**
 (30AWG*1PR+EAM)*4+(31AWG*2k+AM)+26AWGx2C+34AWGx1C+(34AWG*1C+A)*3+ 2EAB 85%
 PVC OUTER JACKET: BLACK, OD: 5.2 ± 0.2mm
- CONNECTOR: USB 3.1 GEN 2 TYPE C MALE**
 INSULATOR: BLACK PBT
 PIN GOLD PLATED
 NICKEL PLATED SHELL
- CONNECTOR: USB 3.1 GEN 2 TYPE C MALE**
 INSULATOR: BLACK PBT
 PIN GOLD PLATED
 NICKEL PLATED SHELL
 PCB WITH IC E-MARKED
- PVC MOLDED: COLOR V398 45P BLACK**
- ELECTRICAL TEST:**
 <1>.100% OPEN SHORT & MISS WIRE TEST
 <2>. HIPOT: 50V AC/0.01SEC 50V DC/0.01SEC
 <3>. INSULATION RESISTANCE: 10M OHM (MIN)
 <4>. CONDUCTIVE RESISTANCE: 2 OHM (MAX)
 <5>.CAPACITANCE DETECTION: 20nF ± 20% BETWEEN A1 AND A4
- DATA TRANSFER RATE UP TO 10Gbps (NOMINAL)**
- CURRENT RATING UP TO 5A (NOMINAL)**
- VOLTAGE RATING UP TO 20V (NOMINAL)**
- PACKING: 1PC/POLYBAG W/ LABEL**

| Dim range (mm) | Tolerance +/- (mm) | Qualtek Electronics Corp. WCI DIVISION | | |
|----------------|--------------------|---|----------------|-----------------|
| 0-1 | 0.15 | Part Number: 3027003-01M RoHS Compliant | | |
| 1-6 | 0.20 | Description: USB 3.1(C)/M - USB 3.1 (C)/M | | |
| 6-18 | 0.30 | UNIT: mm | REV. B | |
| 18-50 | 0.50 | Drawn / Date | Checked / Date | Approved / Date |
| 50-120 | 0.70 | R. Nuti | 01-11-17 | LY / 01-11-17 |
| 120-250 | 0.90 | | | |
| 250-500 | 1.20 | | | |