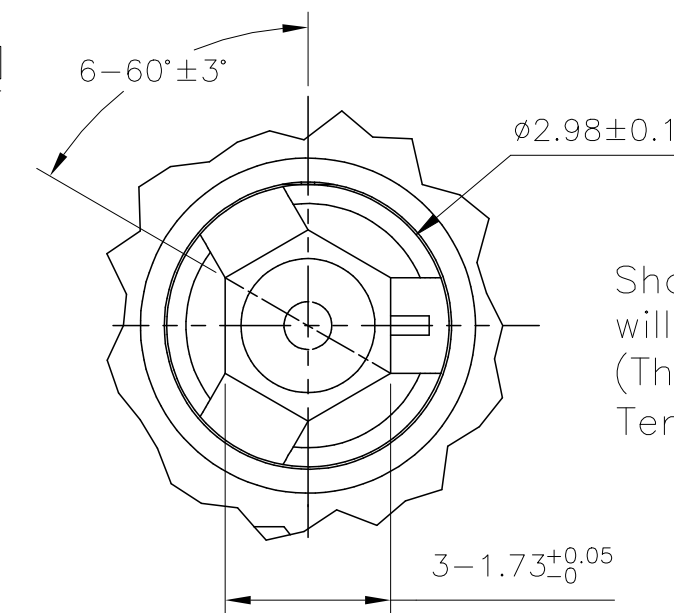
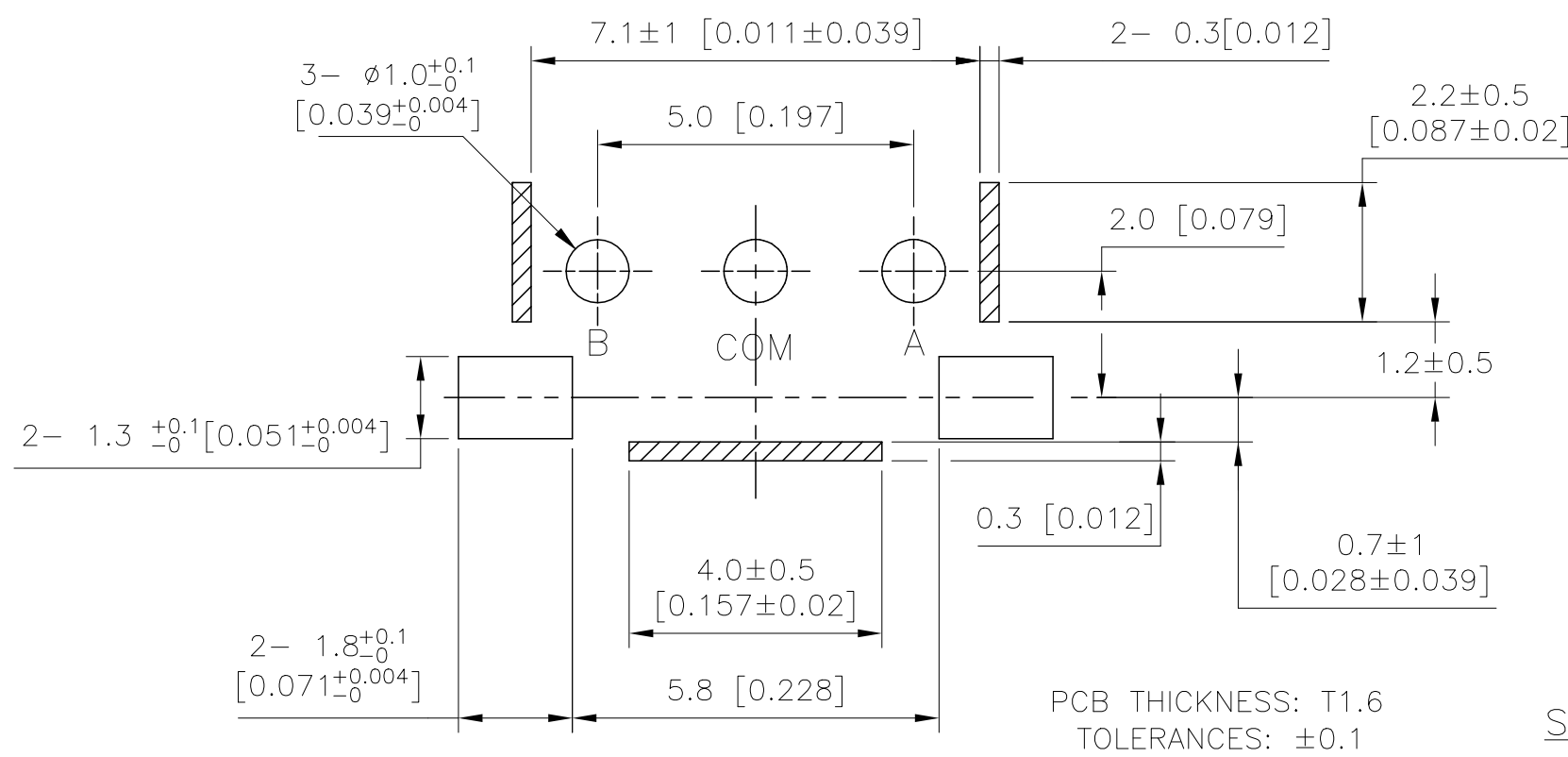
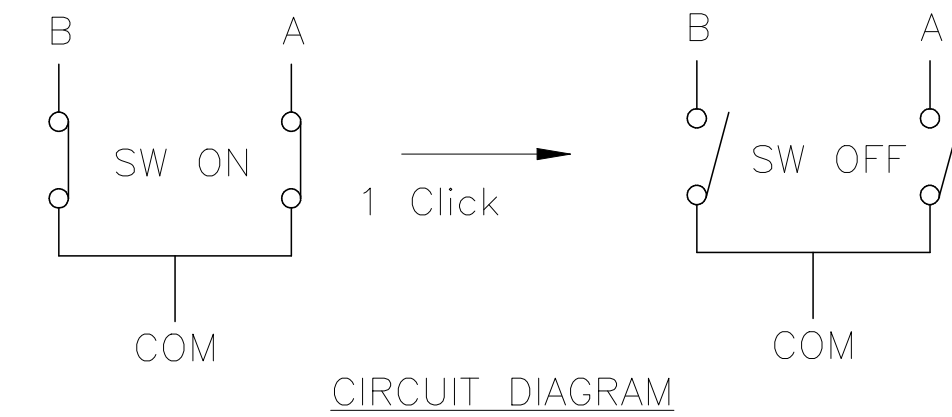
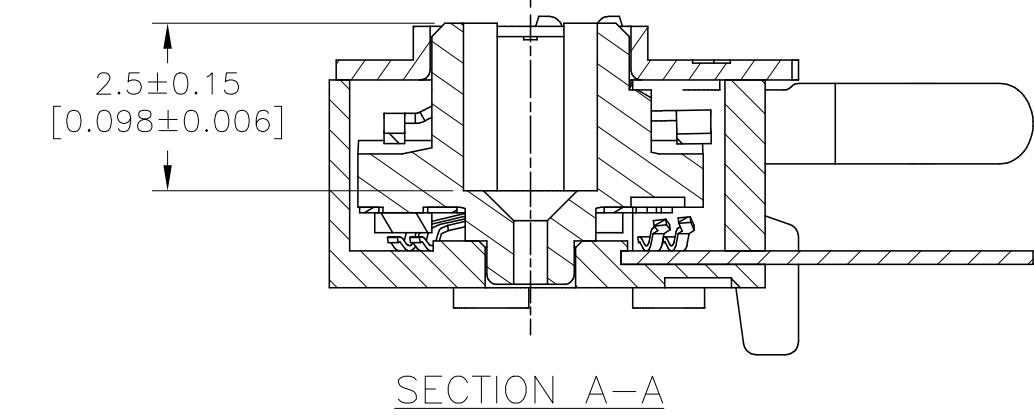
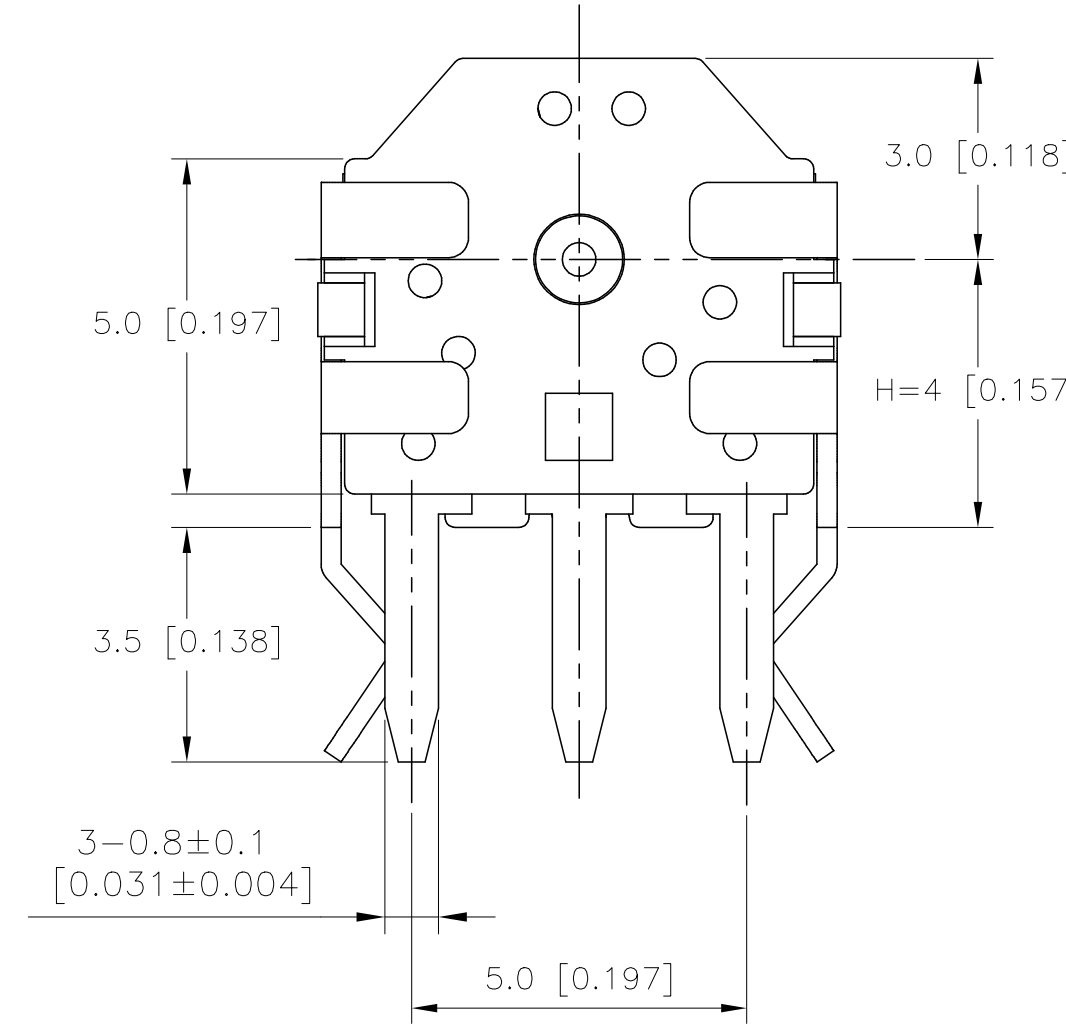
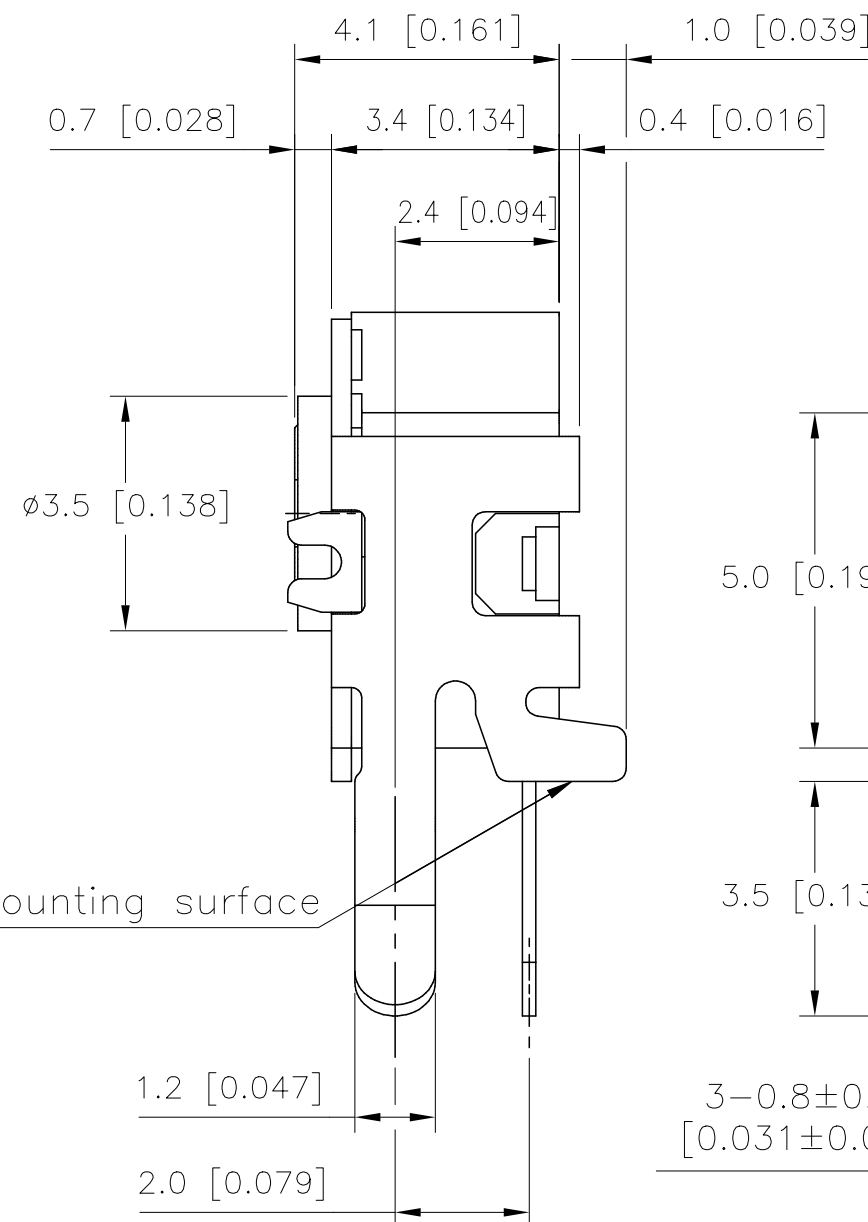
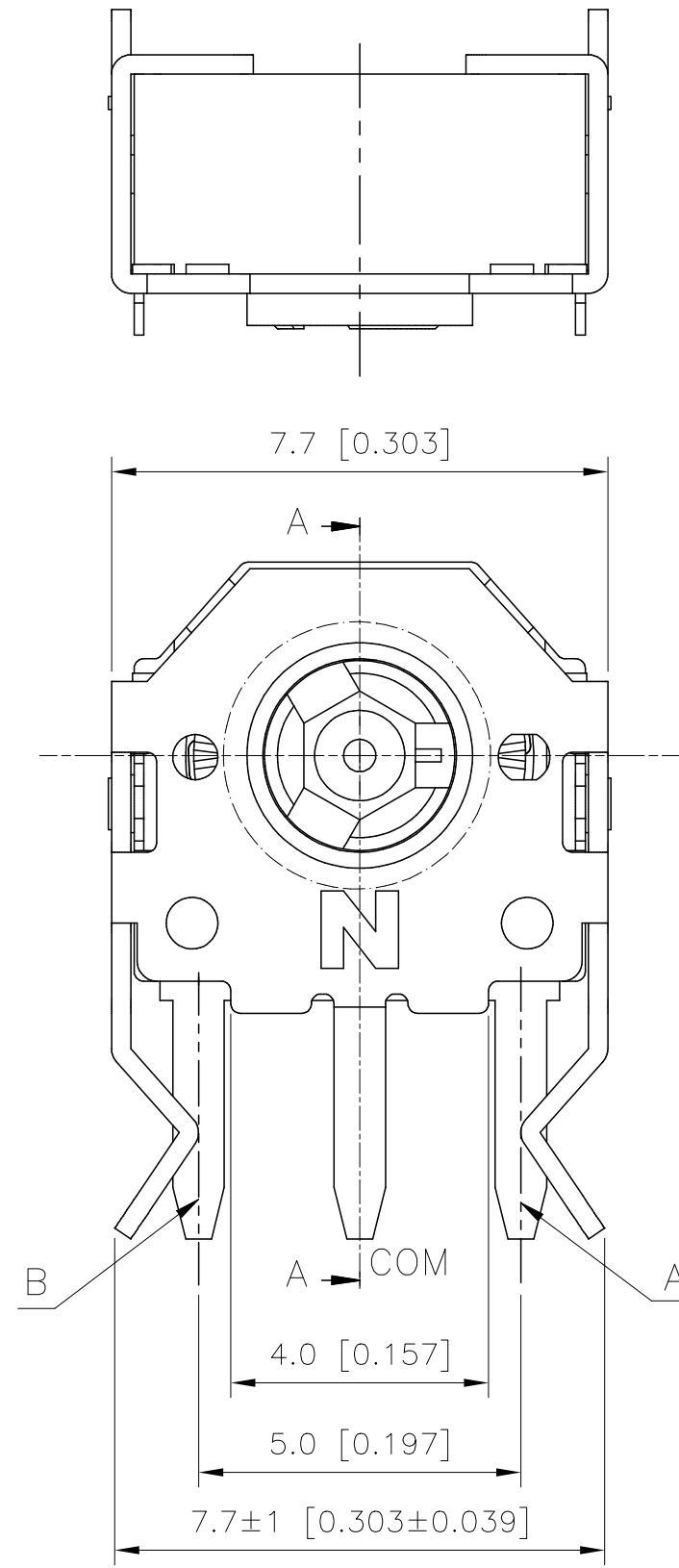


REVISIONS				
P	LTR	DESCRIPTION	DATE	DWN / APVD
	A1	ECR-22-158149	05DEC2022	GSK / DMM

Drawing number	TE PN	TE descriptive PN	IP	Operating Force
2416191	2416191-1	Miniature Encoder 51gf	40	51 ±30 gf
	2416191-2	Miniature Encoder 30gf		30 ±10 gf



Shaft hole position will be random (This position A-B Terminal On position)

SPECIFICATIONS:
 CONTACT RATING: 1mA @ 10VDC
 CONTACT RESISTANCE: 10Ω max.
 BOUNCING: 15ms max.
 INSULATION RESISTANCE: 50MΩ min.
 OPERATING LIFE: 100,000 Cycle

MECHANICAL
 TOTAL ROTATIONAL ANGLE: 360° (Endless)
 CLICK ANGLE: 15°±3°
 OPERATION FORCE: SEE TABLE
 OPERATING LIFE: 100,000 Cycles
 SOLDERABILITY: solder bath temperature 230±5°C, Dipping time 3±0.5sec.

ENVIRONMENTAL
 OPERATING TEMPERATURE: -40°C-85°C
 STORAGE TEMPERATURE: -40°C-85°C
 STORAGE HUMIDITY: 85% Max.

NOTES:
 GENERAL TOLERANCE ±0.5mm [0.019in]

PCB HOLE & SOLDER LAND DIMENSIONS

SHAFT HOLE SHAPE & DIMENSION

THIS DRAWING IS A CONTROLLED DOCUMENT.		DWN 14JUN2022 SATHISH KUMAR_G	TE Connectivity	
DIMENSIONS: mm [INCHES]		CHK 14JUN2022 DAVID MALDONADO		
TOLERANCES UNLESS OTHERWISE SPECIFIED:		APVD 14JUN2022 DAVID MALDONADO	NAME MINIATURE ENCODER	
0 PLC ± -	1 PLC ± -	PRODUCT SPEC	SIZE CAGE CODE DRAWING NO	
2 PLC ± 0.20	3 PLC ± -	APPLICATION SPEC	RESTRICTED TO	
4 PLC ± -	ANGLES ± -	WEIGHT	A2 00779	C=2416191
MATERIAL -	FINISH -	CUSTOMER DRAWING	SCALE NTS	SHEET 1 of 1
				REV A1