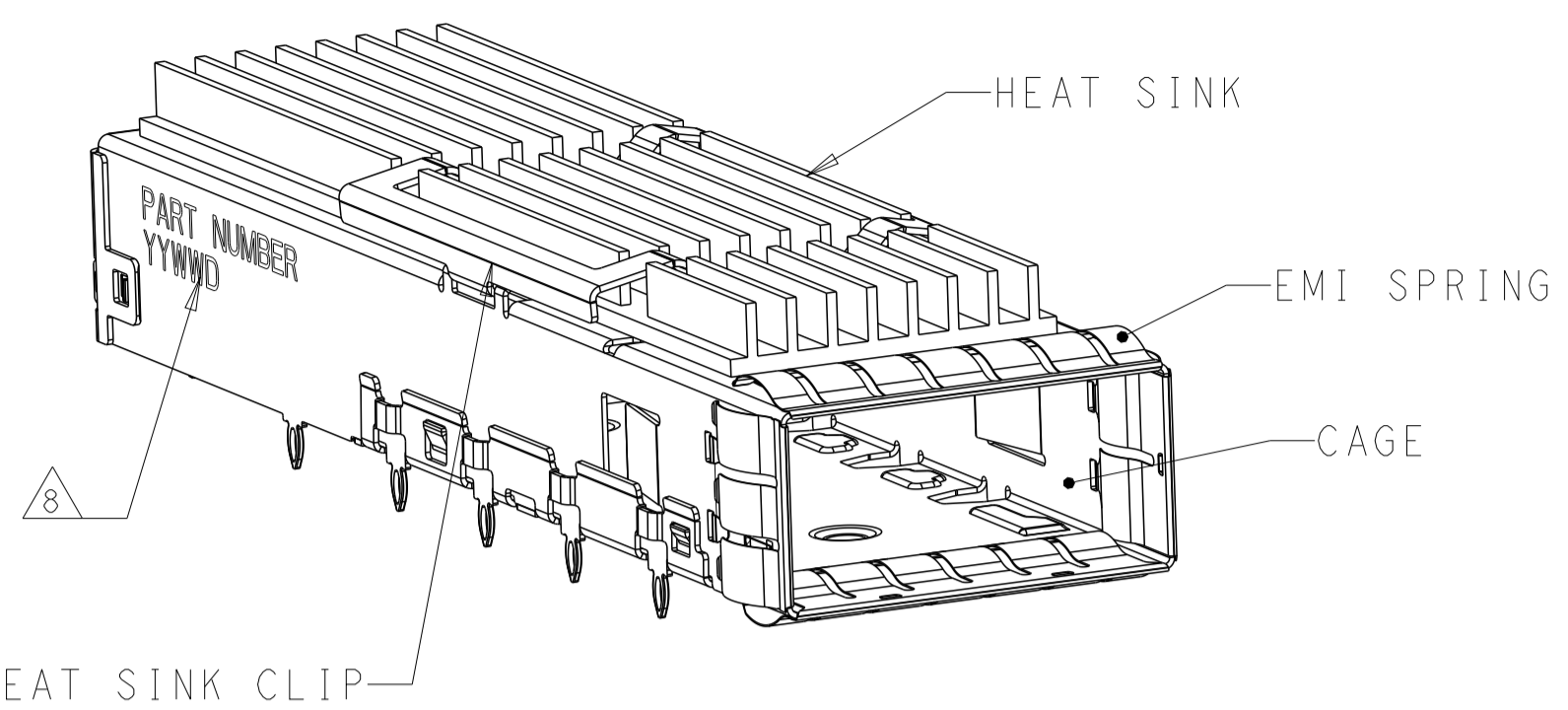
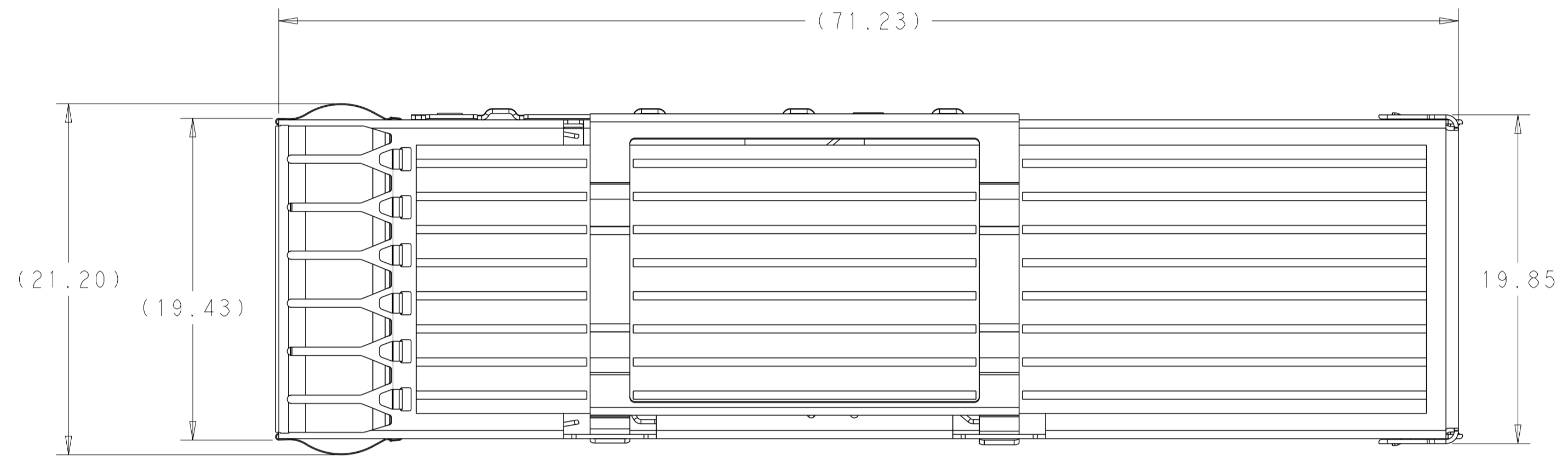


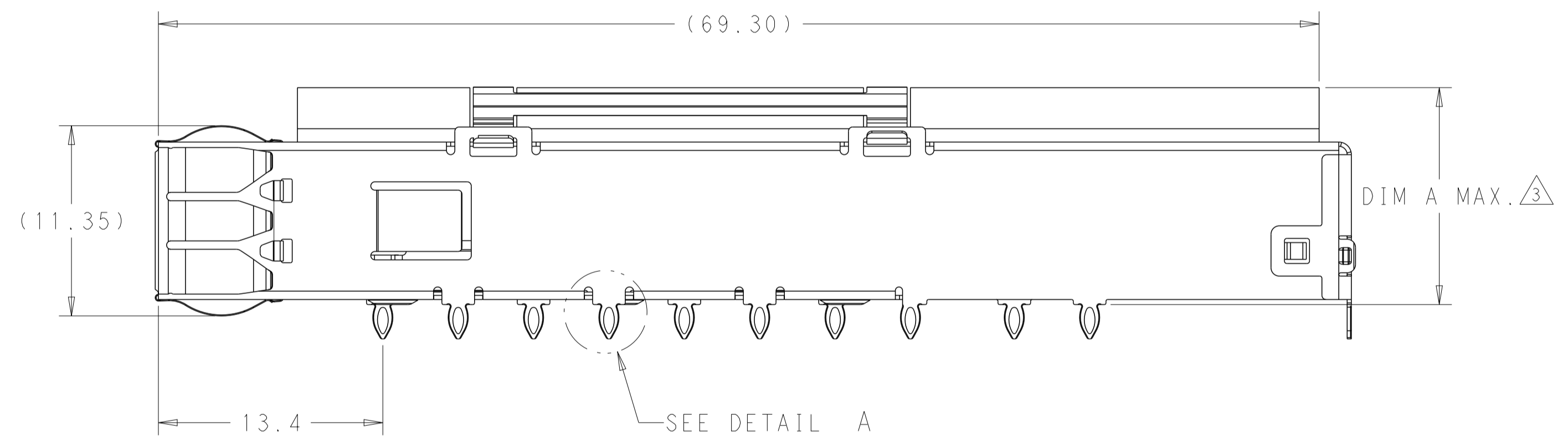
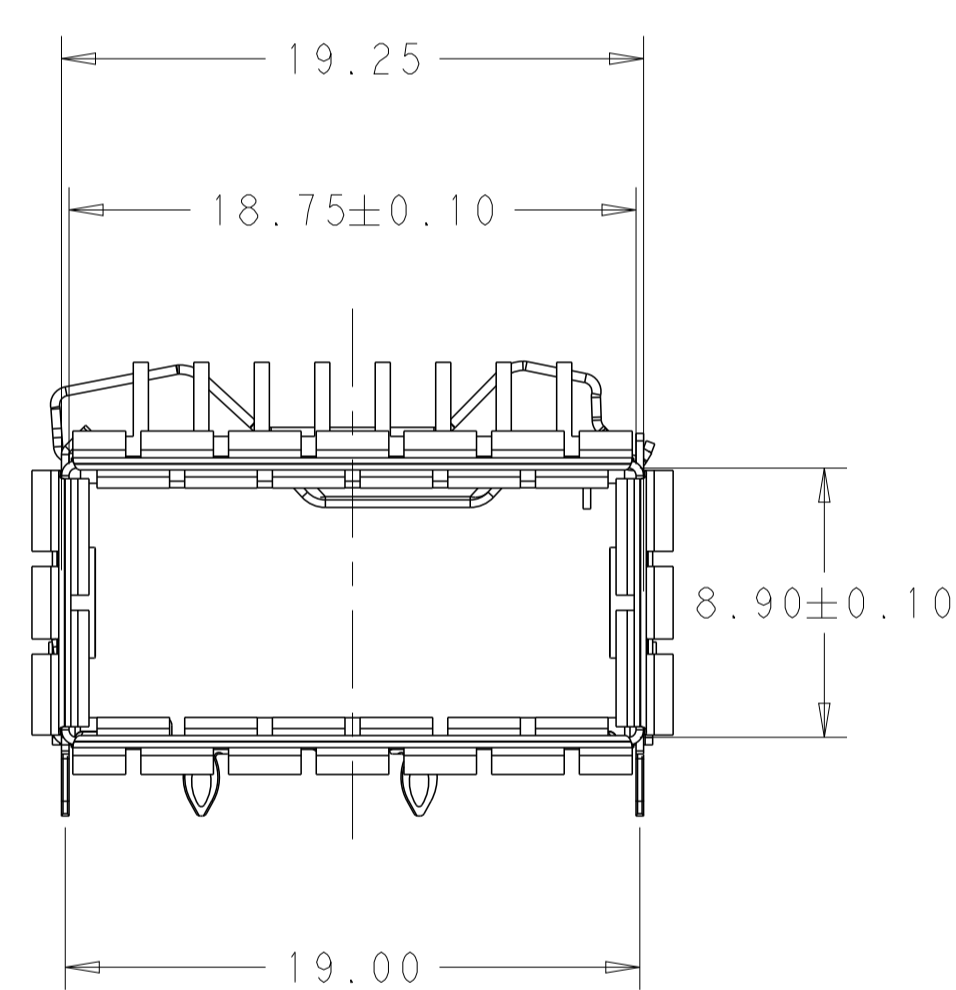
LOC		DIST		REVISIONS			
P	LTN	DESCRIPTION	DATE	DMN	APVD		
A		INITIAL RELEASE	13JUN2019	AJ	SH		
B		ADDED DASH 1-1/1-2/1-3/UPDATED 5-1 /4-1	08DEC2021	SH	SZ		
B1		ADD DASH 6-1/7-1/7-2	21JUL2022	JY	SZ		



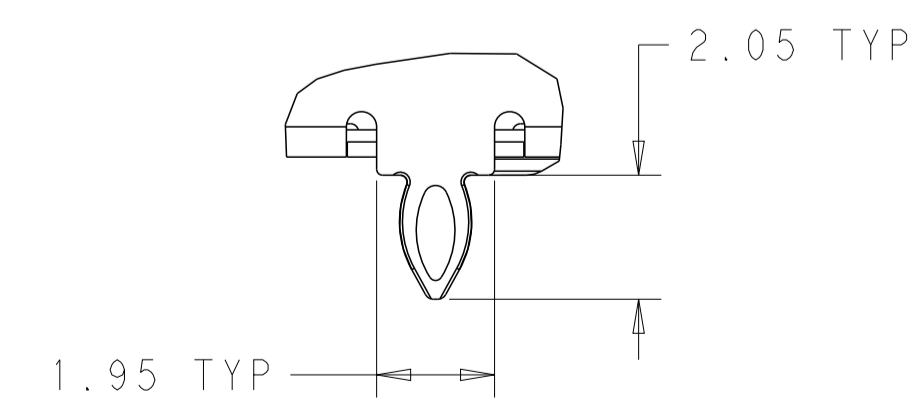
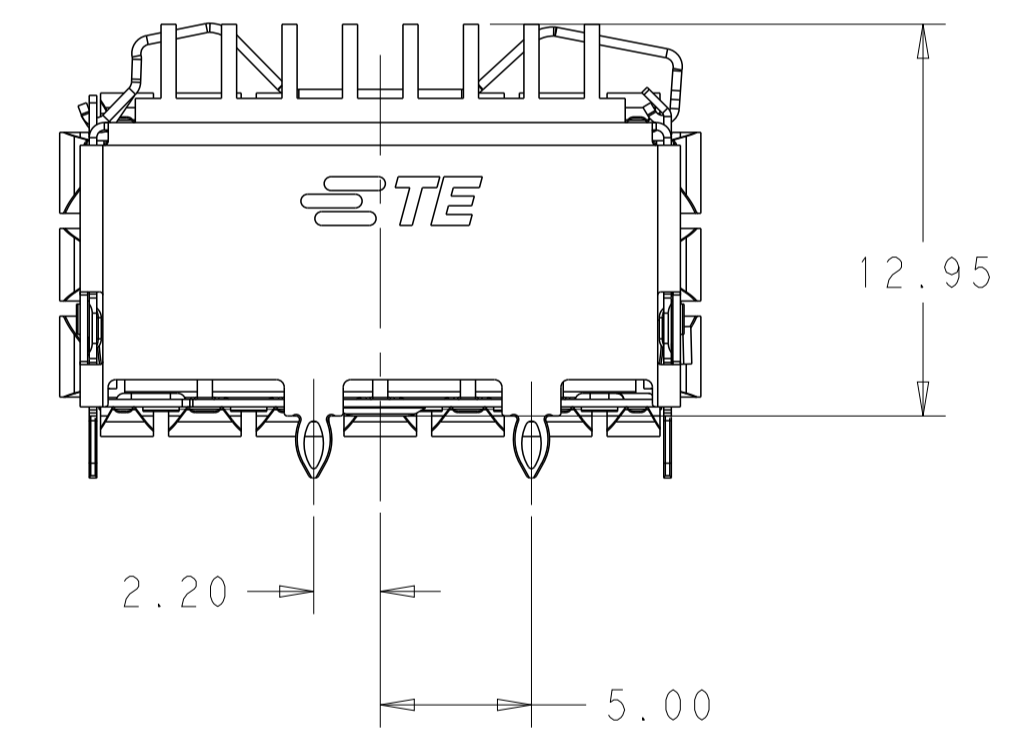
2342933-1 AS SHOWN
SCALE 3:1



- MATERIAL:
CAGE MATERIAL : 0.25 THICK STAINLESS STEEL.
SPRING MATERIAL: COPPER ALLOY
CLIP MATERIAL: STAINLESS STEEL
HEAT SINK: ALUMINUM
- FINISH:
SPRING: NICKEL PLATING
HEAT SINK: BLACK ANODIZATION
- DIMENSION APPLIES WITH MODULE INSTALLED IN THE CAGE TO TOP OF HEAT SINK.
- REFERENCE APPLICATION SPEC 114-60025 FOR RECOMMENDED DRILL HOLE DIAMETER AND PLATING THICKNESS.
- DATUM AND BASIC DIMENSIONS ESTABLISHED BY CUSTOMERS.
- MINIMUM PC BOARD THICKNESS : SINGLES SIDED: 1.57 MIN
DOUBLE SIDED: 3.00 MIN
- DATUM **-A-** IS TOP SURFACE OF THE HOST BOARD.
- DATE CODE (YYWW) MARKED APPROXIMATELY AS SHOWN
- MATES WITH QSFP DD MSA COMPATIBLE TRANSCEIVER.



2342933-1 AS SHOWN
SCALE 4:1



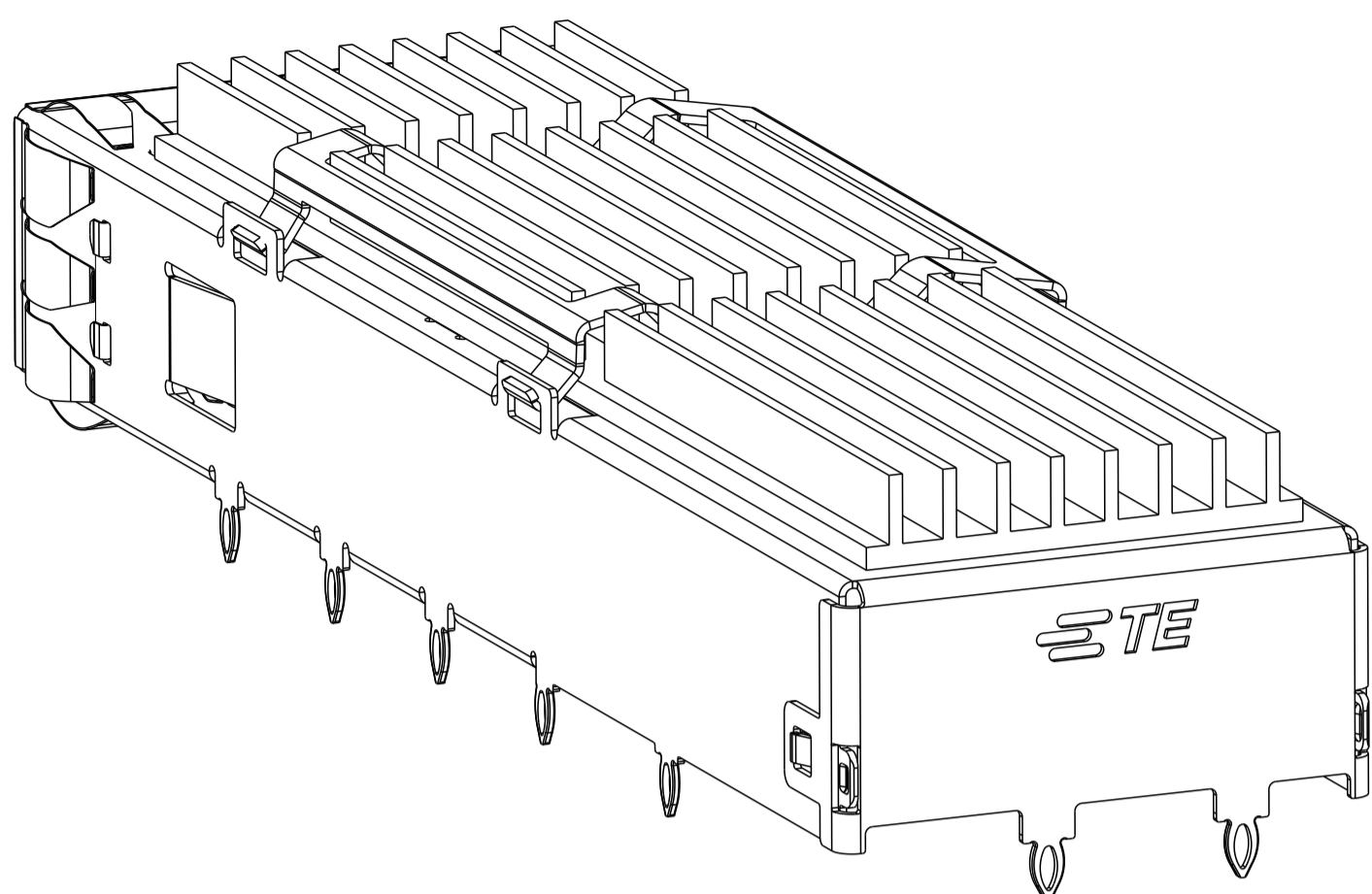
DETAIL A
SCALE 8:1

ONLY FOR 112G

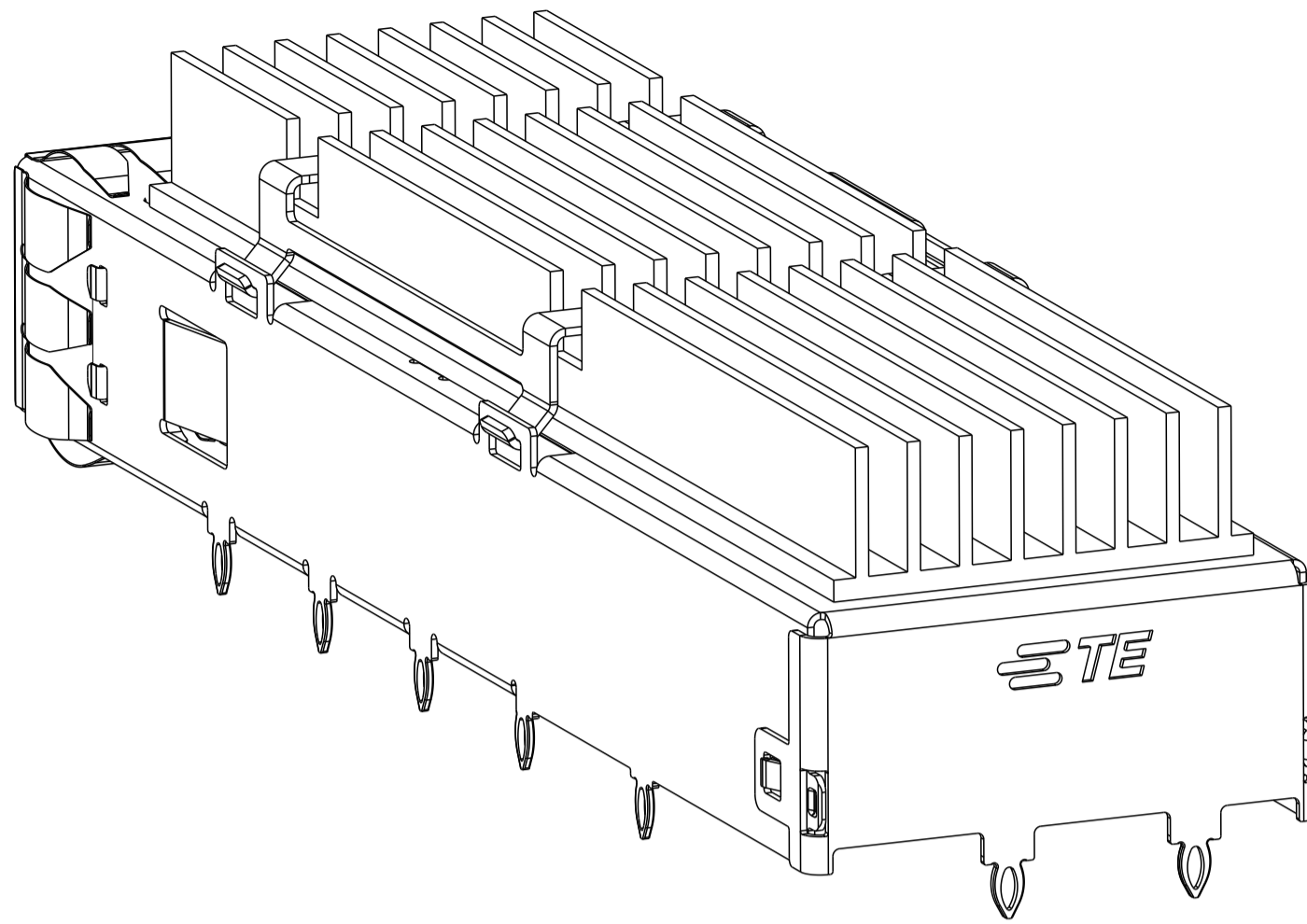
SEE SHEET 3	1	CUSTOMIZED	7-2342933-2
SEE SHEET 3	1	CUSTOMIZED	7-2342933-1
13.70	1	PCI	6-2342933-1
13.70	1	PCI(LAYOUT SEE SHEET6/7/8)	5-2342933-1
13.70	2	SQUARE FIN	4-2342933-1
23.00	0	NETWORKING	1-2342933-3
16.00	0	SAN	1-2342933-2
13.70	0	PCI	1-2342933-1
23.00	2	NETWORKING	2342933-3
16.00	2	SAN	2342933-2
13.70	2	PCI	2342933-1
DIM A	# REAR PINS	APPLICATION (HEAT SINK OPTION)	PART NUMBER

THIS DRAWING IS A CONTROLLED DOCUMENT.		DMN: ARTHUR JIN 29AUG2018	TE Connectivity
DIMENSIONS: mm		CHK: SEAN HAN 29AUG2018	
TOLERANCES UNLESS OTHERWISE SPECIFIED:		APVD: SEAN HAN 29AUG2018	NAME: CAGE ASSEMBLY, QSFP-DD STANDARD WITH EMI SPRING FINGER
0 PLC ±0.25		PRODUCT SPEC: 108-60122	
1 PLC ±0.25		APPLICATION SPEC: 114-60025	SIZE: A1 CAGE CODE: - DRAWING NO: C=2342933
2 PLC ±0.20		RESTRICTED TO: -	
3 PLC ±0.10		WEIGHT: -	SCALE: 2:1 SHEET 1 OF 11 REV: B1
4 PLC ±0.10		CUSTOMER DRAWING	
ANGLES ±°			
FINISH: -			

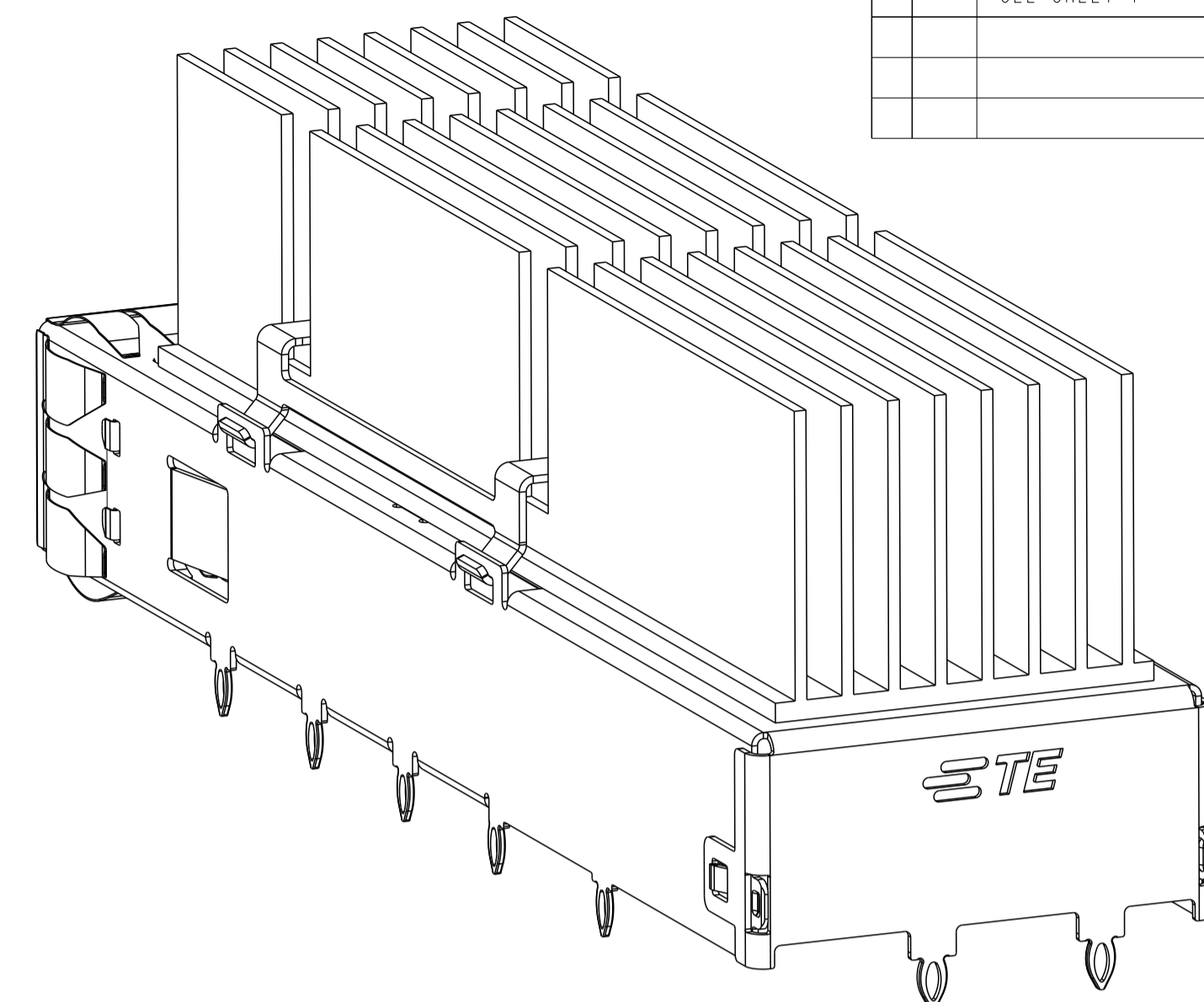
LOC		DIST		REVISIONS				
P	LTN	DATE	DMN	APVD	DESCRIPTION	DATE	DMN	APVD
-	-	-	-	-	SEE SHEET 1	-	-	-



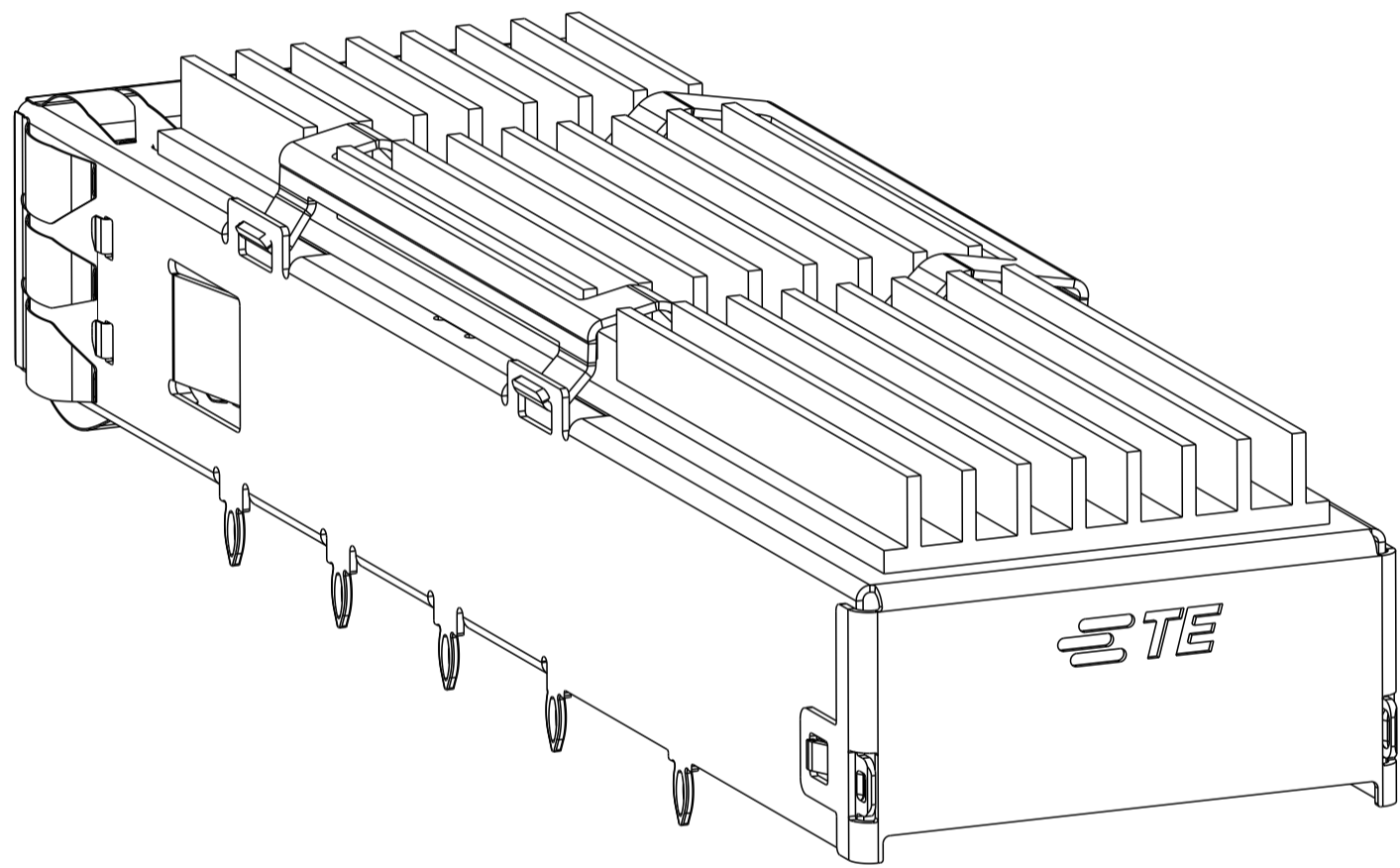
2342933-1 AS SHOWN
WITH PCI HEAT SINK
SCALE 4:1



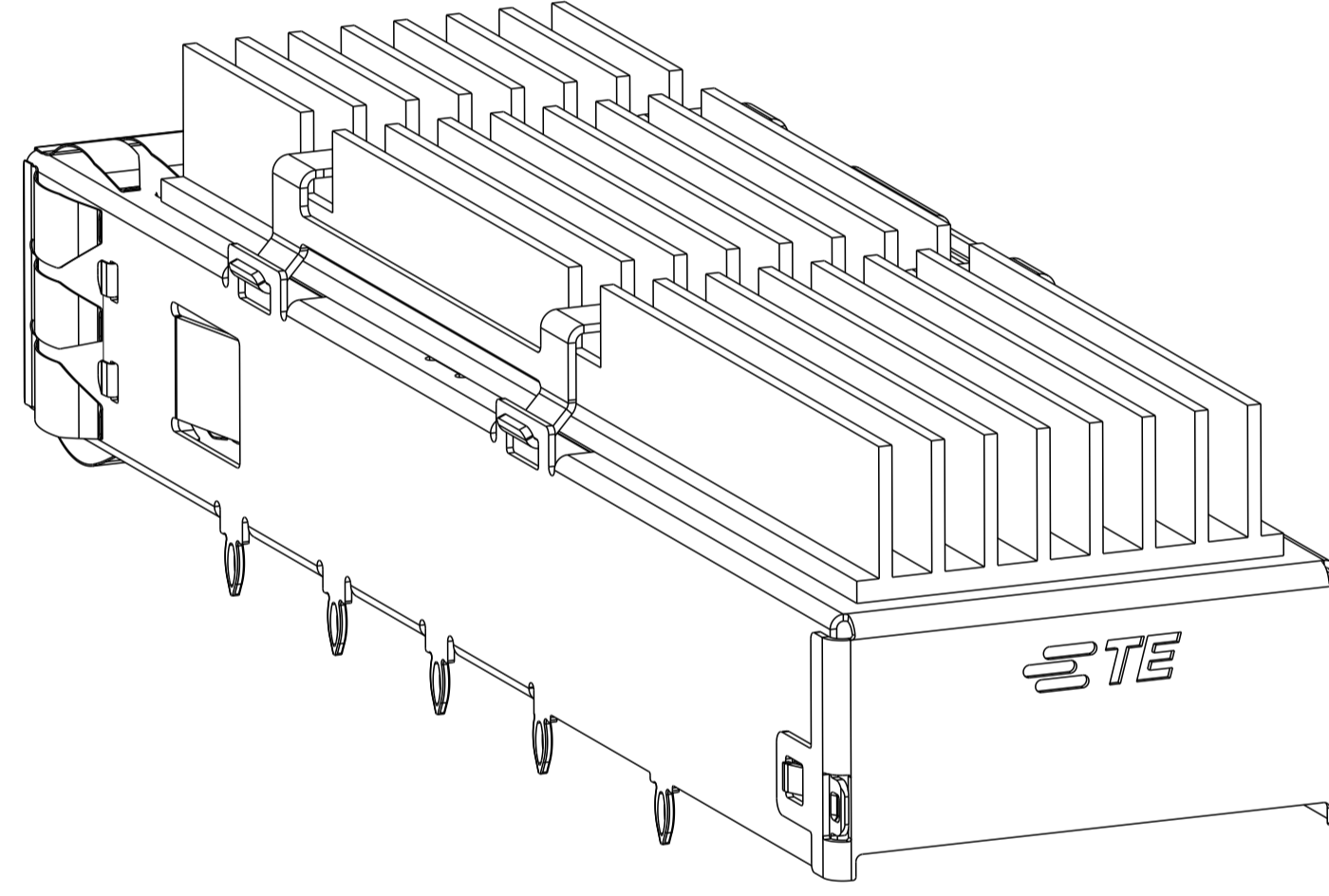
2342933-2 AS SHOWN
WITH SAN HEAT SINK
SCALE 4:1



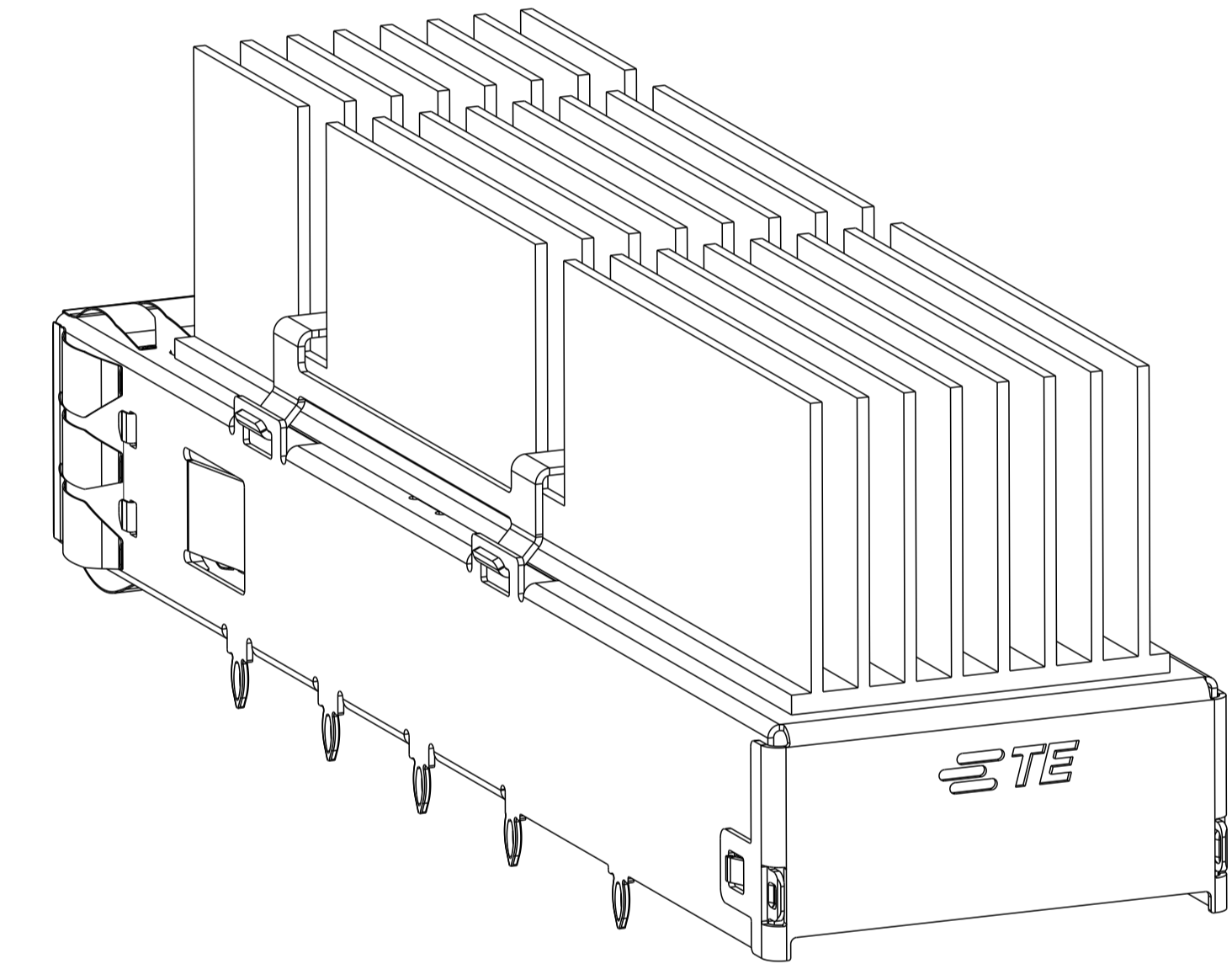
2342933-3 AS SHOWN
WITH NETWORKING HEAT SINK
SCALE 4:1



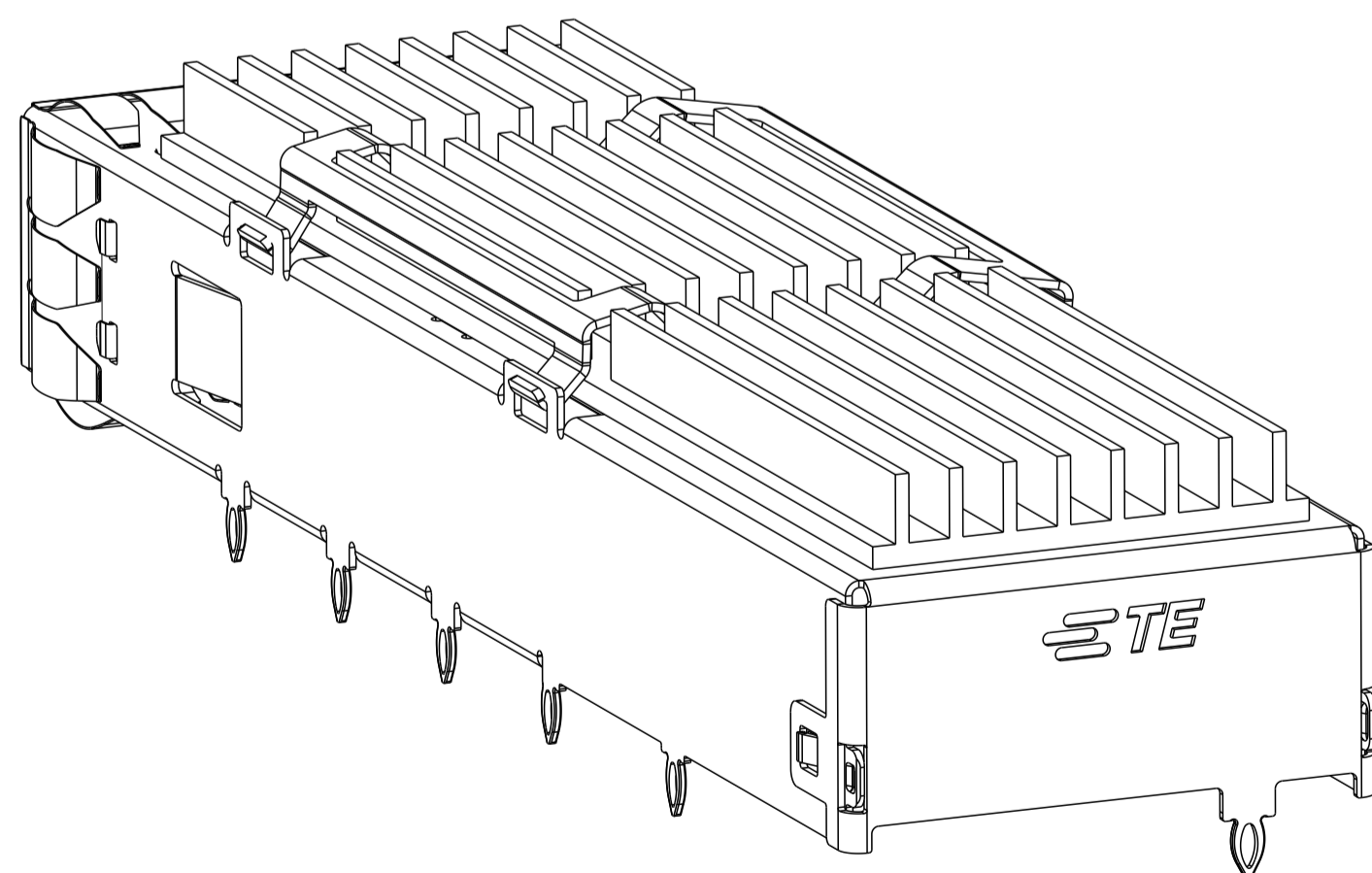
1-2342933-1 AS SHOWN
SAME AS-1 EXCEPT W/O REAR PINS
SCALE 4:1



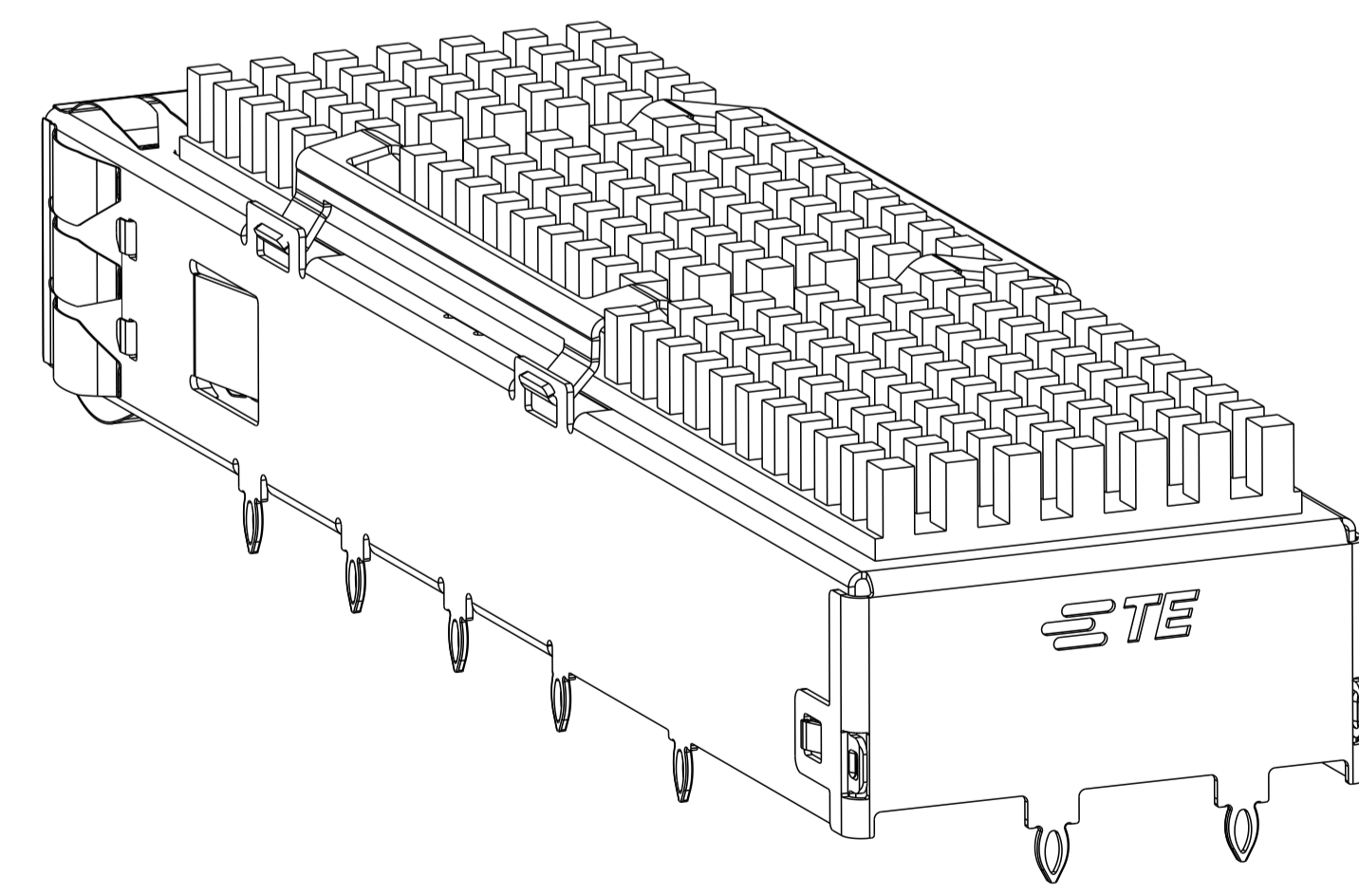
1-2342933-2 AS SHOWN
SAME AS-2 EXCEPT W/O REAR PINS
SCALE 4:1



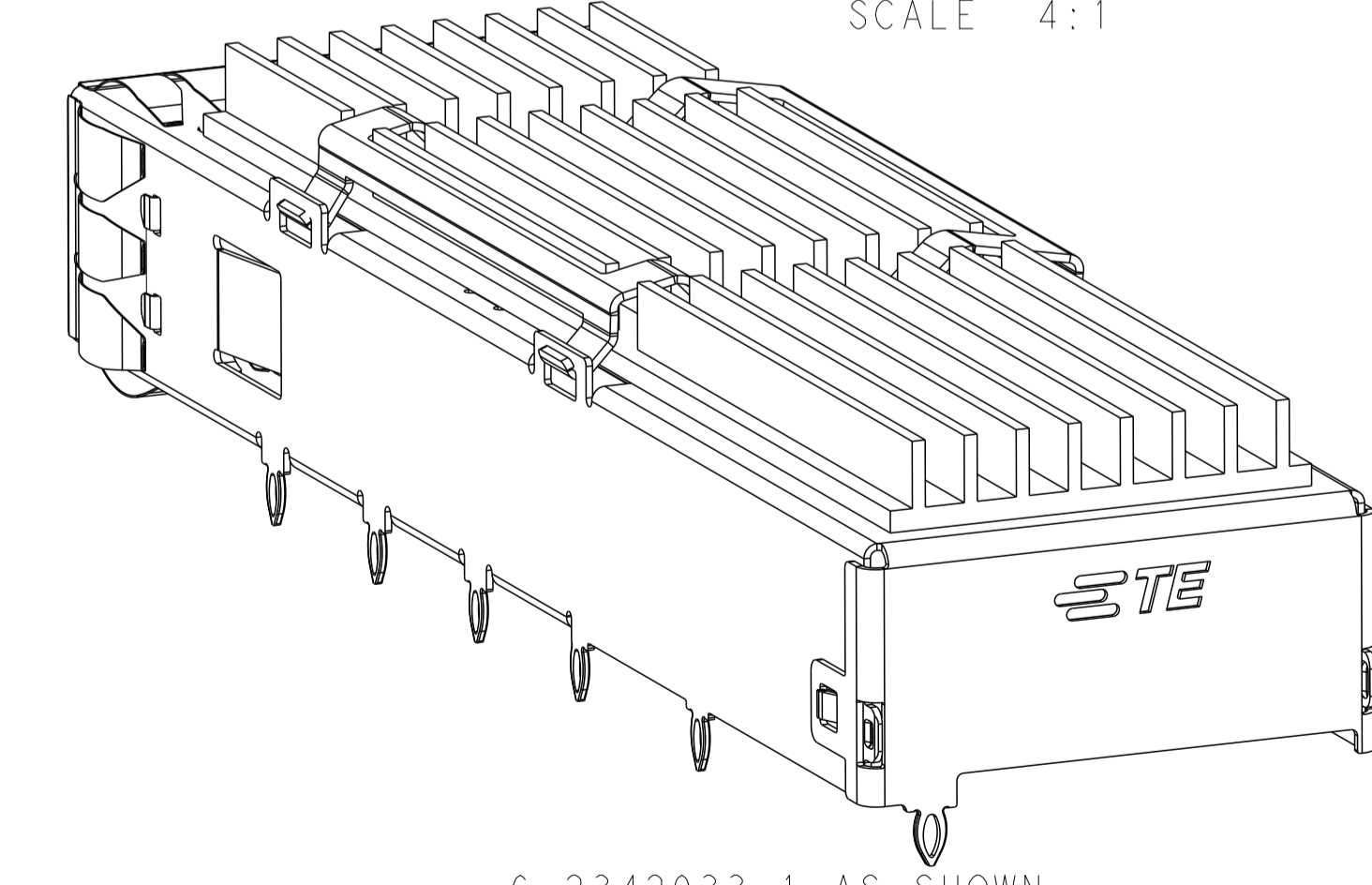
1-2342933-3 AS SHOWN
SAME AS-3 EXCEPT W/O REAR PINS
SCALE 4:1



5-2342933-1 AS SHOWN
SAME AS -1 EXCEPT W SINGLE REAR PIN
SCALE 4:1



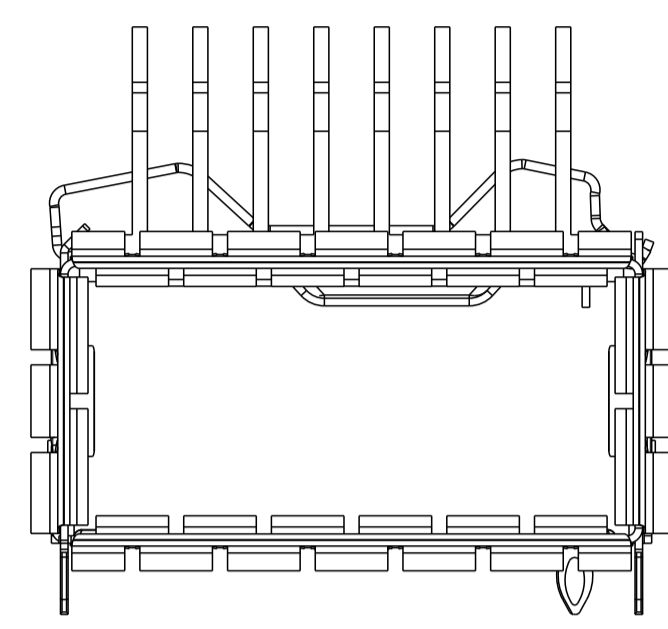
4-2342933-1 AS SHOWN
SAME AS -1 EXCEPT W/ SQUARE FIN HS
SCALE 4:1



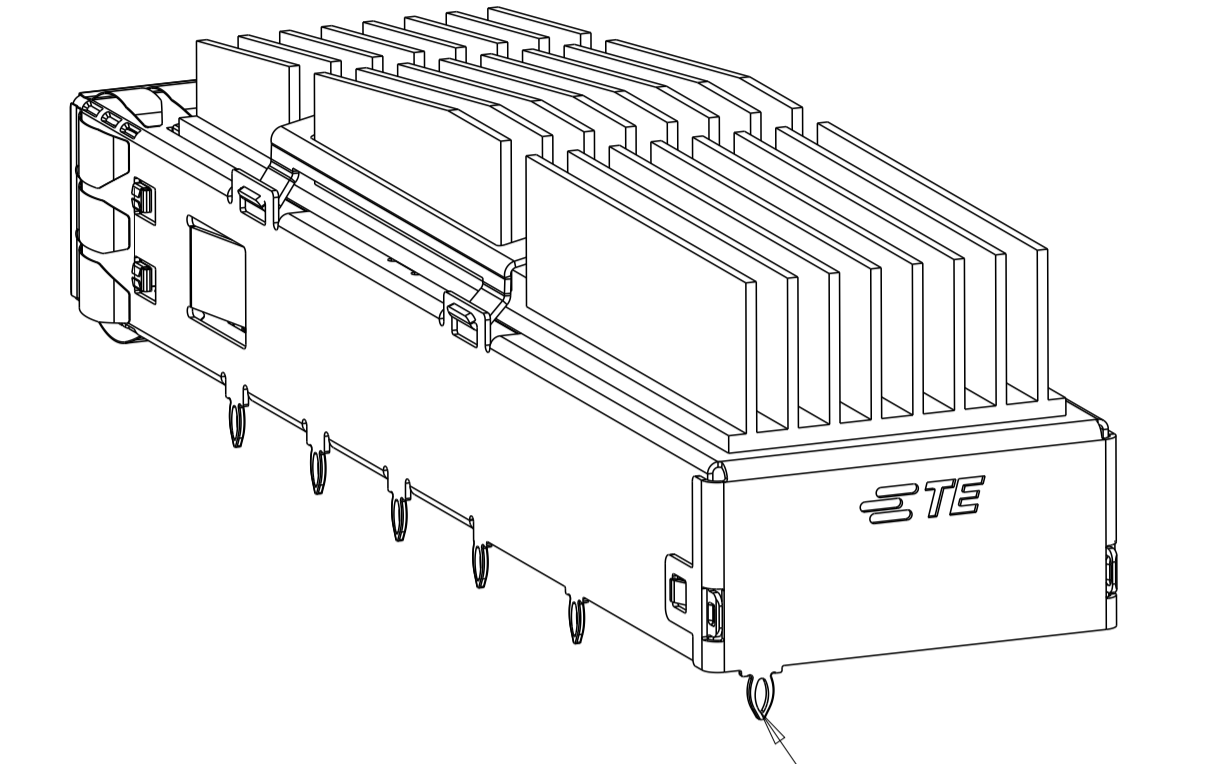
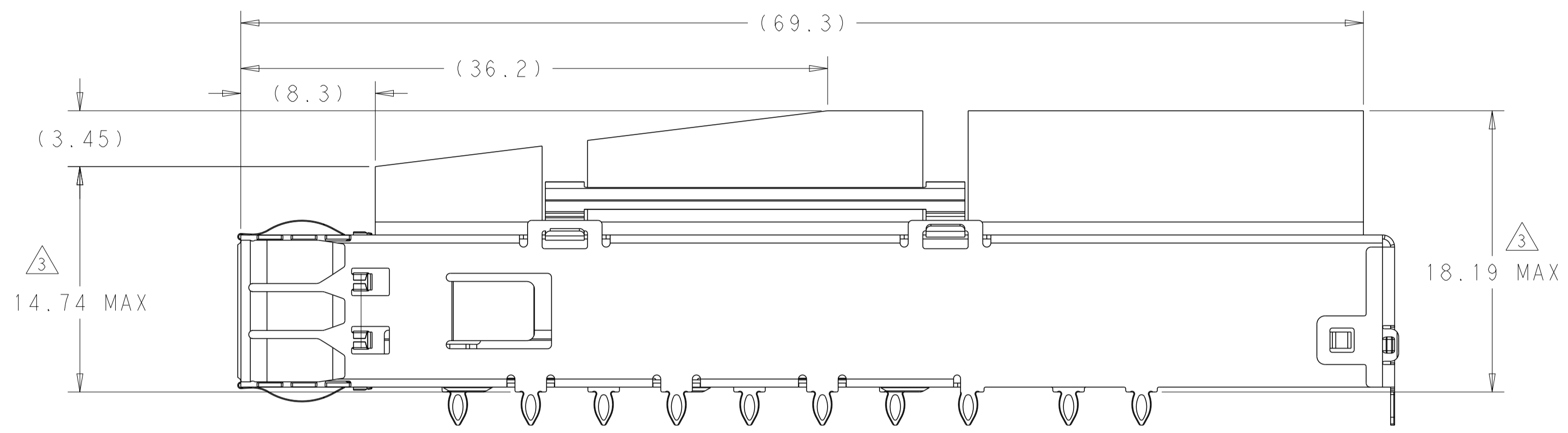
6-2342933-1 AS SHOWN
SAME AS -1 EXCEPT W SINGLE REAR PIN
SCALE 4:1

THIS DRAWING IS A CONTROLLED DOCUMENT.		OWN: ARTHUR JIN 29AUG2018	TE Connectivity
		CHK: SEAN HAN 29AUG2018	
DIMENSIONS:		APVD: SEAN HAN 29AUG2018	NAME: CAGE ASSEMBLY, QSFP-DD STANDARD WITH EMI SPRING FINGER
TOLERANCES UNLESS OTHERWISE SPECIFIED:		PRODUCT SPEC: 108-60122	
mm	0 PLC ±0.25	APPLICATION SPEC: 114-60025	SIZE: A1
	1 PLC ±0.25	WEIGHT: -	CAGE CODE: -
	2 PLC ±0.20	RESTRICTED TO: -	SCALE: 2:1
	3 PLC ±0.10		SHEET 2 OF 11
	4 PLC ±		REV: B1
	ANGLES ±°		
MATERIAL:	FINISH:	CUSTOMER DRAWING	

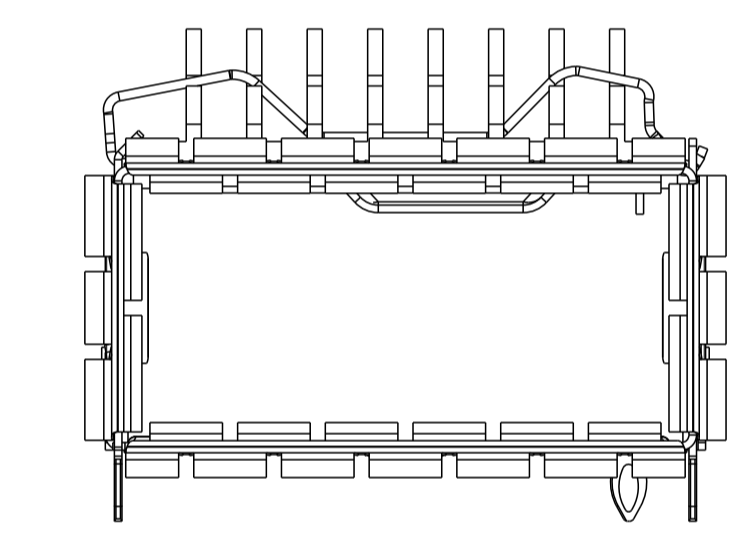
LOC		DIST		REVISIONS			
P	LTN	DESCRIPTION	DATE	DMN	APVD		
-	-	SEE SHEET 1	-	-	-		



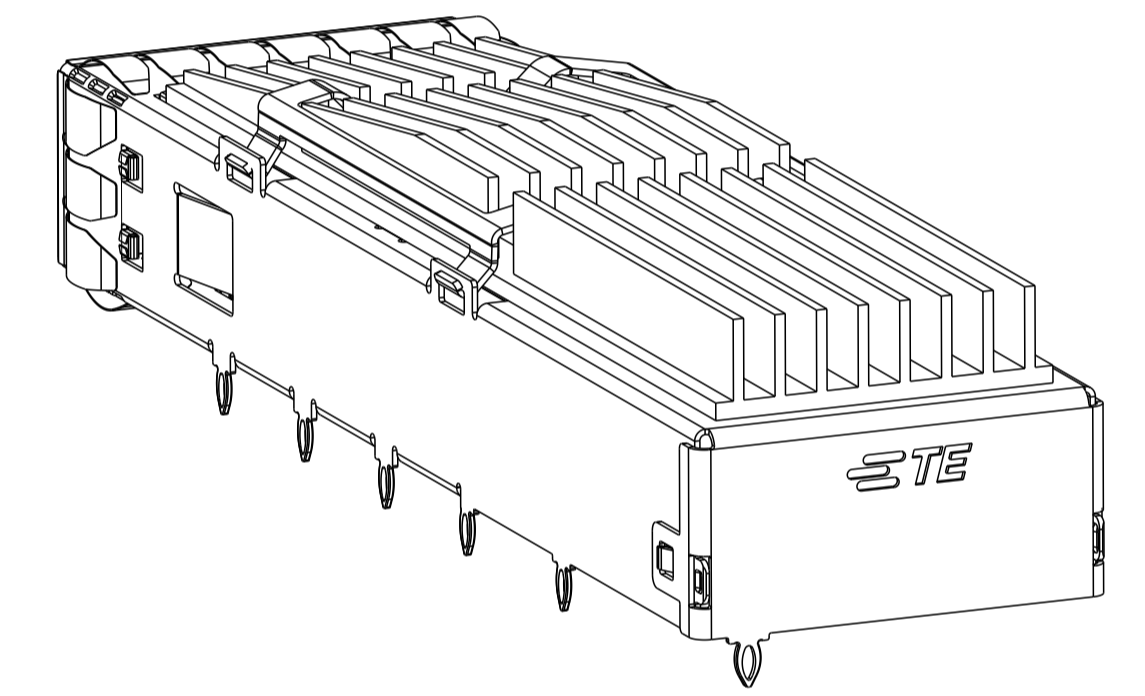
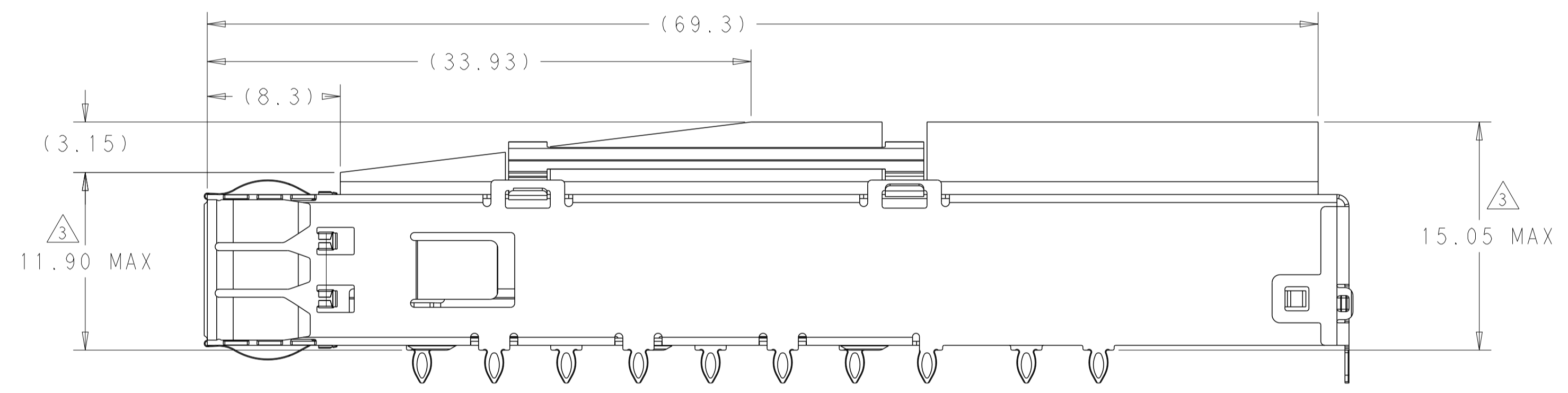
7-2342933-1 AS SHOWN
SCALE 4:1



7-2342933-1 AS SHOWN
SCALE 3:1
1 REAR PIN



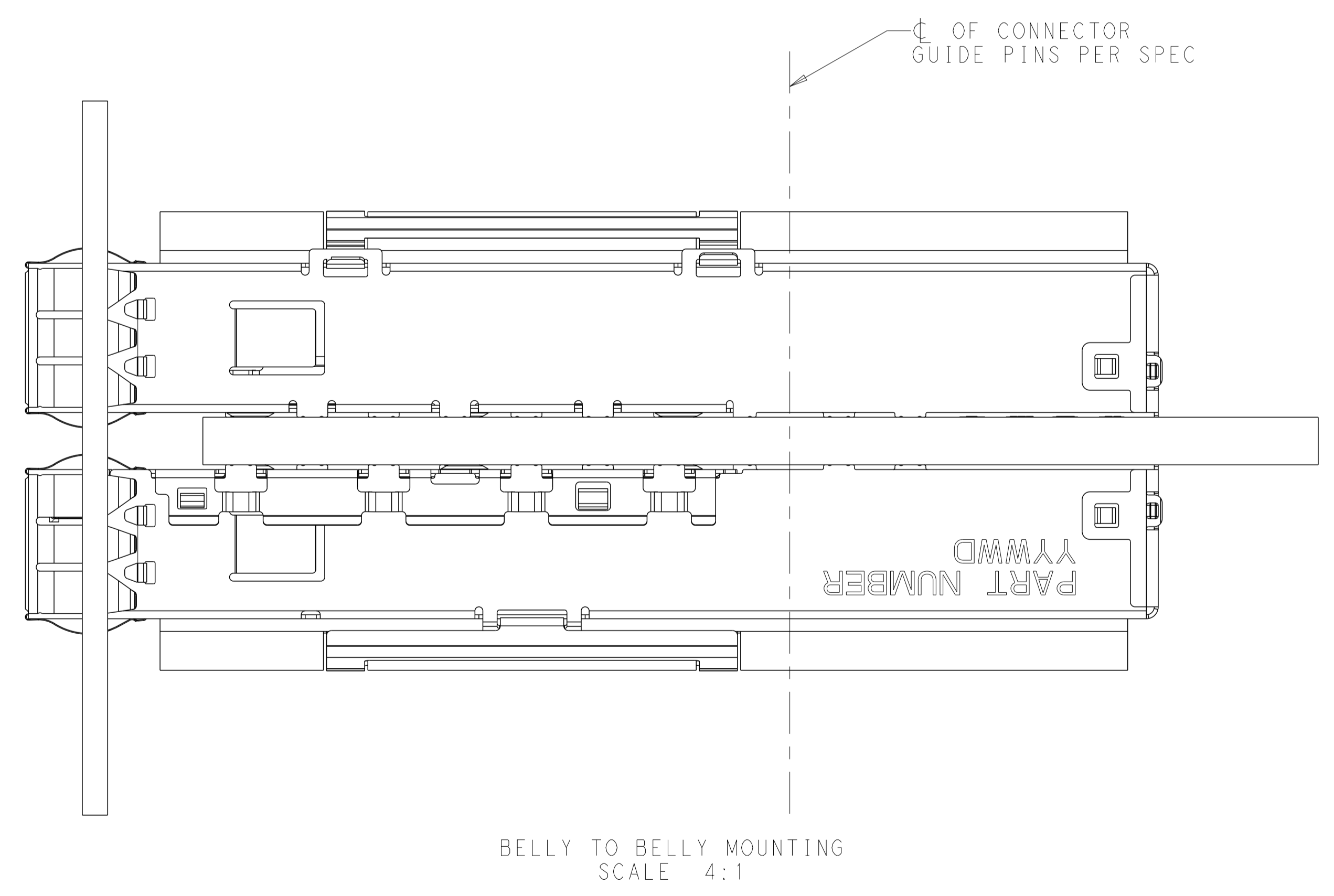
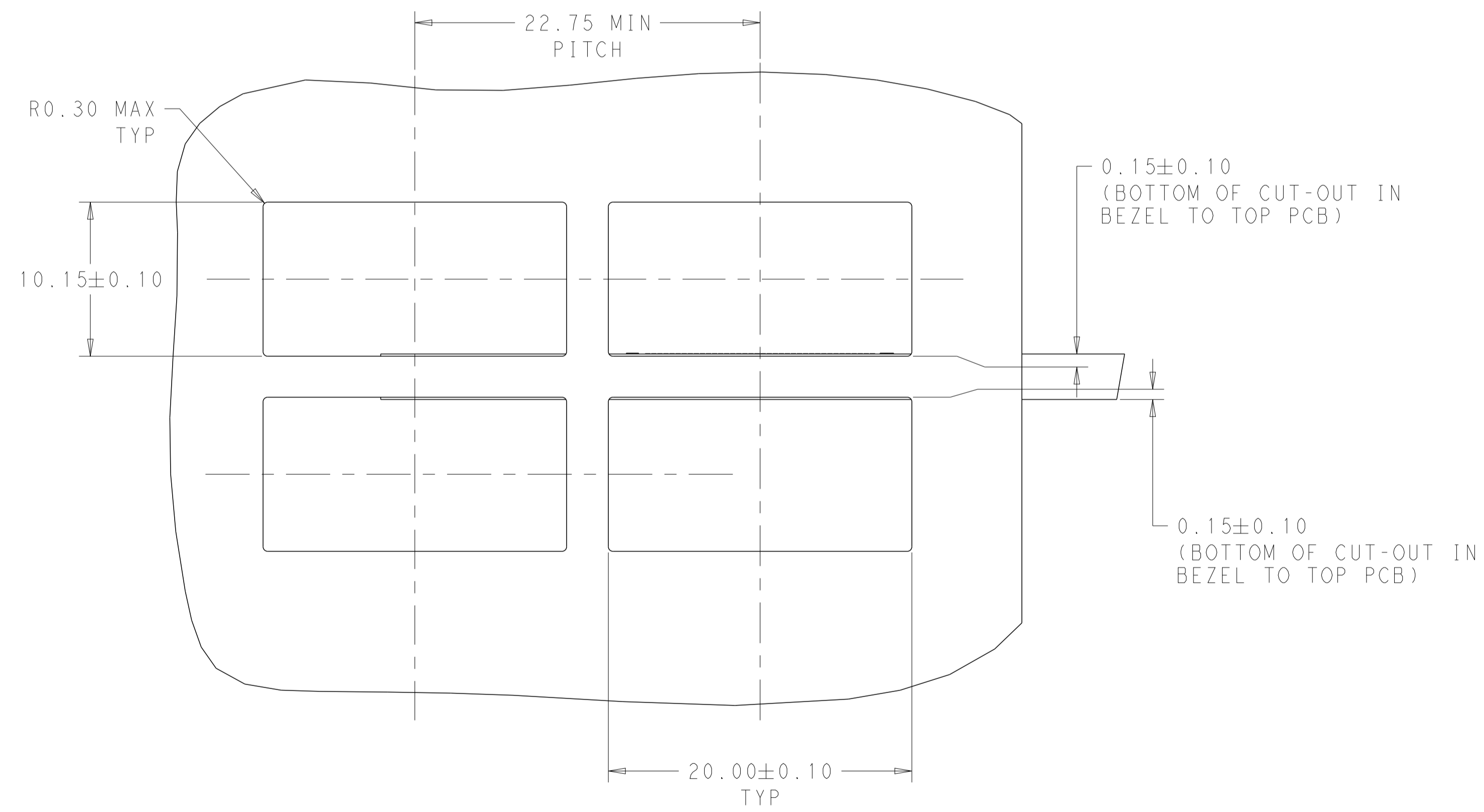
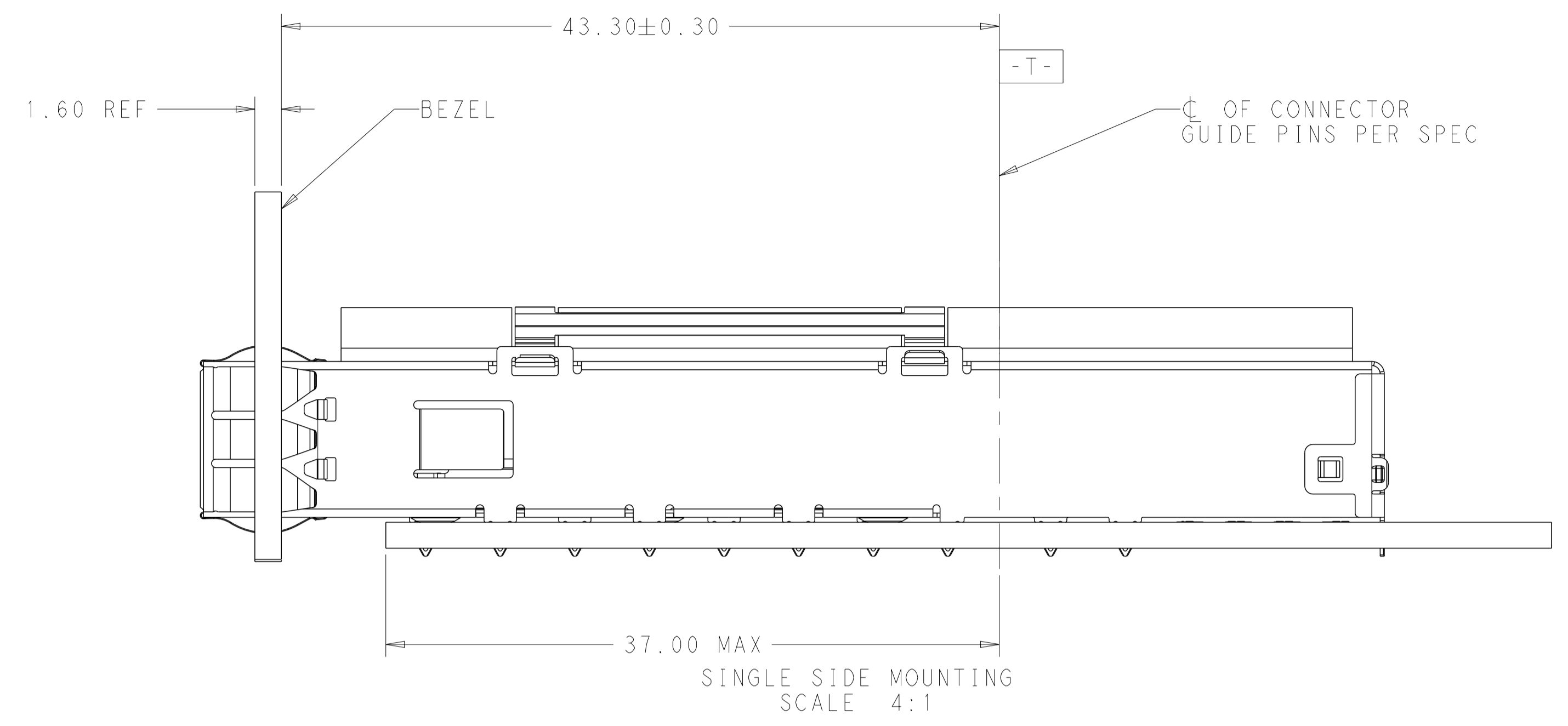
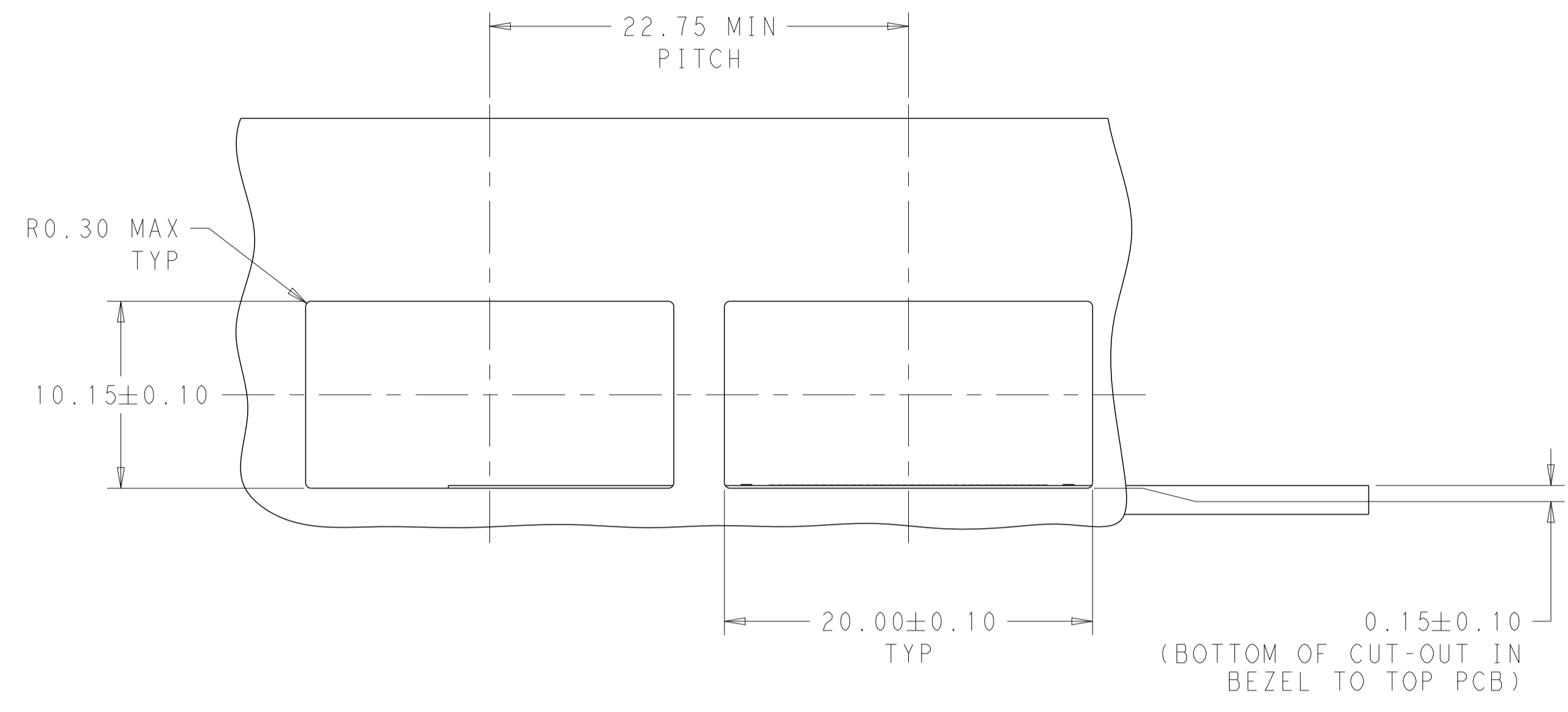
7-2342933-2 AS SHOWN
SAME AS 7-1 EXCEPT HS
SCALE 4:1



7-2342933-2 AS SHOWN
SCALE 3:1

THIS DRAWING IS A CONTROLLED DOCUMENT.		DMN: ARTHUR JLN 29AUG2018	TE Connectivity	
		CHK: SEAN HAN 29AUG2018		
DIMENSIONS:		TOLERANCES UNLESS OTHERWISE SPECIFIED:		NAME: CAGE ASSEMBLY, QSFP-DD STANDARD WITH EMI SPRING FINGER PRODUCT SPEC: 108-60122 APPLICATION SPEC: 114-60025 WEIGHT: - CUSTOMER DRAWING
mm	0 PLC ±0.25			
	1 PLC ±0.25			
	2 PLC ±0.20			
	3 PLC ±0.10			SIZE: A1
	4 PLC ±			CAGE CODE: -
	ANGLES ±			DRAWING NO: C=2342933
	FINISH			RESTRICTED TO: -
				SCALE: 2:1
				SHEET: 3 OF 11
				REV: B1

LOC		DIST		REVISIONS			
P	LTN	DESCRIPTION	DATE	DMN	APVD		
-	-	SEE SHEET 1	-	-	-		

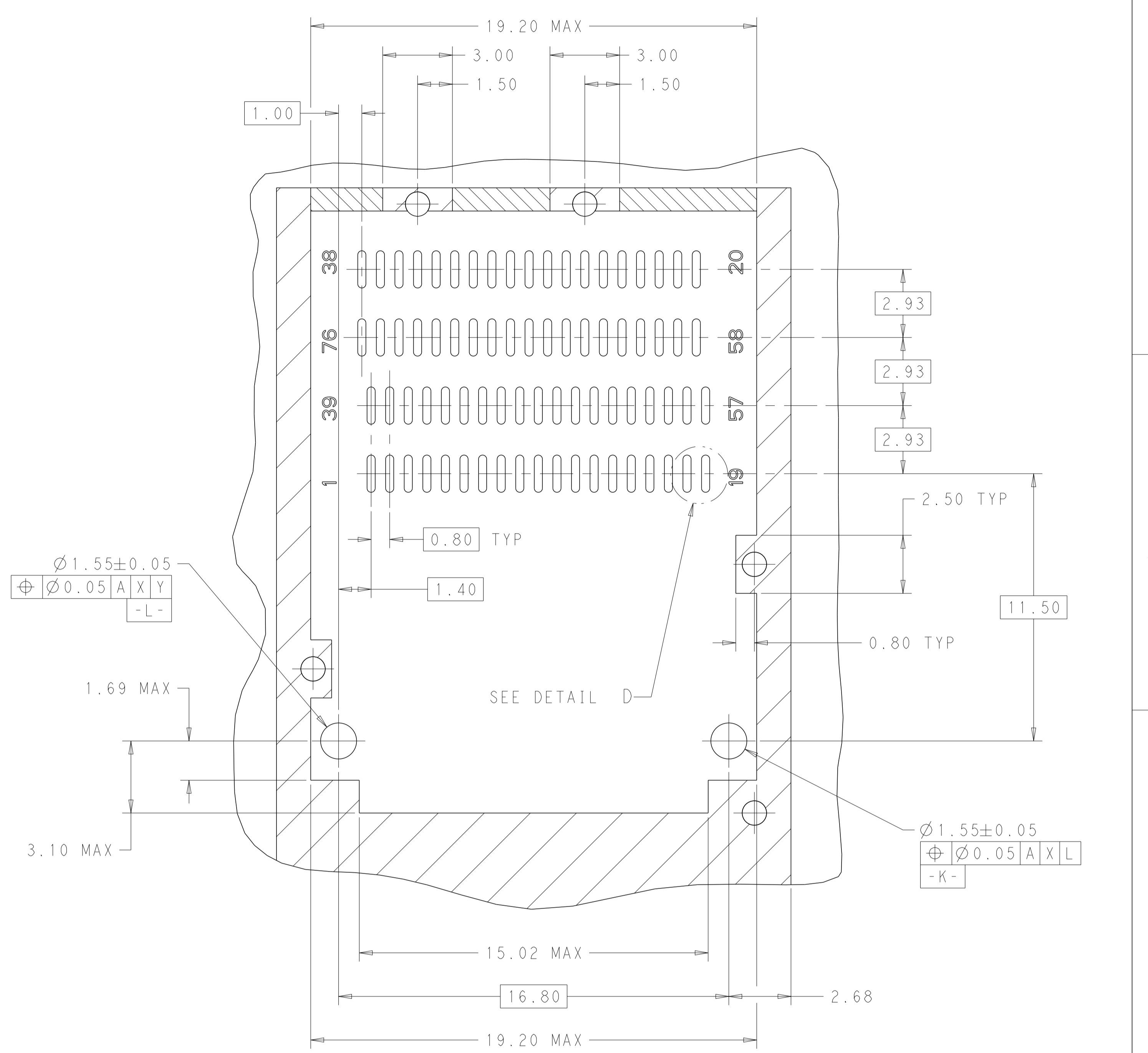
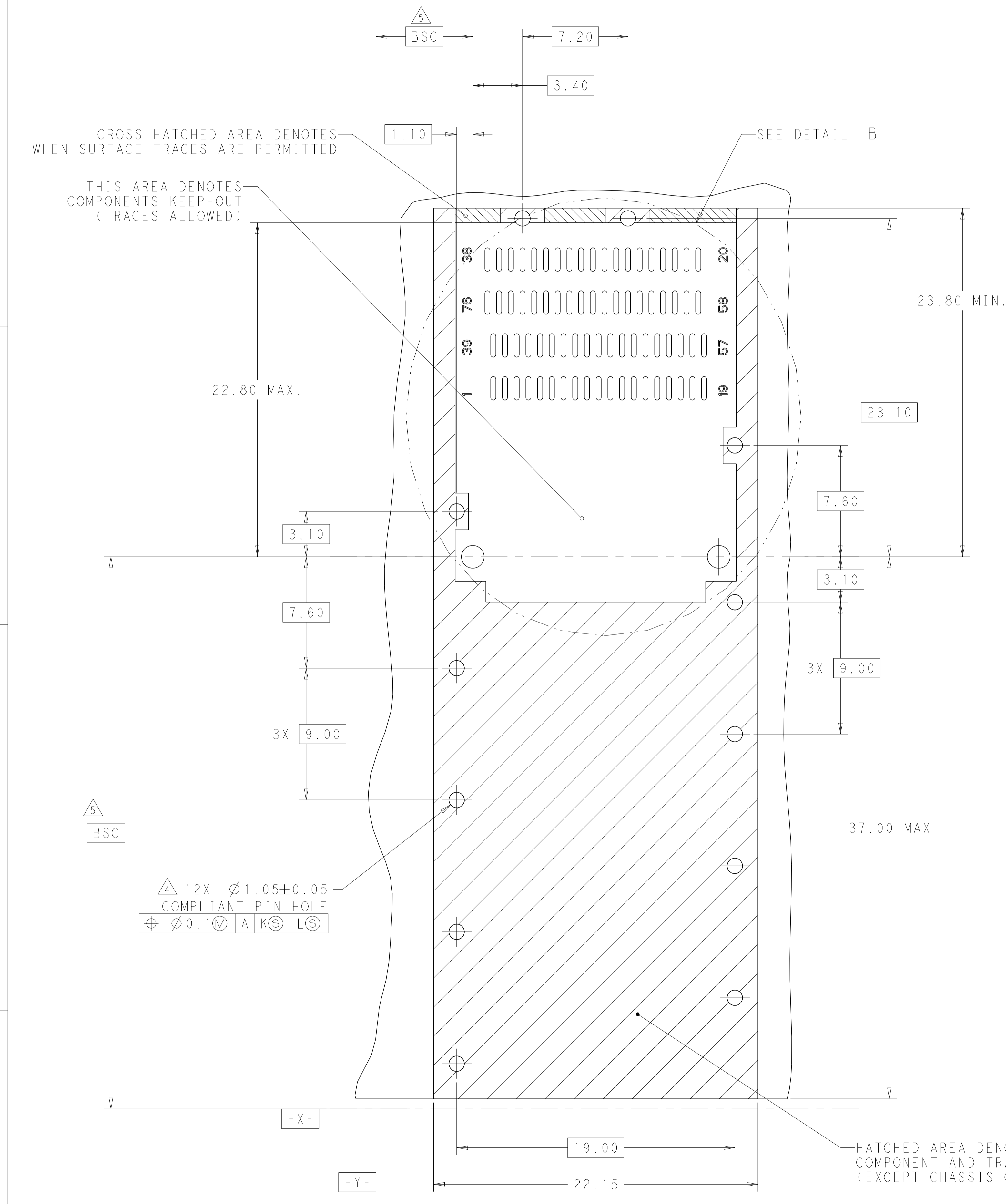


THIS DRAWING IS A CONTROLLED DOCUMENT.

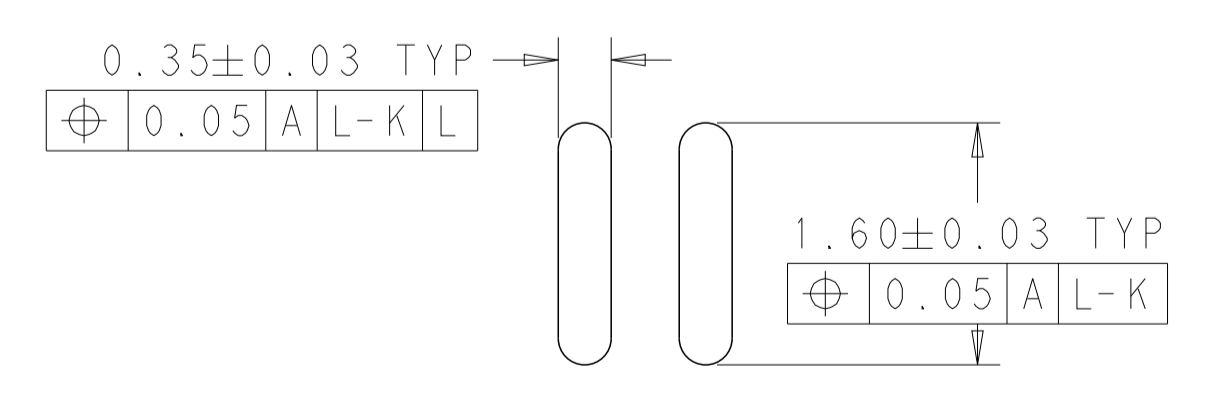
DIMENSIONS:	TOLERANCES UNLESS OTHERWISE SPECIFIED:	DMN: ARTHUR JLN 29AUG2018	CHK: SEAN HAN 29AUG2018	APVD: SEAN HAN 29AUG2018	NAME: CAGE ASSEMBLY, QSFP-DD STANDARD WITH EMI SPRING FINGER
mm	0 PLC ±0.25 1 PLC ±0.25 2 PLC ±0.20 3 PLC ±0.10 4 PLC ± ANGLES ±°	PRODUCT SPEC: 108-60122	APPLICATION SPEC: 114-60025	WEIGHT: -	RESTRICTED TO: -
MATERIAL: -	FINISH: -	SIZE: A1	CAGE CODE: -	DRAWING NO: C=2342933	SCALE: 2:1
CUSTOMER DRAWING		SHEET 4 OF 11		REV: B1	

4805 (3/11)

LOC	DIST	REV	DATE	BY	APPV
-	-	1	29AUG2018	SEAN HAN	
REVISIONS			DESCRIPTION	DATE	BY
-			SEE SHEET 1	-	-



DETAIL B
SCALE 8:1



DETAIL D
SCALE 20:1

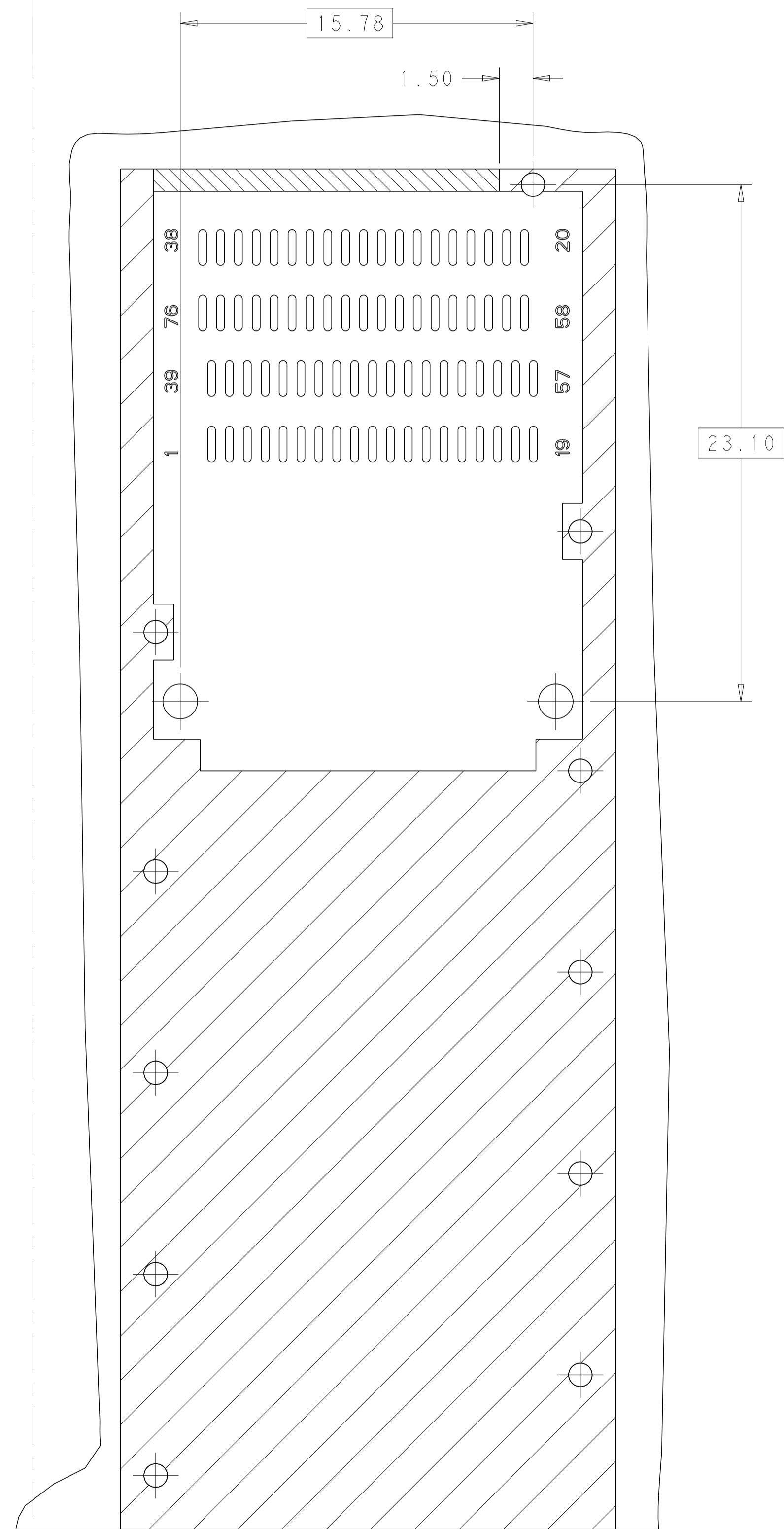
RECOMMENDED PCB LAYOUT
 SINGLE TYPE OF 2 REAR HOLES OF LEGS
 PCB TOLERANCE: ±0.05
 SCALE 6:1

THIS DRAWING IS A CONTROLLED DOCUMENT.		OWN: ARTHUR JIH 29AUG2018	TE Connectivity
DIMENSIONS: mm		CHK: SEAN HAN 29AUG2018	
TOLERANCES UNLESS OTHERWISE SPECIFIED:		APPV: SEAN HAN 29AUG2018	NAME: CAGE ASSEMBLY, QSFP-DD STANDARD WITH EMI SPRING FINGER
0 PLC ±0.25	1 PLC ±0.25	PRODUCT SPEC: 108-60122	SIZE: A1
2 PLC ±0.20	3 PLC ±0.10	APPLICATION SPEC: 114-60025	CAGE CODE: -
4 PLC ±0.10	ANGLES ±°	WEIGHT: -	DRAWING NO: C=2342933
MATERIAL: -	FINISH: -	CUSTOMER DRAWING	SCALE: 2:1
		SHEET 5 OF 11	REV: B1

THIS DRAWING IS UNPUBLISHED. RELEASED FOR PUBLICATION
COPYRIGHT - ALL RIGHTS RESERVED.


LOC		DIST		REVISIONS			
P	LTN	DESCRIPTION	DATE	DMN	APVD		
-	-	SEE SHEET 1	-	-	-		

- Y -

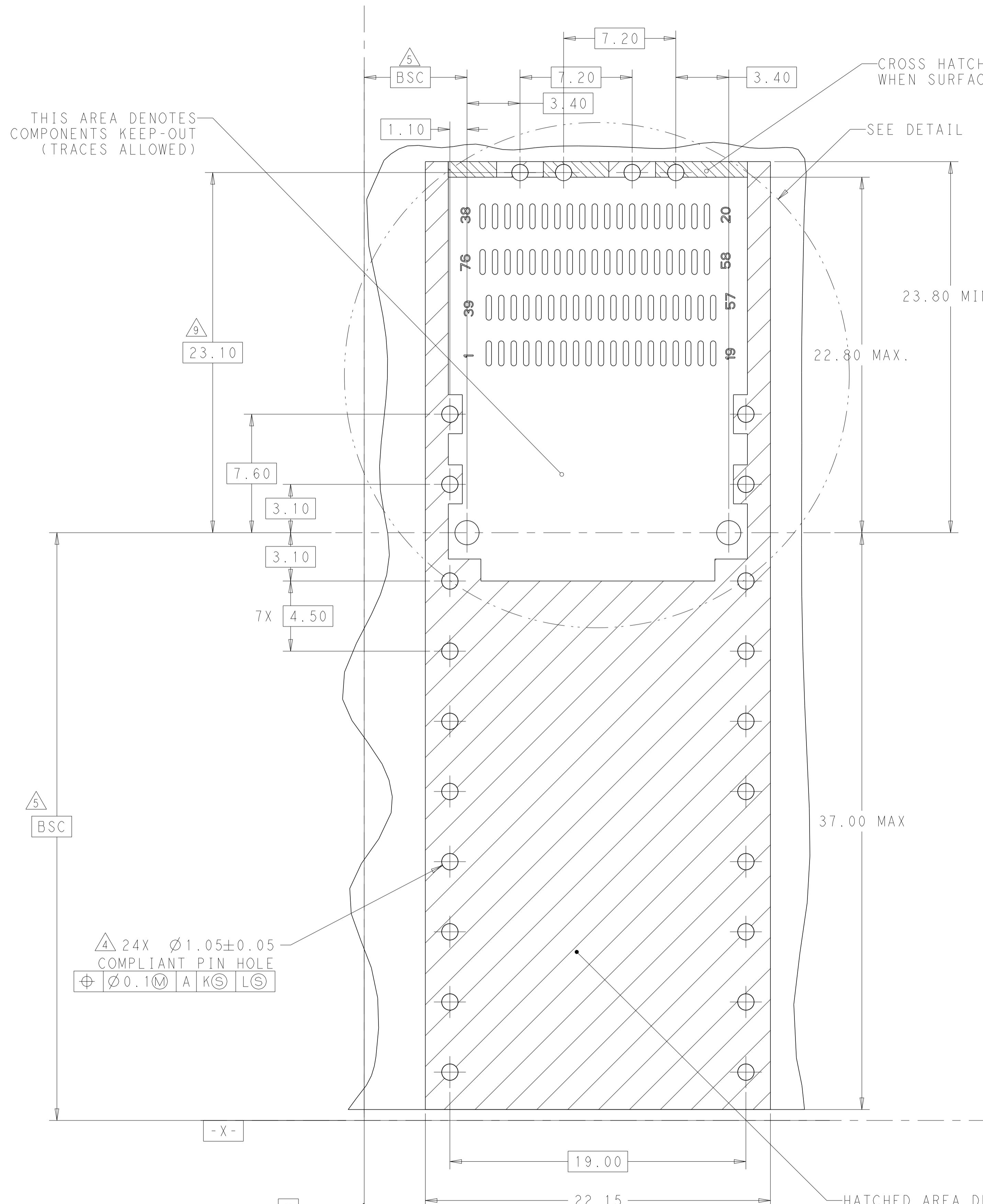


- X -

RECOMMENDED PCB LAYOUT
 SINGLE TYPE OF 1 REAR HOLES OF LEGS
 UNSPECIFIED DIMENSIONS ARE SAME AS SUNGLE TYPE OF 2 REAR HOLES OF LEGS
 PCB TOLERANCE: ±0.05
 SCALE 6:1

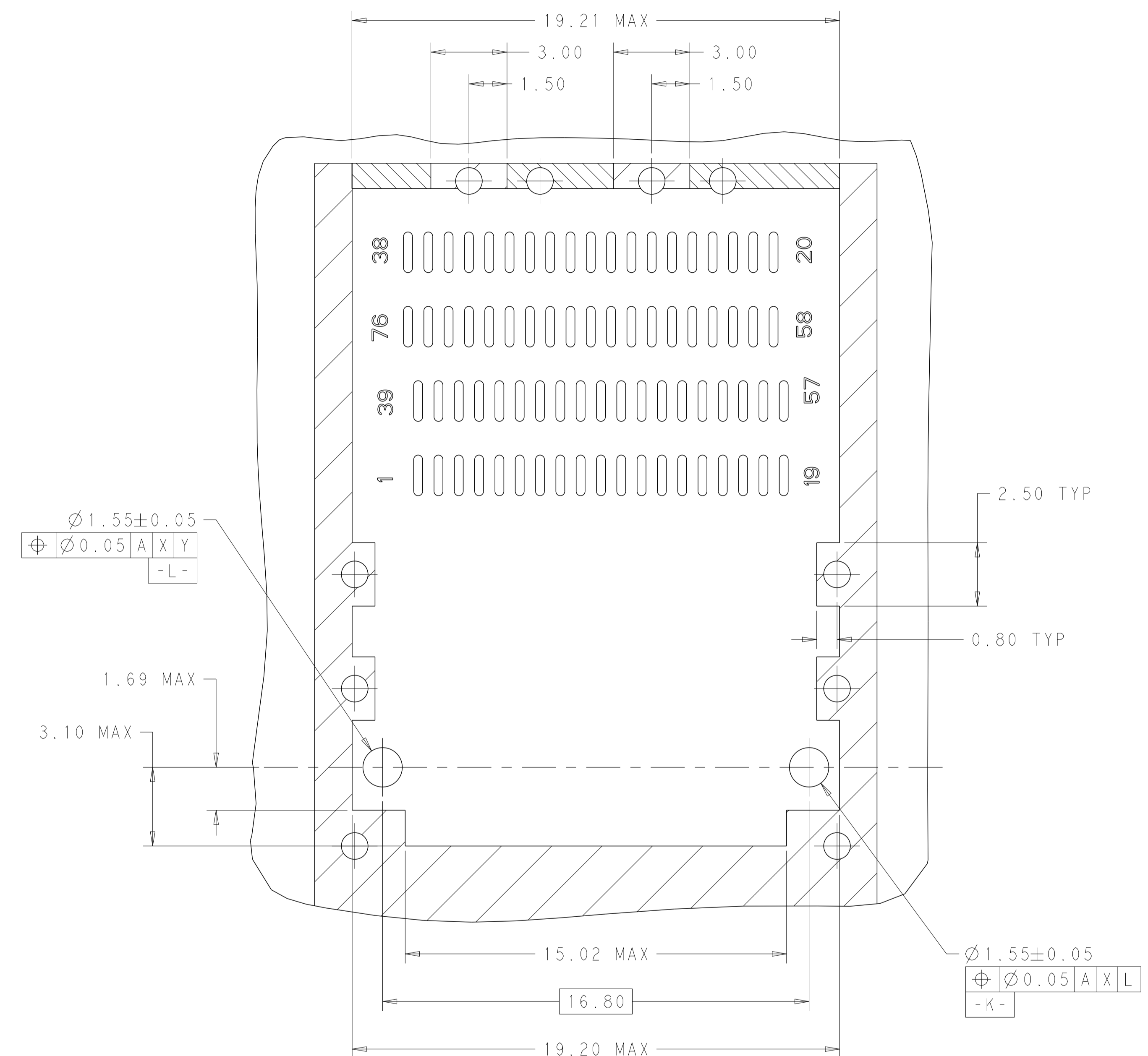
THIS DRAWING IS A CONTROLLED DOCUMENT.		DMN	ARTHUR JLN	29AUG2018	 TE Connectivity
		CHK	SEAN HAN	29AUG2018	
DIMENSIONS:		TOLERANCES UNLESS OTHERWISE SPECIFIED:		NAME	
mm	0 PLC ±0.25	APVD		SEAN HAN 29AUG2018	
	1 PLC ±0.25	PRODUCT SPEC		108-60122	
	2 PLC ±0.20	APPLICATION SPEC		114-60025	
	3 PLC ±0.10	SIZE		A1	
	4 PLC ±	CAGE CODE		C=2342933	
	ANGLES ±	DRAWING NO		114-60025	
	FINISH ±	WEIGHT		-	
MATERIAL	-	CUSTOMER DRAWING		SCALE 2:1 SHEET 6 OF 11 REV B1	

LOC		DIST		REVISIONS			
P	LTN	DESCRIPTION	DATE	OWN	APVD		
-	-	SEE SHEET 1	-	-	-		



CROSS HATCHED AREA DENOTES WHEN SURFACE TRACES ARE PERMITTED

SEE DETAIL C



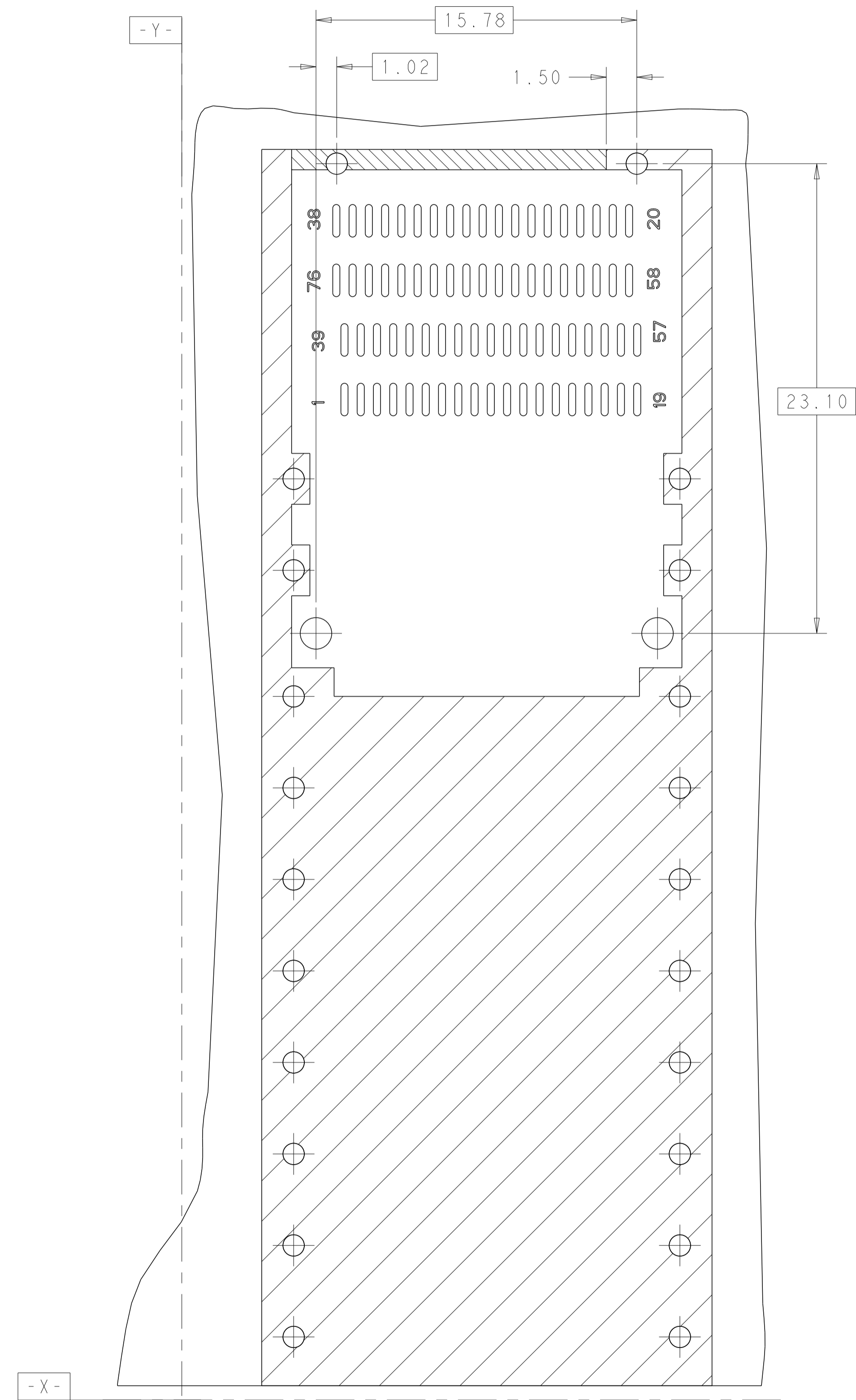
DETAIL C
SCALE 8:1

RECOMMENDED PCB LAYOUT
BELLY TO BELLY TYPE OF 2 REAR HOLES OF LEGS
PCB TOLERANCE: ± 0.05
SCALE 6:1

THIS DRAWING IS A CONTROLLED DOCUMENT.		OWN: ARTHUR JIN 29AUG2018	TE Connectivity
DIMENSIONS: mm		CHK: SEAN HAN 29AUG2018	
TOLERANCES UNLESS OTHERWISE SPECIFIED:		APVD: SEAN HAN 29AUG2018	NAME: CAGE ASSEMBLY, QSPF-DD STANDARD WITH EMI SPRING FINGER
0 PLC ± 0.25	1 PLC ± 0.25	PRODUCT SPEC: 108-60122	SIZE: A1
2 PLC ± 0.20	3 PLC ± 0.10	APPLICATION SPEC: 114-60025	CAGE CODE: -
4 PLC \pm	ANGLES \pm	FINISH \pm	DRAWING NO: C=2342933
MATERIAL: -	WEIGHT: -	CUSTOMER DRAWING	RESTRICTED TO: -
SCALE 2:1			SHEET 7 OF 11
REV B1			

LOC		DIST		REVISIONS			
P	LTN	DESCRIPTION	DATE	DMN	APVD		
-	-	SEE SHEET 1	-	-	-		

BELOW LAYOUT APPLY TO 6-1/7-1/7-2



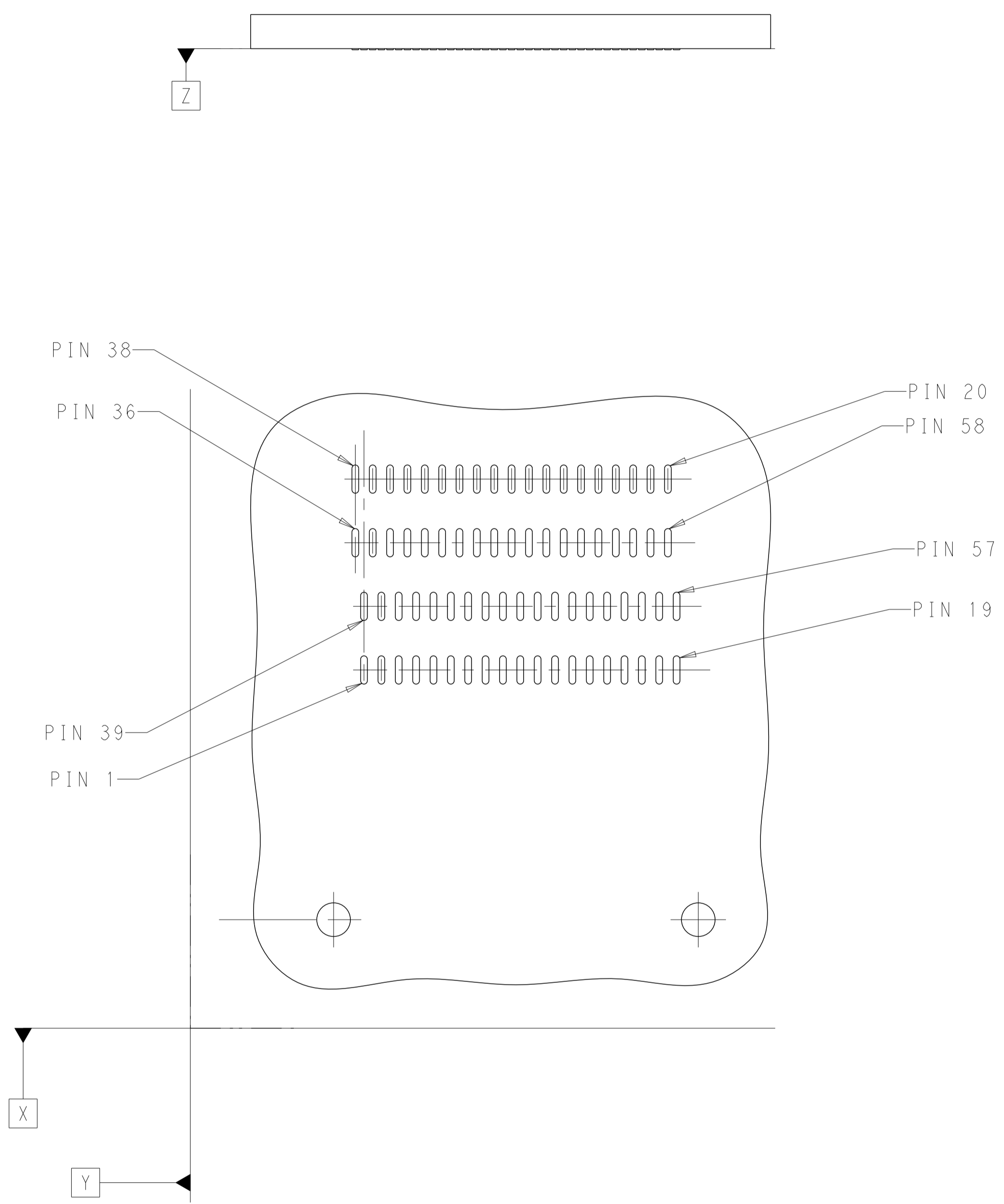
RECOMMENDED PCB LAYOUT
 BELLY TO BELLY OF 1 REAR HOLES OF LEGS
 UNSPECIFIED DIMENSIONS ARE SAME AS BELLY TO BELLY OF 2 REAR HOLES OF LEGS
 PCB TOLERANCE: ±0.05 SCALE 6:1

THIS DRAWING IS A CONTROLLED DOCUMENT.		DMN	ARTHUR JLN	29AUG2018	TE Connectivity
		CHK	SEAN HAN	29AUG2018	
DIMENSIONS:		TOLERANCES UNLESS OTHERWISE SPECIFIED:		NAME	
mm	0 PLC ±0.25	APVD		SEAN HAN 29AUG2018	
	1 PLC ±0.25	PRODUCT SPEC		108-60122	
	2 PLC ±0.20	APPLICATION SPEC		114-60025	
	3 PLC ±0.10	SIZE		A1	
	4 PLC ±	CAGE CODE		C=2342933	
	ANGLES ±	DRAWING NO		114-60025	
	FINISH ±	RESTRICTED TO		-	
MATERIAL		WEIGHT		-	
		CUSTOMER DRAWING		SCALE 2:1 SHEET 8 OF 11 REV B1	


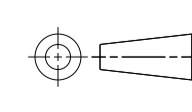
THIS DRAWING IS UNPUBLISHED. RELEASED FOR PUBLICATION
 © COPYRIGHT - ALL RIGHTS RESERVED.

LOC		DIST		REVISIONS			
P	LTN	DESCRIPTION	DATE	DMN	APVD		
-	-	SEE SHEET 1	-	-	-		

NOTES: RECOMMENDED PCB LAYOUT FOR 112G
 DETAILS SEE DRAWING NO. 2372133

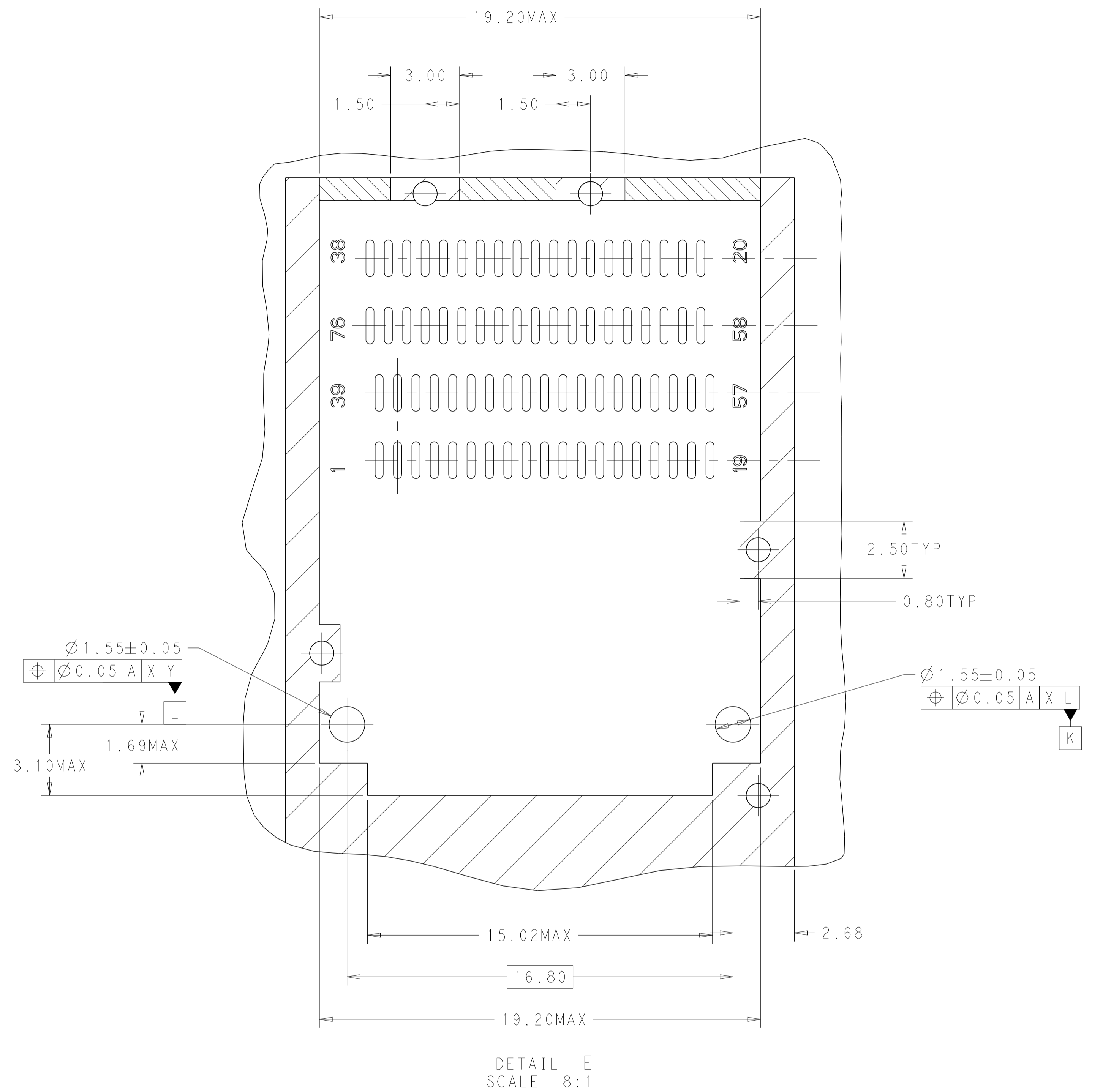
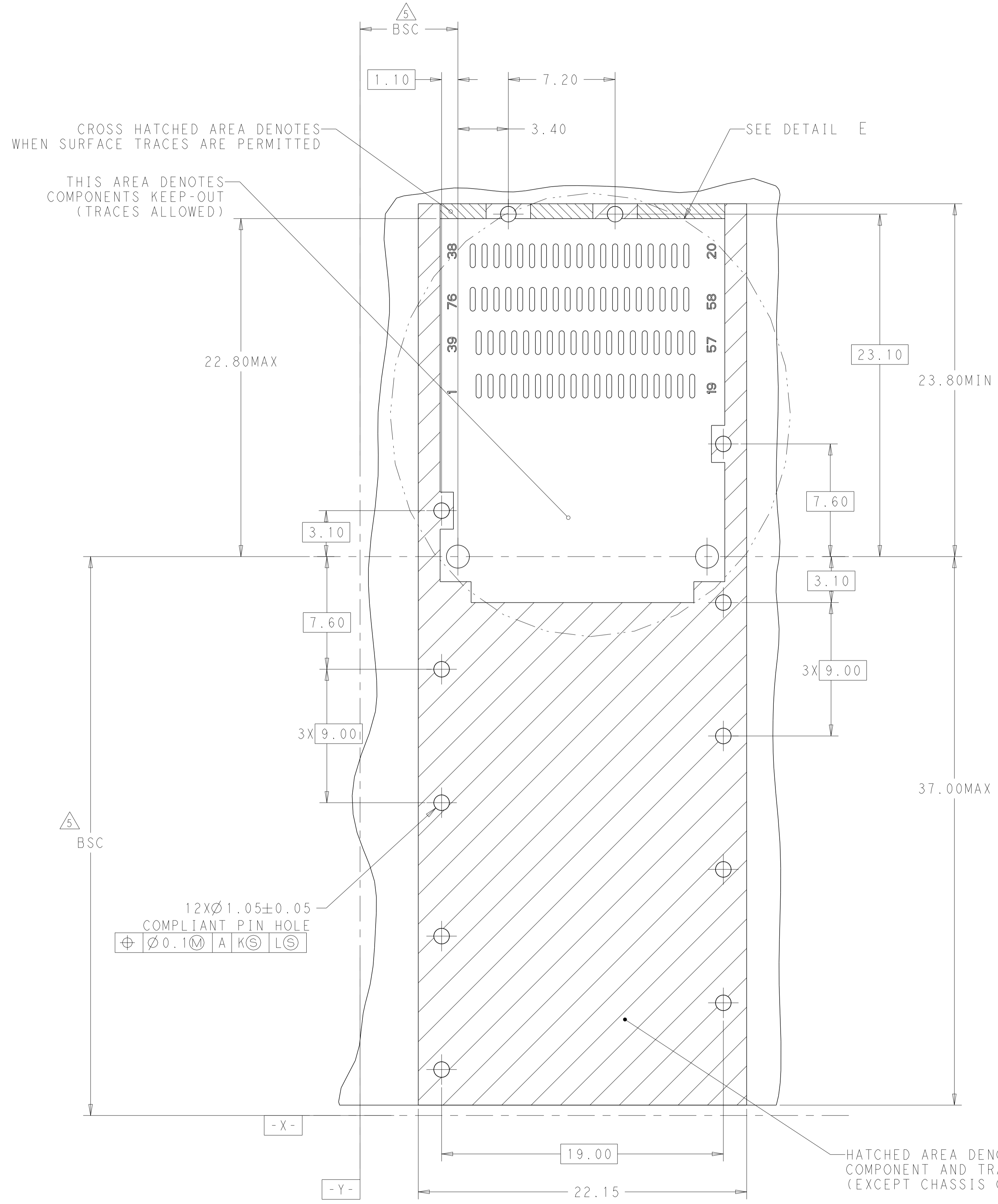


RECOMMENDED PCB LAYOUT FOR 112G
 DETAILS SEE DRAWING 2372133
 SCALE 6:1

THIS DRAWING IS A CONTROLLED DOCUMENT.		DMN: ARTHUR JLN 29AUG2018	 TE Connectivity
DIMENSIONS: mm		CHK: SEAN HAN 29AUG2018	
TOLERANCES UNLESS OTHERWISE SPECIFIED: 0 PLC ±0.25 1 PLC ±0.25 2 PLC ±0.20 3 PLC ±0.10 4 PLC ± ANGLES ±°		APVD: SEAN HAN 29AUG2018	NAME: CAGE ASSEMBLY, QSFP-DD STANDARD WITH EMI SPRING FINGER
		PRODUCT SPEC: 108-60122	RESTRICTED TO: -
MATERIAL: -		APPLICATION SPEC: 114-60025	SIZE: A1
FINISH: -		WEIGHT: -	CAGE CODE: -
		CUSTOMER DRAWING	DRAWING NO: C=2342933
		SCALE: 2:1	SHEET 9 OF 11
			REV: B1

LOC	DIST	REV	DATE	BY	APPV
-	-	1	29AUG2018	SEAN HAN	
REVISIONS			DESCRIPTION	DATE	BY
-			SEE SHEET 1	-	-

NOTES: RECOMMENDED PCB LAYOUT FOR 112G

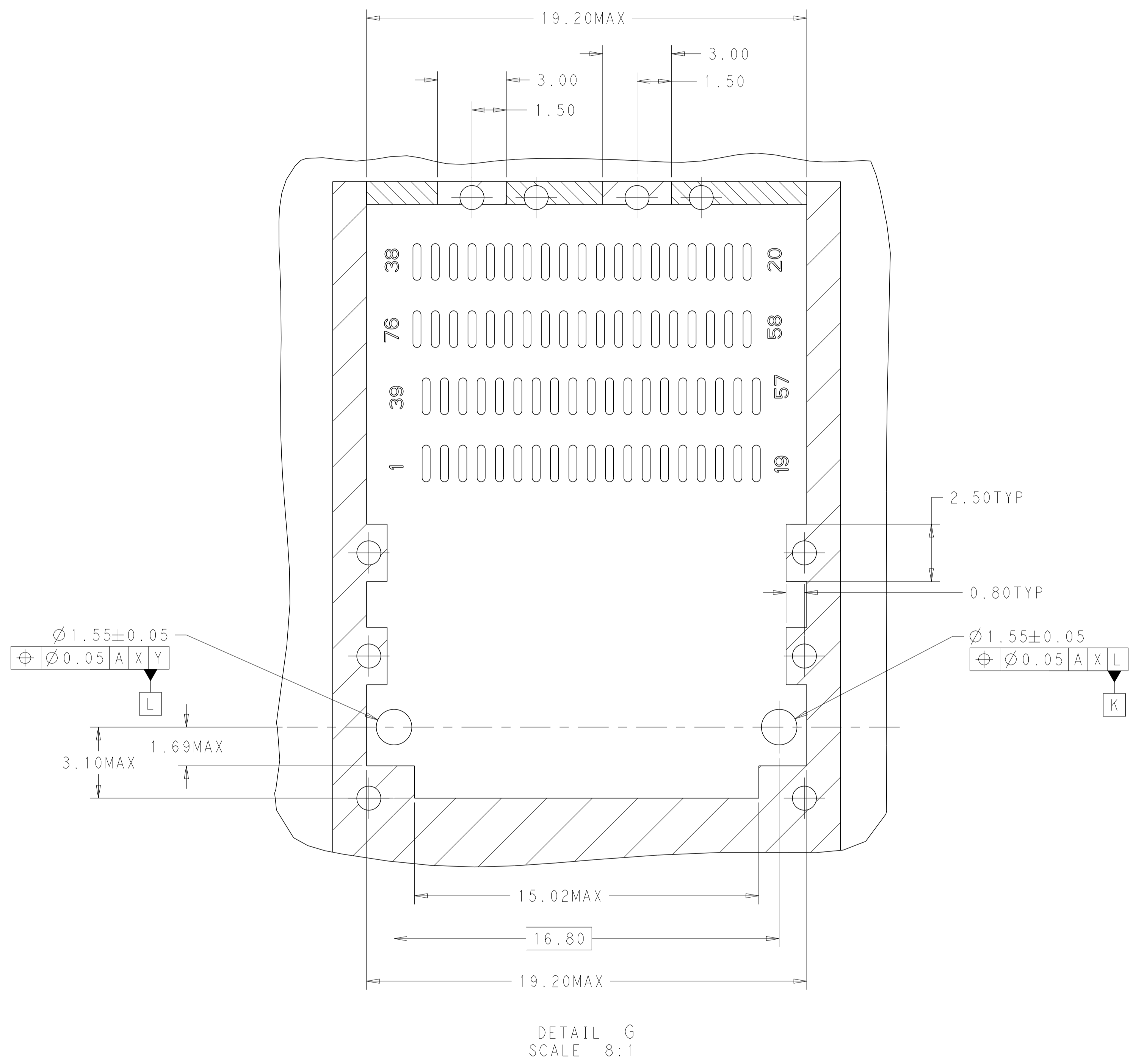
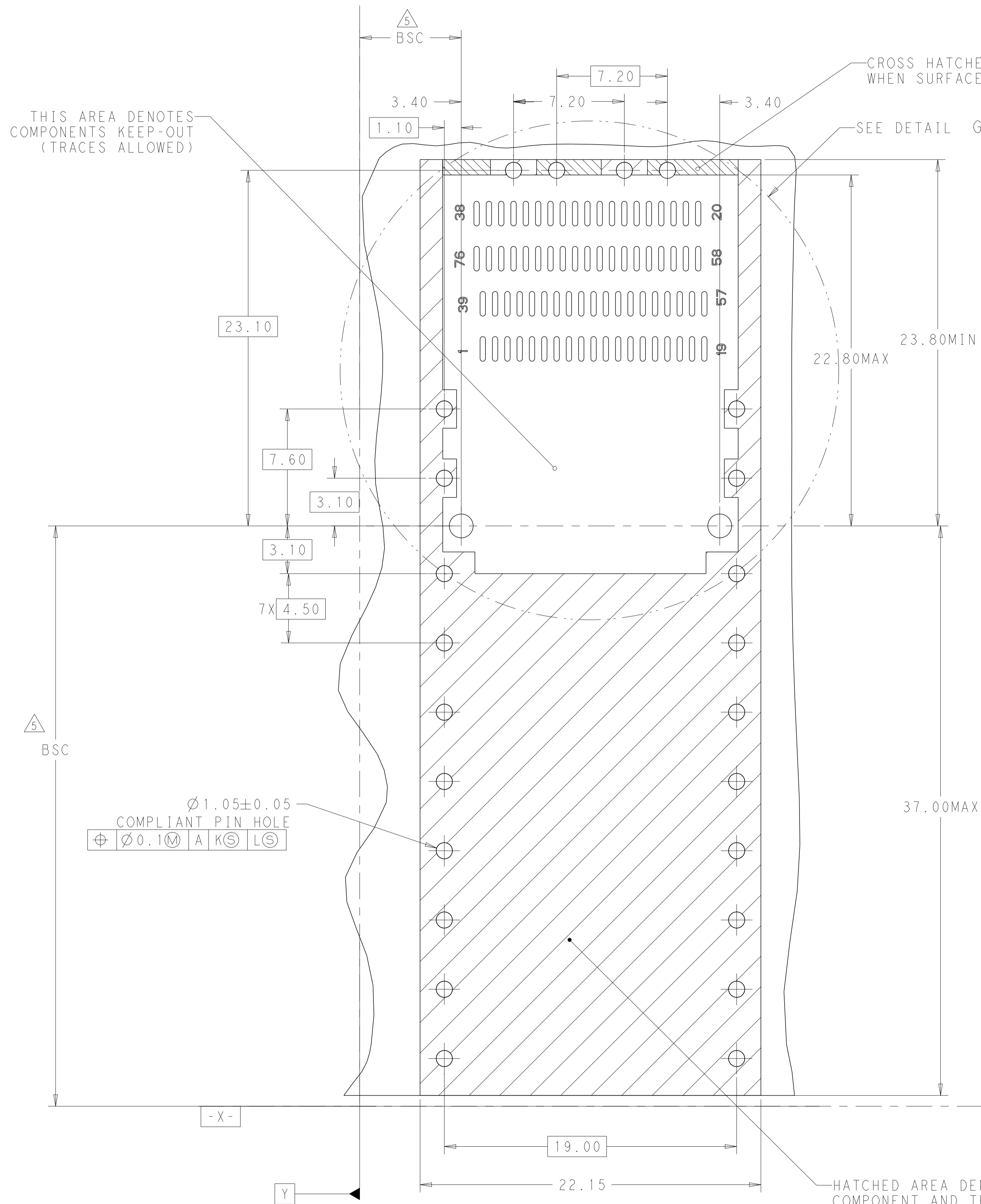


RECOMMENDED PCB LAYOUT
SINGLE TYPE OF 2 REAR HOLES OF LEGS
PCB TOLERANCE: ± 0.05
SCALE 6:1

THIS DRAWING IS A CONTROLLED DOCUMENT.		OWN: ARTHUR JIH 29AUG2018	TE Connectivity
DIMENSIONS: mm		CHK: SEAN HAN 29AUG2018	
TOLERANCES UNLESS OTHERWISE SPECIFIED:		APPV: SEAN HAN 29AUG2018	NAME: CAGE ASSEMBLY, QSFP-DD STANDARD WITH EMI SPRING FINGER
		PRODUCT SPEC: 108-60122	SIZE: A1
MATERIAL: .		APPLICATION SPEC: 114-60025	CAGE CODE: -
FINISH: .		WEIGHT: .	DRAWING NO: C=2342933
CUSTOMER DRAWING		SCALE: 2:1	SHEET 10 OF 11

LOC		DIST		REVISIONS			
P	LTN	DESCRIPTION	DATE	DMN	APVD		
-	-	SEE SHEET 1	-	-	-		

NOTES: RECOMMENDED PCB LAYOUT FOR 112G



RECOMMENDED PCB LAYOUT
BELLY TO BELLY TYPE OF 2 REAR HOLES OF LEGS
PCB TOLERANCE: ± 0.05
SCALE 6:1

THIS DRAWING IS A CONTROLLED DOCUMENT.		DMN: ARTHUR JLN 29AUG2018	TE Connectivity
DIMENSIONS: mm		CHK: SEAN HAN 29AUG2018	
TOLERANCES UNLESS OTHERWISE SPECIFIED:		APVD: SEAN HAN 29AUG2018	NAME: CAGE ASSEMBLY, QSPF-DD STANDARD WITH EMI SPRING FINGER
0 PLC ± 0.25		PRODUCT SPEC: 108-60122	
1 PLC ± 0.25		APPLICATION SPEC: 114-60025	SIZE: A1 CAGE CODE: - DRAWING NO: C=2342933 RESTRICTED TO: -
2 PLC ± 0.20		WEIGHT: -	
3 PLC ± 0.10		MATERIAL: -	SCALE: 2:1 SHEET: 11 OF 11 REV: B1
4 PLC ± 0.10		FINISH: -	
ANGLES: \pm		CUSTOMER DRAWING	