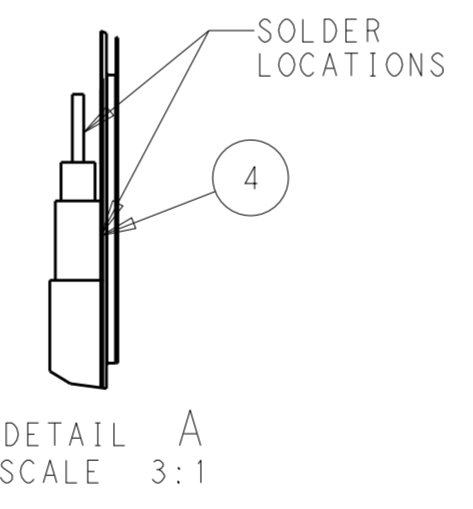
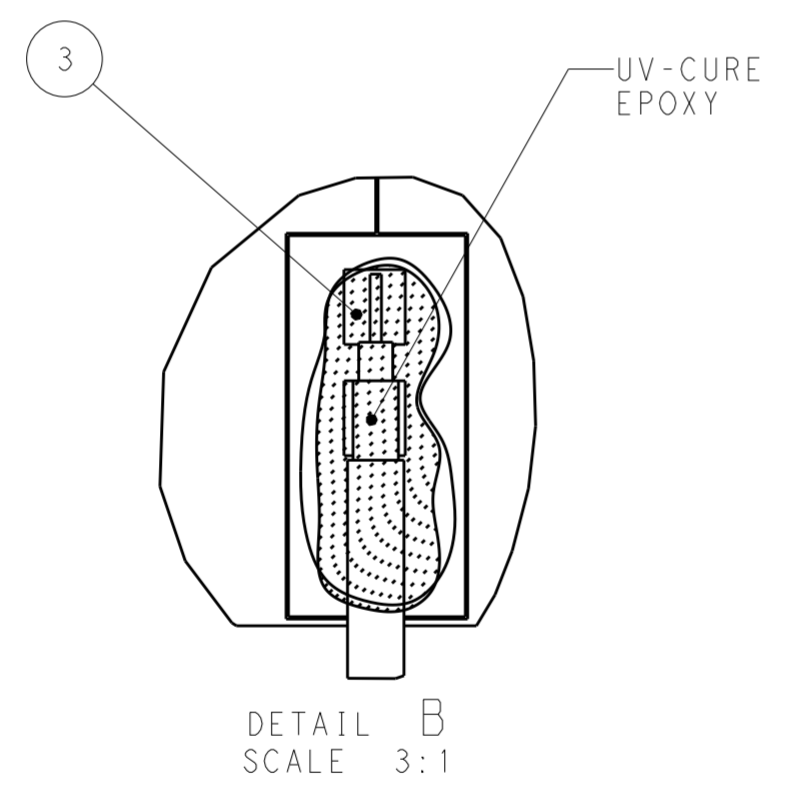
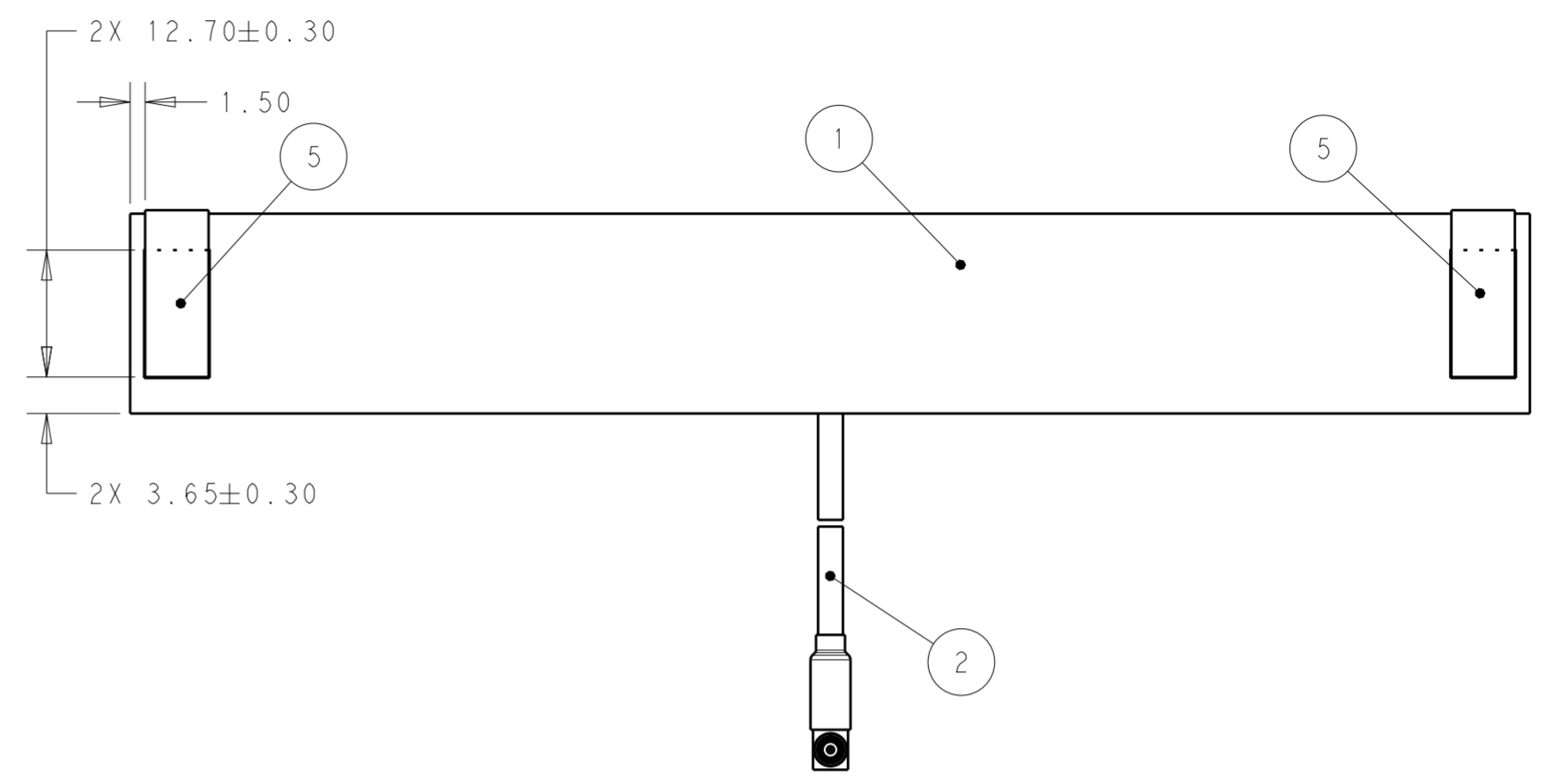
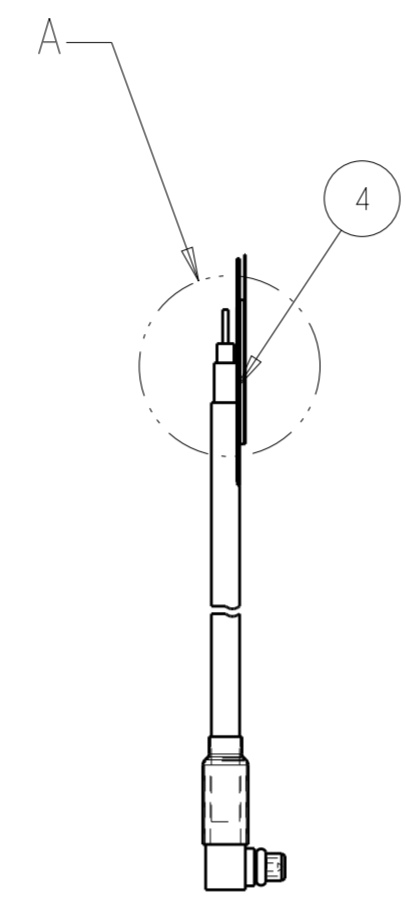
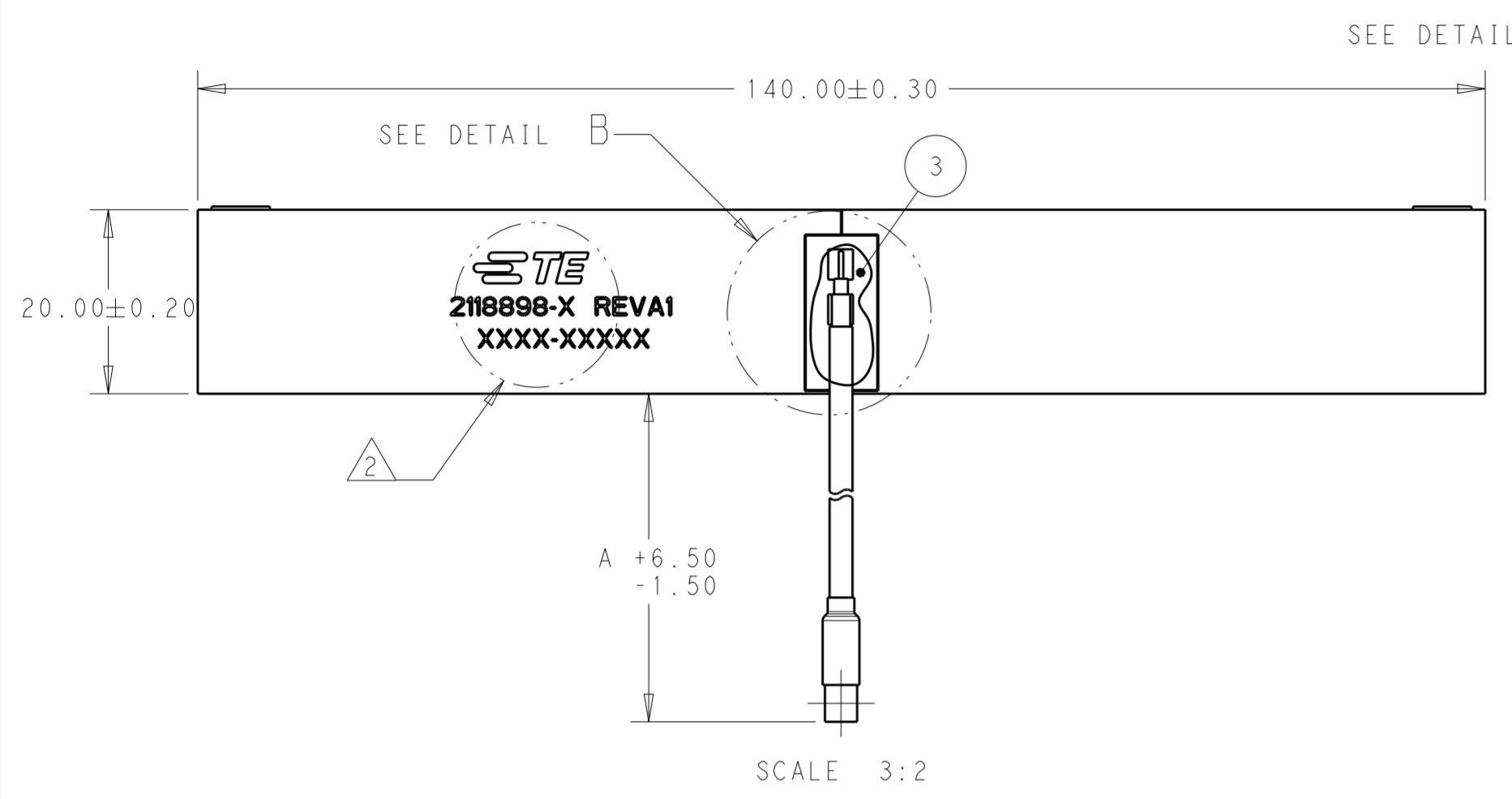


THIS DRAWING IS UNPUBLISHED. RELEASED FOR PUBLICATION
 © COPYRIGHT copyright.dBTe- ALL RIGHTS RESERVED.

REVISIONS					
P	LTR	DESCRIPTION	DATE	DWN	APVD
A		PRODUCTION RELEASE	09JAN2019	CR	CR
A1		REVISED PER ECO-19-018445.	04DEC2019	SJ	JH
A2		REVISED PER ECO-20-009959	16JUL2020	SJ	JH



NOTES:

- FABRICATED TO MEET IPC - 6012, CLASS 2. INSPECTED TO MEET IPC - A - 600, CLASS 2.
- MINIMUM IDENTIFICATION INCLUDES: TE LOGO; TE ASSEMBLY PART NUMBER, REVISION, FOUR DIGIT DATE CODE (FIRST 2 DIGITS FOR THE WEEK AND 2 DIGITS FOR THE YEAR)
- MATERIALS: REFER TO TABLE
- MAY BE REPLACED WITH COMMERCIAL PARTS IF THE ALTERNATIVE PRODUCT MEETS OR EXCEEDS THE EQUIVALENT SPECIFICATIONS AND APPROVAL BY TE ENGINEERING.
- PACKING: SINGULATED PARTS TO BE SECURELY SHRINK WRAPPED, VACUUM PACKED OR BAGS PACKAGED IN BULK.

ITEM NO	DESCRIPTION	QTY	QTY
5	3M4926 VHB TAPE GRAY OR 3M4920 VHB TAPE WHITE	2	2
4	SOLDER WIRE	1	1
3	LETBOND HV054-1 UV CURING ADHESIVE	1	1
2	C/A, MMCX WITH RG178 CABLE "A": 255.0	1	-
2	C/A, MMCX WITH RG178 CABLE "A": 185.0	-	1
1	PC BOARD	1	1

THIS DRAWING IS A CONTROLLED DOCUMENT.		DWN C. REGUS 21AUG2018	TE Connectivity	
DIMENSIONS: mm		CHK C. REGUS 21AUG2018		
TOLERANCES UNLESS OTHERWISE SPECIFIED:		APVD J. MOORE 21AUG2018		
0 PLC	±	PRODUCT SPEC	NAME ISM ANTENNA 915MHZ AND 2.4GHZ	
1 PLC	±0.5	APPLICATION SPEC	SIZE CAGE CODE DRAWING NO RESTRICTED TO	
2 PLC	±0.13	WEIGHT	A200779 C-2118898	
3 PLC	±0.013	CUSTOMER DRAWING	SCALE 1:1 SHEET 1 OF 1 REV A2	
4 PLC	±0.0001			
ANGLES	±			
FINISH	-			
finish_spec_2				