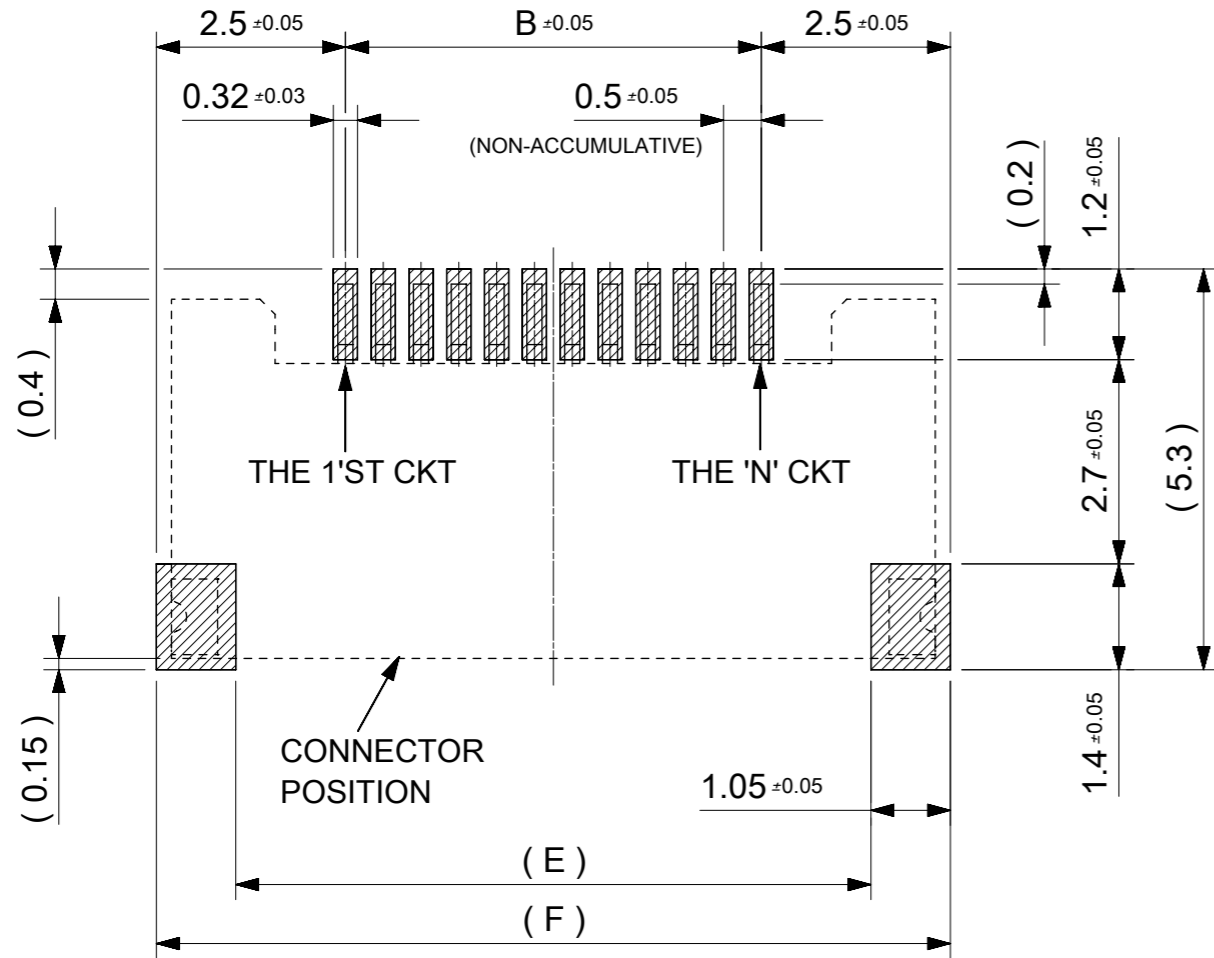


NOTES

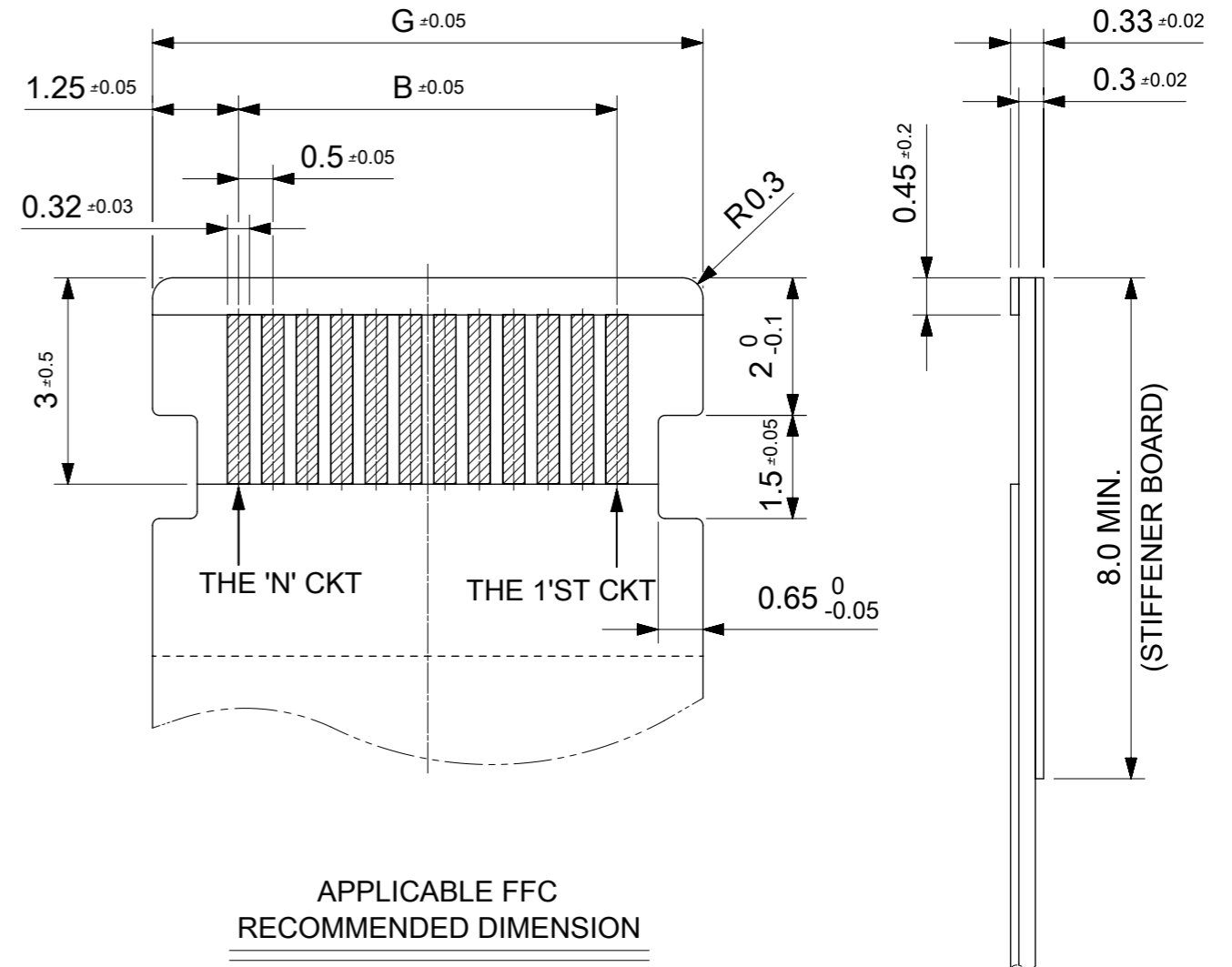
- MATERIAL**
 HOUSING: LCP
 ACTUATOR: GLASS FILLED, UL94V-0(NATURAL) PPS
 TERMINAL: GLASS FILLLED, UL94V-0(BLACK) PHOSPHOR BRONZE
 FITTING NAIL: PHOSPHOR BRONZE
- PLATING**
 TERMINAL: SELECTIVE GOLD[Au] OVER NICKEL[Ni] PLATING.
 CONTACT AREA: GOLD[Au] 0.1 MICROMETER MIN. OVER NICKEL[Ni] 1.0~4.0 MICROMETER.(UNDER PLATING)
 SOLDER AREA: GOLD[Au] 0.05 MICROMETER MIN. OVER NICKEL[Ni] 1.0~4.0 MICROMETER.(UNDER PLATING)
 FITTING NAIL: TIN[Sn] OVER NICKEL[Ni] PLATING.
 SOLDER AREA: Tin[Sn] 2.5 MICROMETER MIN.
 OTHER AREA: Tin[Sn] 1.0 MICROMETER MIN. NICKEL[Ni] 1.0~4.0 MICROMETER (UNDER PLATING)
- PRODUCT SPECIFICATION**: 2024970120 (PS)
PACKING SPECIFICATION: 2024970120 (SPK)
- ACTUATOR IS CLOSED IN THE EMBOSSED PACKING
- COPLANARITY IS 0.1MAX.

| | | | | | |
|---------|---|-------|-------------------|----------------|---|
| SYMBOLS | THIS DRAWING CONTAINS INFORMATION THAT IS PROPRIETARY TO MOLEX ELECTRONIC TECHNOLOGIES, LLC AND SHOULD NOT BE USED WITHOUT WRITTEN PERMISSION | | CURRENT REV DESC: | | molex |
| | DIMENSION UNITS | SCALE | | | |
| ▽ = 0 | mm | 10:1 | | | 0.5MM FFC CONNECTOR BACKFLIP ASS'Y H=2.0 |
| ▽ = 0 | GENERAL TOLERANCES (UNLESS SPECIFIED) | | | | |
| ▽ = 0 | ANGULAR TOL ± 1.0° | | | | PRODUCT CUSTOMER DRAWING |
| ▽ = 0 | 4 PLACES ± | | EC NO: 174471 | | |
| ▽ = 0 | 3 PLACES ± | | DRWN: KYHWANG | 2018/04/02 | DOCUMENT NUMBER: 2024970120 |
| ▽ = 0 | 2 PLACES ± 0.05 | | CHK'D: YSKIM04 | 2018/04/09 | |
| ▽ = 0 | 1 PLACE ± 0.1 | | APPR: YSKIM04 | 2018/04/09 | DOC PART: 001 |
| ▽ = 0 | 0 PLACES ± 0.15 | | INITIAL REVISION: | | |
| ■ = 0 | DRAFT WHERE APPLICABLE MUST REMAIN WITHIN DIMENSIONS | | DRWN: KYHWANG | 2018/04/02 | SHEET NUMBER: 1 OF 3 |
| ▽ = 0 | THIRD ANGLE PROJECTION | | APPR: YSKIM04 | 2018/04/09 | |
| | | | DRAWING: A3-SIZE | SERIES: 202497 | MATERIAL NUMBER: SEE TABLE |
| | | | | | CUSTOMER: GENERAL |

| | | | | | | | | |
|------|-----|------|------|-----|------|-----|------------|---------|
| 11.2 | 6.5 | 9.05 | 9.88 | 9.4 | 11.5 | 9.0 | 2024970140 | 14 |
| 10.2 | 5.5 | 8.05 | 8.88 | 8.4 | 10.5 | 8.0 | 2024970120 | 12 |
| A | B | C | D | E | F | G | ORDER NO. | CIRCUIT |



PCB BOARD PATTERN
DIMENSION (REF.)
(MOUNTING SIDE)



APPLICABLE FFC
RECOMMENDED DIMENSION

| SYMBOLS | | THIS DRAWING CONTAINS INFORMATION THAT IS PROPRIETARY TO MOLEX ELECTRONIC TECHNOLOGIES, LLC AND SHOULD NOT BE USED WITHOUT WRITTEN PERMISSION | |
|-----------------|--|---|---|
| DIMENSION UNITS | SCALE | CURRENT REV DESC: | |
| ▽ = 0 | mm | 10:1 | molex 0.5MM FFC CONNECTOR BACKFLIP ASS'Y H=2.0 PRODUCT CUSTOMER DRAWING |
| ▽ = 0 | GENERAL TOLERANCES (UNLESS SPECIFIED) | | |
| ▽ = 0 | ANGULAR TOL ± 1.0° | | |
| ▽ = 0 | 4 PLACES | ± | |
| ▽ = 0 | 3 PLACES | ± | |
| ▽ = 0 | 2 PLACES | ± 0.05 | EC NO: 174471 DRWN: KYHWANG 2018/04/02 CHK'D: YSKIM04 2018/04/09 APPR: YSKIM04 2018/04/09 |
| ▽ = 0 | 1 PLACE | ± 0.1 | INITIAL REVISION: DRWN: KYHWANG 2018/04/02 APPR: YSKIM04 2018/04/09 |
| ▽ = 0 | 0 PLACES | ± 0.15 | DOCUMENT NUMBER: 2024970120 DOC TYPE: PSD DOC PART: 001 REVISION: A1 |
| ■ = 0 | DRAFT WHERE APPLICABLE MUST REMAIN WITHIN DIMENSIONS | | THIRD ANGLE PROJECTION DRAWING: A3-SIZE SERIES: 202497 MATERIAL NUMBER: SEE SHEET 1 CUSTOMER: GENERAL SHEET NUMBER: 2 OF 3 |

