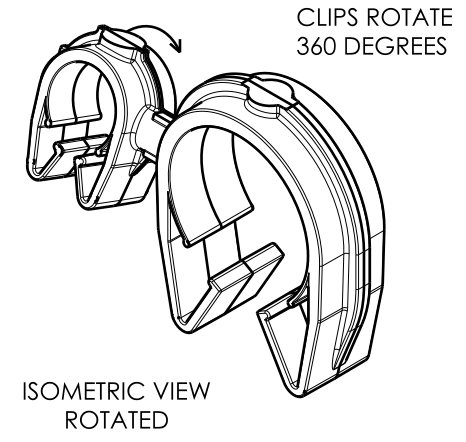
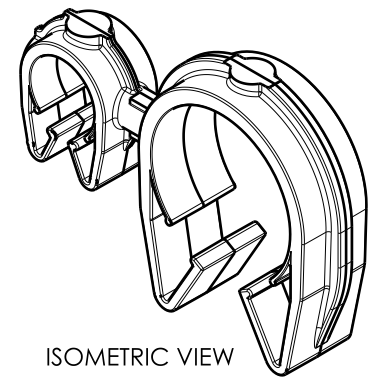
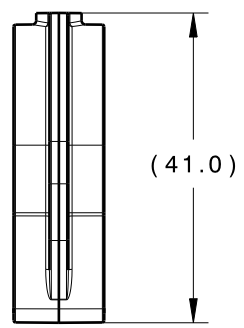
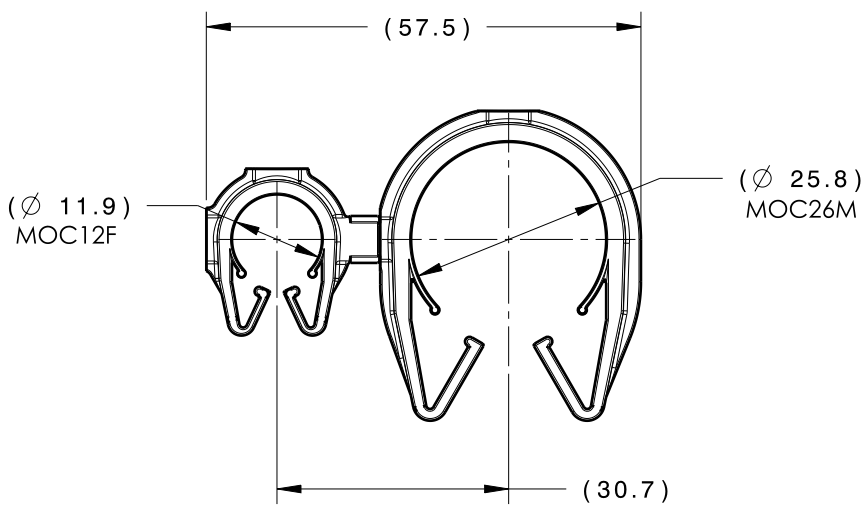
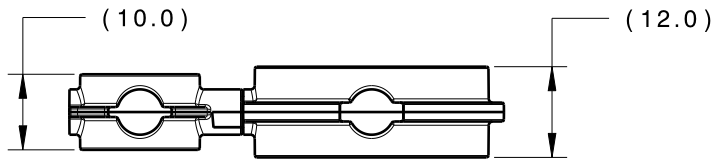



Revision Level			Revision Record	Changed	Date	Approved	Date
Drawing	State	Part					
01.2	DESIGN RELEASE		SEE ECN# 014409	FDS	04/23/18	EJH	04/23/18



TYPE	MOC12F	MOC26M
HARNESS	11.5MM-13.0MM	23.0MM-28.5MM
HOSE	10.5MM-13.0MM	23.0MM-28.5MM
HARD PIPE/TUBE	12.0MM-13.8MM	25.9MM-29.0MM

\*RECOMMENDED SIZES MAY DIFFER DEPENDING ON THE APPLICATION, PRODUCT REQUIREMENTS AND MATERIALS USED

GLOBAL PART DESCRIPTION 	MOC12F			MOC26M		
	DRAWING	MATERIAL	COLOR	DRAWING	MATERIAL	COLOR
MOC12FMOC26M-PA66HIRHS-BK	16-0319-000-CSU	PA66HIRHS	BLACK	16-0325-000-CSU	PA66HIRHS	BLACK

Material <b>SEE CHART</b> COLOR: SEE CHART	Units <b>millimeters</b>  Tolerance defined on each dimension	The copyright of this drawing is reserved by HellermannTyton. It is issued on condition that it is not reproduced, copied or disclosed to a third party, either wholly or in part, without the consent of HellermannTyton.	Drawn <b>TAT</b> <b>2/22/17</b>	Article/Type-No <b>MOC12FMOC26M</b>	Scale <b>1:1</b>
	Approved <b>EJH</b> <b>2/28/17</b>		Title  <b>12MM MOC COUPLED TO A 26MM MOC</b>	Project Number <b>16-0326</b>	
	 North America Email: corp@htamericas.com Web: www.hellermann.tyton.com		Drawing-No <b>16-0326-388-CSU</b> 	PRODUCTION : Phase Format <b>AH</b> Sheet <b>1/1</b>	