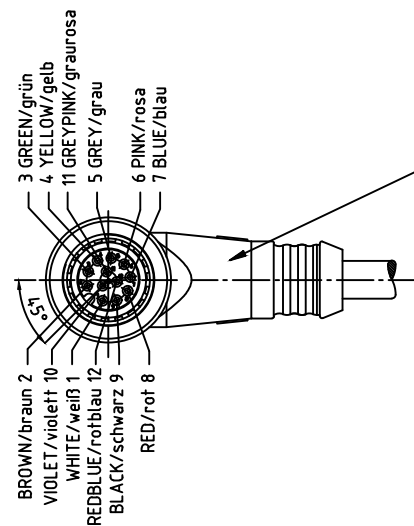
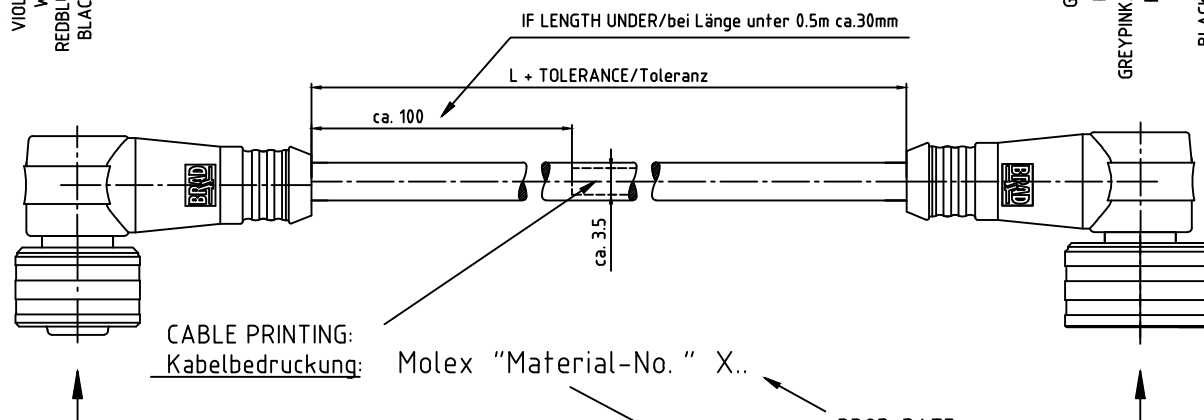
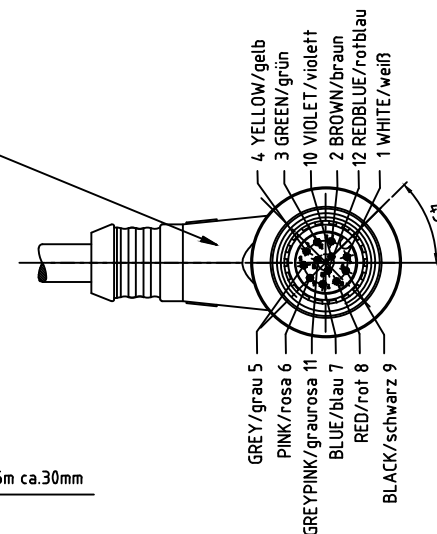


MATING SIDE  
FEMALE CABLE CONNECTOR  
Steckseite  
Kabeldose U-Lock  
12-Pol



OVERMOLD PUR SEE TABLE  
Umspritzung PUR siehe Tabelle

MATING SIDE  
MALE CABLE CONNECTOR  
Steckseite  
Kabelstecker U-Lock  
12-Pol



CABLE PRINTING:  
Kabelbedruckung:

Molex "Material-No." X..

PROD. DATE  
Fertigungsdatum

GENERAL CHARACTERISTICS	Allgemeine Kennwerte	STANDARD Norm	
NUMBER OF CONTACTS CONTACT CONFIGURATION	Polzahl Kontaktanordnung	IEC 947-5-2	12
RATED VOLTAGE	Bemessungsspannung	IEC 664	30V AC / DC
POLLUTION DEGREE	Verschmutzungsgrad	IEC 664	3
CURRENT CARRYING CAPACITY	Betriebsstrom	IEC 512-3 Test 5 b	1,5A
CONTACT RESISTANCE	Durchgangswiderstand	IEC 512-2 Test 2 a	< 5mOhm
RATED IMPULSE WITHSTAND VOLTAGE	Bemessungsstoßspannung	IEC 664	0,8 kV
TEST VOLTAGE	Prüfspannung	IEC 60512-2 Test 4 A	0,5 kV / 60 sec
INSULATION RESISTANCE	Isolationswiderstand	IEC 512-2 Test 3 A	> 10 GOhm
IP DEGREE OF PROTECTION	IP-Schutzart	IEC 529	IP 67
PIN DIAMETER	Stiftdurchmesser		0,6 mm
MATERIALS	Werkstoffe		
CONTACTS	Kontakte		COPPER ALLOY / Kupferlegierung
CONTACTS PLATING	Kontaktoberfläche		Au/Ni
DIELECTRIC MATERIAL	Kontaktträger		PUR
HOUSING (OVERMOLD)	Gehäuse (Umspritzung)		PUR
GASKETS (O-RING)	Dichtung (O-Ring)		VITON
PUSH SLEEVE	Schiebehülse		CuZn (BRASS) WITH/mit NICKEL PLATED / Ni-Oberfläche
TERMINATION	Anschlussart		CRIMP
FLAMM- ABILITY	INSERTS	UL 94	HB
	HOUSING (OVERMOLD)		HB
	CABLE		DIN EN265-2-1/UL1581-VW1-Page 95A
MECHANICAL OPERATION	Mechanische Lebensdauer		100 MATING CYCLES/Steckzyklen
TEMPERATURE RANGE	Temperaturbereich	IEC 60668-1	-25°C / +90°C

PART-NUMBER	ENGINEERING NO.	DESCRIPTION	OVERMOLD COLOR	LENGTH
Teile-Nummer	Engineering Nr.	Beschreibung	Umspritzungsfarbe	Länge L
1200805023	WWC033H45M010	CSE U12 U12 12P AC FE RA PUR MA RA 1M DE UNSH BK	BLACK/schwarz	1000 +20/-10
1200805024	WWC033H45M020	CSE U12 U12 12P AC FE RA PUR MA RA 2M DE UNSH BK	BLACK/schwarz	2000 ±25
1200805026	WWC033H45M040	CSE U12 U12 12P AC FE RA PUR MA RA 4M DE UNSH BK	BLACK/schwarz	4000 ±25
1200805027	WWC033H45M050	CSE U12 U12 12P AC FE RA PUR MA RA 5M DE UNSH BK	BLACK/schwarz	5000 ±25

(...) DIM. FOR INFORMATION  
(...) Informationsmaß

FUNCTIONAL SYMBOLS FA=0 FB=0 FP=0	THIS DRAWING CONTAINS INFORMATION THAT IS PROPRIETARY TO MOLEX ELECTRONIC TECHNOLOGIES, LLC AND SHOULD NOT BE USED WITHOUT WRITTEN PERMISSION																			
	DIMENSION UNITS	SCALE			CURRENT REV DESC: OBSOLETE PART NUMBERS AS PER PCN#506884															
	GENERAL TOLERANCES (UNLESS SPECIFIED)		EC NO: 662770	CSE U12 U12 12P AC FE RA PUR MA RA XM DE UNSH BK																
	<table border="1"> <thead> <tr> <th></th> <th>mm</th> <th>INCH</th> </tr> </thead> <tbody> <tr> <td>4 PLACES</td> <td>±----</td> <td>±----</td> </tr> <tr> <td>3 PLACES</td> <td>±----</td> <td>±----</td> </tr> <tr> <td>2 PLACES</td> <td>±0.05</td> <td>±----</td> </tr> <tr> <td>1 PLACE</td> <td>±0.3</td> <td>±----</td> </tr> <tr> <td>0 PLACES</td> <td>±0.5</td> <td>±----</td> </tr> </tbody> </table>				mm	INCH	4 PLACES	±----	±----	3 PLACES	±----	±----	2 PLACES	±0.05	±----	1 PLACE	±0.3	±----	0 PLACES	±0.5
	mm	INCH																		
4 PLACES	±----	±----																		
3 PLACES	±----	±----																		
2 PLACES	±0.05	±----																		
1 PLACE	±0.3	±----																		
0 PLACES	±0.5	±----																		
DIVISIONAL SYMBOLS	DRAFT WHERE APPLICABLE MUST REMAIN WITHIN DIMENSIONS		DRWN: LSTEMMLE 2009/03/24 APPR: REISSNER 2009/03/25	PRODUCT CUSTOMER DRAWING DOCUMENT NUMBER: SD-120080-004 DOC TYPE: PSD DOC PART: 001 REVISION: A																
THIRD ANGLE PROJECTION 		DRAWING: A3-SIZE	SERIES: 120080	MATERIAL NUMBER: GENERAL MARKET CUSTOMER: SEE TABLE SHEET NUMBER:																