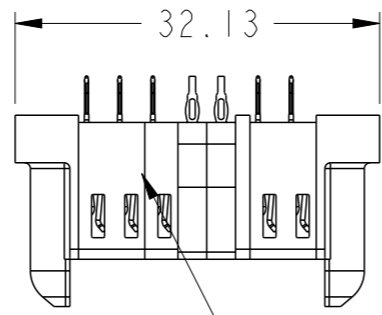
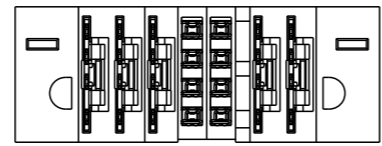
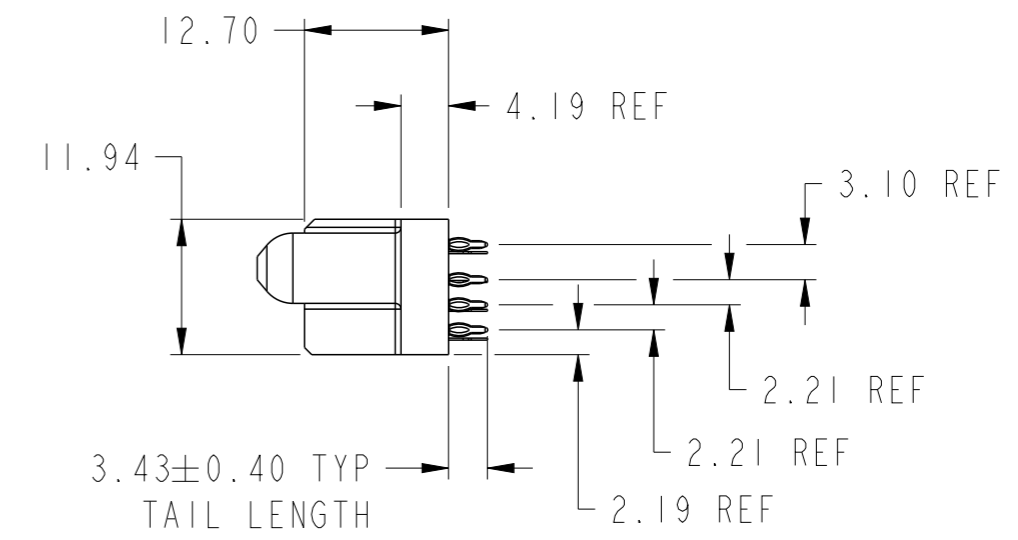
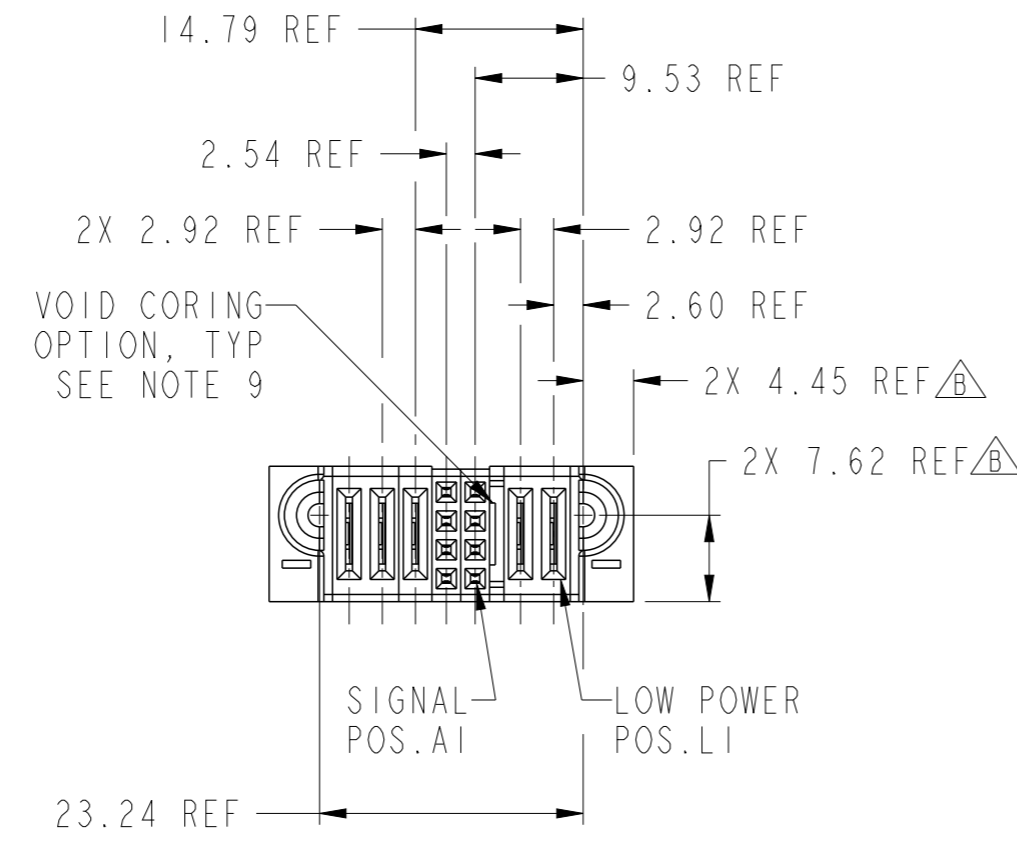


PART NUMBER 10106269-0502001LF



NOTE 1



Copyright FCI.

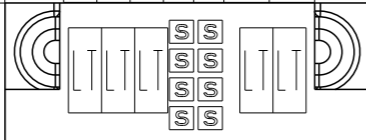
spec ref	-	dr	Helen Zhang	2011/06/22	projection	mm	size	A3	scale	3:2	
tolerance std	ISO 406 ISO 1101	eng	Peng-Bing Fu	2012/11/13		← →	ecn no	ELX-DG-013146-1			
TOLERANCES UNLESS OTHERWISE SPECIFIED		chr	Tian-Xu Huang	2012/11/13			product family	PwrBlade+	rel level	Released	
surface	ISO 1302	appr	Pei-Ming Zheng	2012/11/13	2LP + 8S + 3LP VERTICAL PF RECEPTACLE		dwg no	10106269-0502001		rev	B
					www.fci.com	cat. no.	-	Product - Customer Drw	sheet 1 of 3		

PRODUCT NUMBER

ROWS

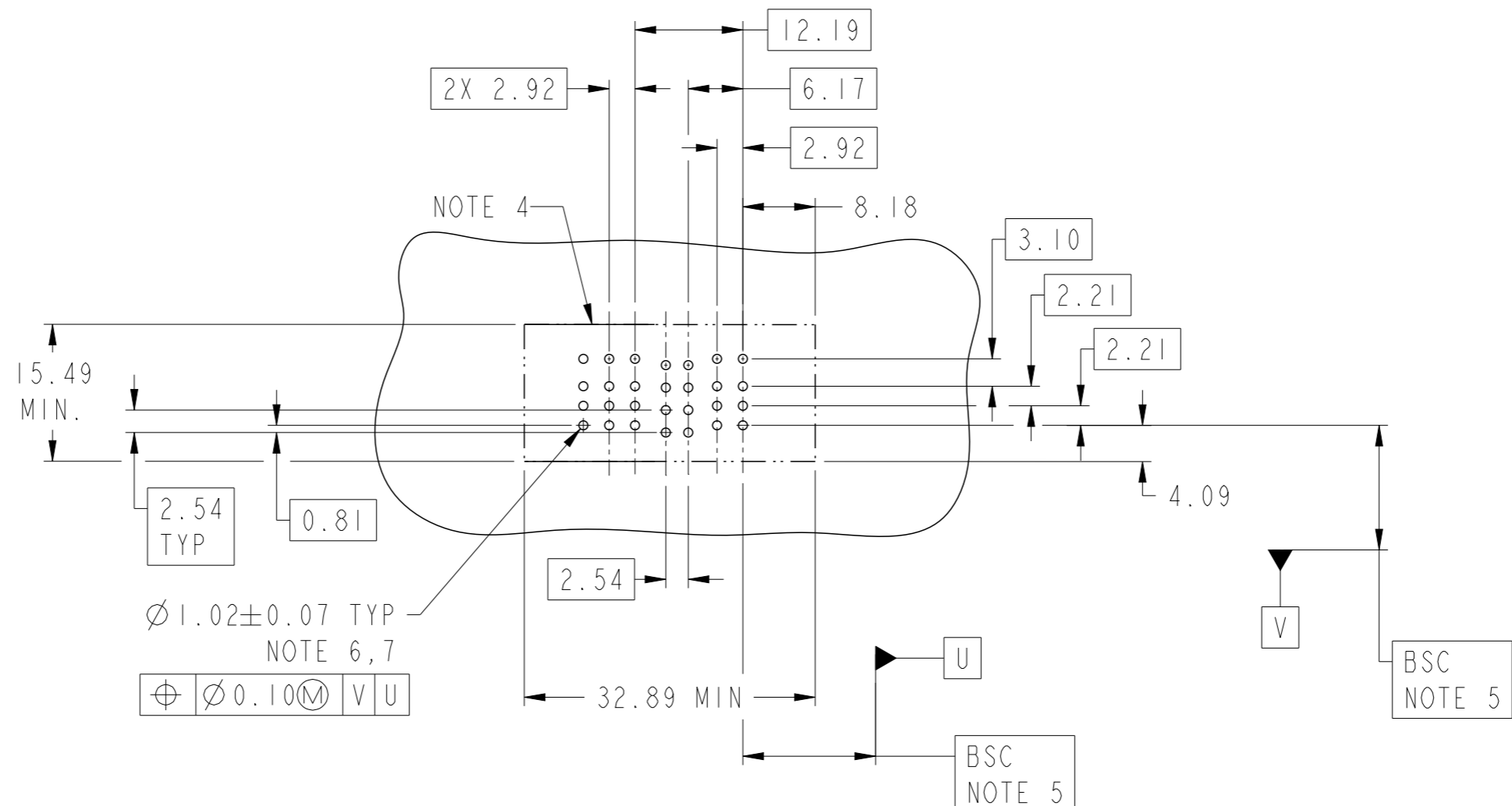
POWER	SIGNAL	POWER
L5 L4 L3	2 1	L2 L1

D
C
B
A



10106269-0502001LF

CODE	DESCRIPTION
LT	STD LOW POWER CONTACT
S	STD SIGNAL CONTACT



Ø 1.02 ± 0.07 TYP
NOTE 6, 7

⊕	⊕ 0.10 (M)	V	U
---	------------	---	---

dr	Helen Zhang	2011/06/22	projection 	mm ←→	size	A3	scale	3:2
eng	Peng-Bing Fu	2012/11/13			ecn no	ELX-DG-013146-1		
chr	Tian-Xu Huang	2012/11/13			rel level	Released		
appr	Pei-Ming Zheng	2012/11/13	product family	PwrBlade+				
			title 2LP + 8S + 3LP VERTICAL PF RECEPTACLE		dwg no 10106269-0502001	rev B		
www.fci.com			cat. no.	-	Product - Customer Drw		sheet 2 of 3	



Copyright FCI.

NOTES:

- 1) "FCI", PART NUMBER AND DATE CODE TO BE MARKED ON THIS SURFACE.
THE P/N CAN BE OMITTED IF THERE IS NOT ENOUGH SPACE ON THIS SURFACE.
- 2) MATERIALS:
-HOUSING - GLASS FILLED WITH HIGH TEMP THERMOPLASTIC, UL94V-0.
-SIGNAL CONTACT - COPPER ALLOY.
-POWER CONTACT - HIGH CONDUCTIVITY COPPER ALLOY.
- 3) PLATING SPECIFICATION REFER TO FCI 10116351.
- 4) DENOTES CONNECTOR KEEP OUT ZONE.
- 5) DATUM AND BASIC DIMENSIONS WERE ESTABLISHED BY CUSTOMER.
- 6) ALL HOLE DIAMETERS ARE FINISHED HOLE SIZES.
- 7) 1.15 ± 0.025 MM DRILLED HOLE PLATED WITH 0.00762MM MIN Sn
OVER 0.0254-0.0762MM Cu PLATING TO ACHIEVE A 1.02 ± 0.07 MM HOLE.
- 8) PRODUCT SPECIFICATION REFER TO FCI GS-12-658.
APPLICATION SPECIFICATION REFER TO FCI GS-20-141.
PRODUCT PACKAGED IN TRAYS, REFER TO FCI GS-14-1502.
- 9) THE VOID CORING IN BETWEEN POWER MODULES, SIGNAL
MODULES AND END MODULES ARE OPTIONAL AND THE SHAPE
MAY BE DIFFERENT FOR OPTIMIZE THE MOLDING PROCESS. THE
VOID CORING WILL NOT EFFECT TO PRODUCT FUNCTION.
- 10) A $\triangle B$ SYMBOL WILL BE NEXT TO ANY DIMENSION, VIEW, OR NOTE
WHICH HAS BEEN MODIFIED WITH THE CURRENT DRAWING REVISION.



Copyright FCI.

dr	Helen Zhang	2011/06/22	projection 	mm 	size	A3	scale	3:2	
eng	Peng-Bing Fu	2012/11/13			ecm no	ELX-DG-013146-1			
chr	Tian-Xu Huang	2012/11/13			product family	PwrBlade+	rel level	Released	
appr	Pei-Ming Zheng	2012/11/13					rev	B	
		title 2LP + 8S + 3LP VERTICAL PF RECEPTACLE			dwg no 10106269-0502001				
www.fci.com		cat. no.	-			Product - Customer Drw		sheet 3 of 3	