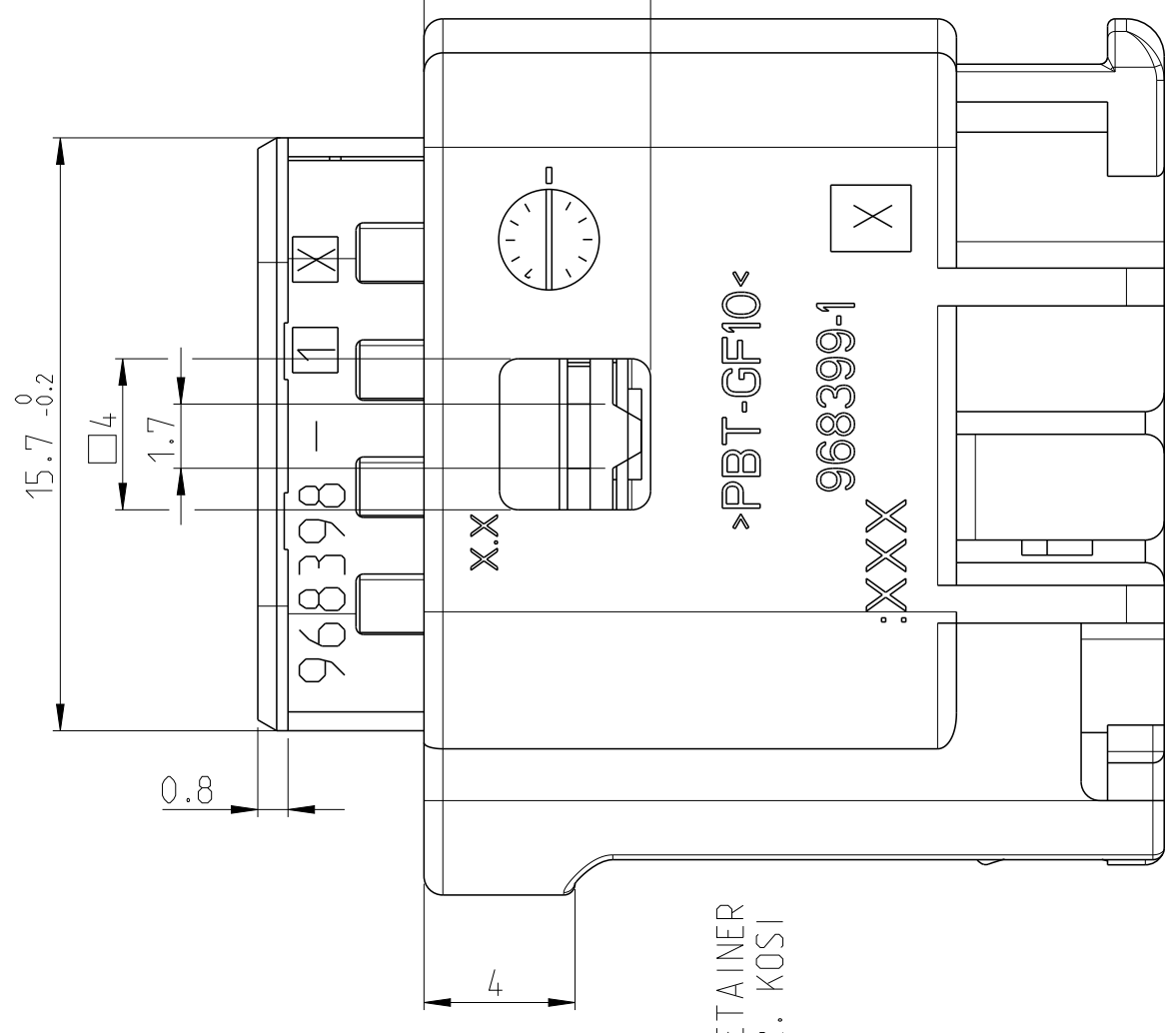
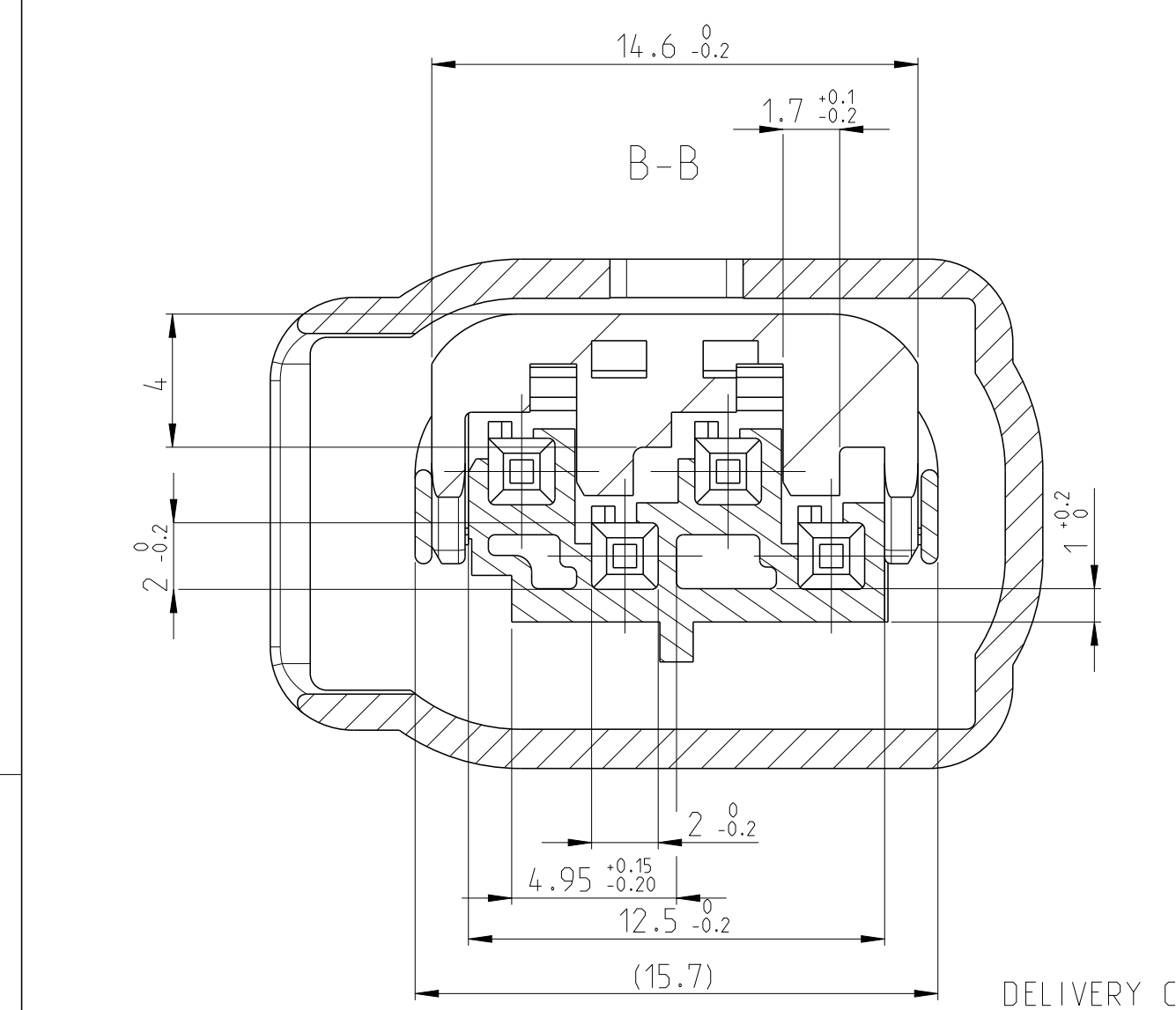
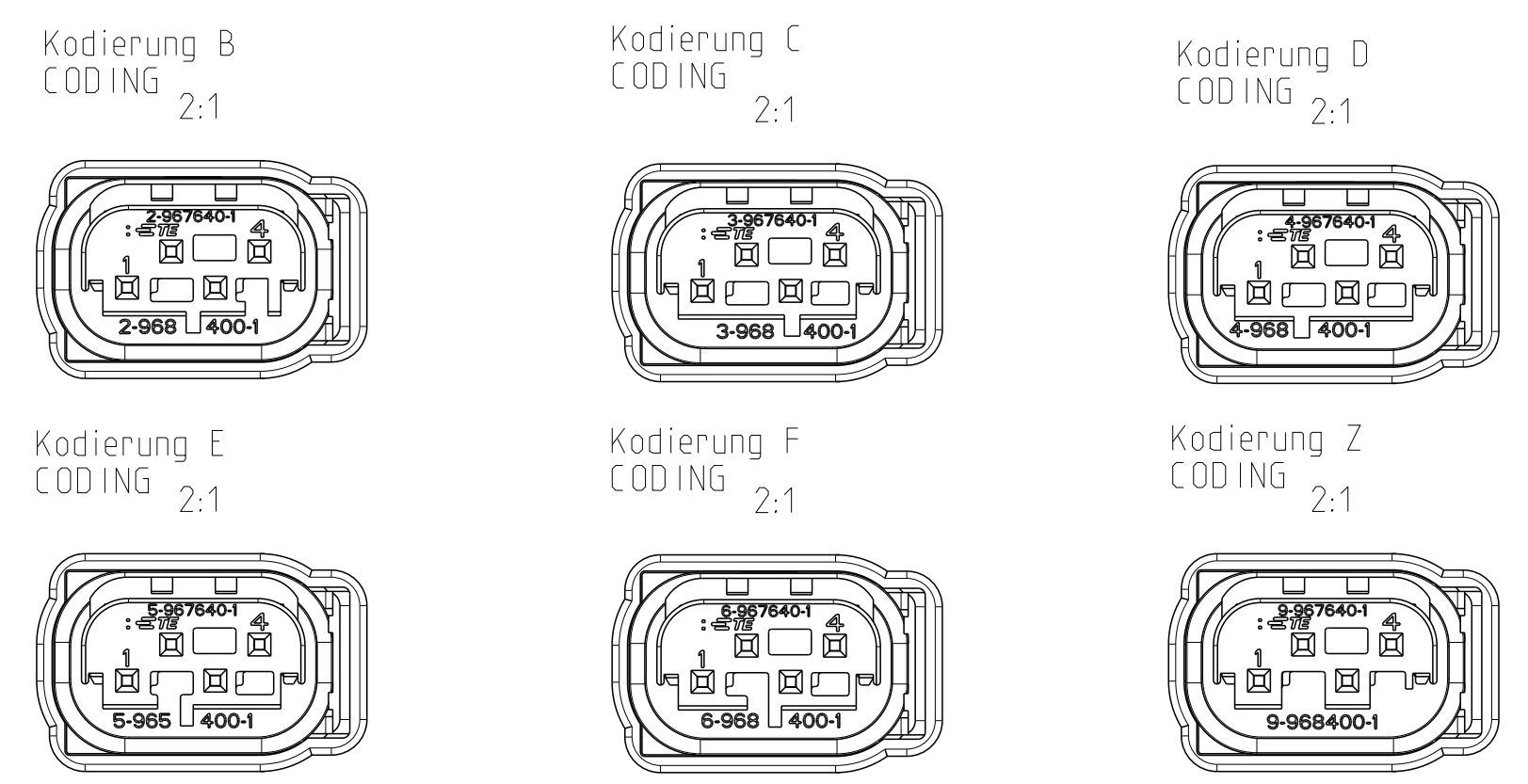
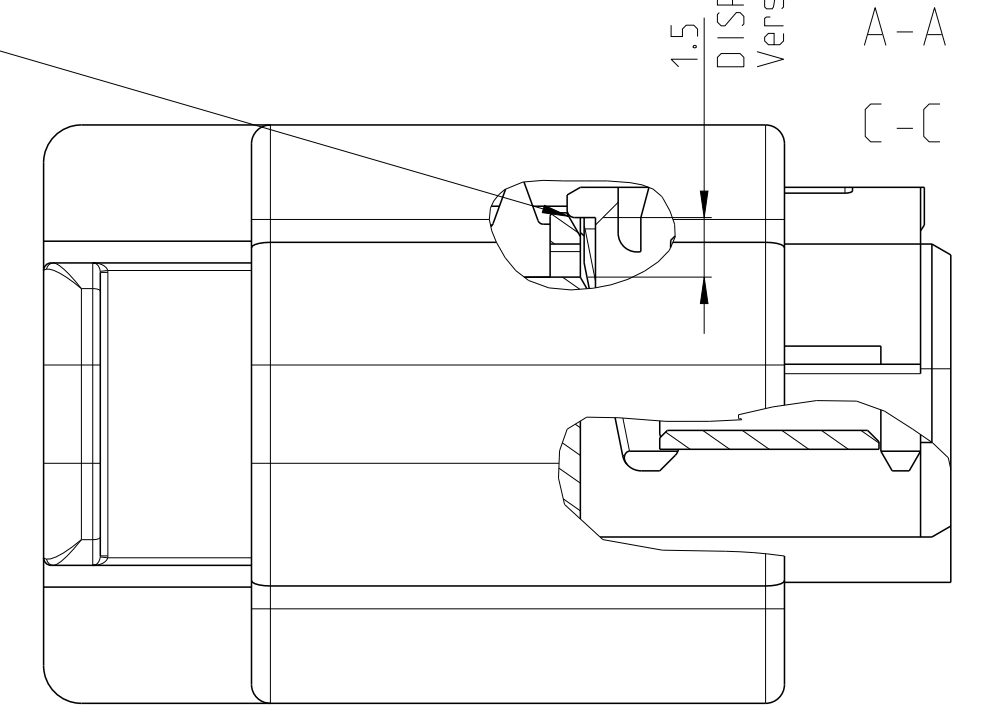
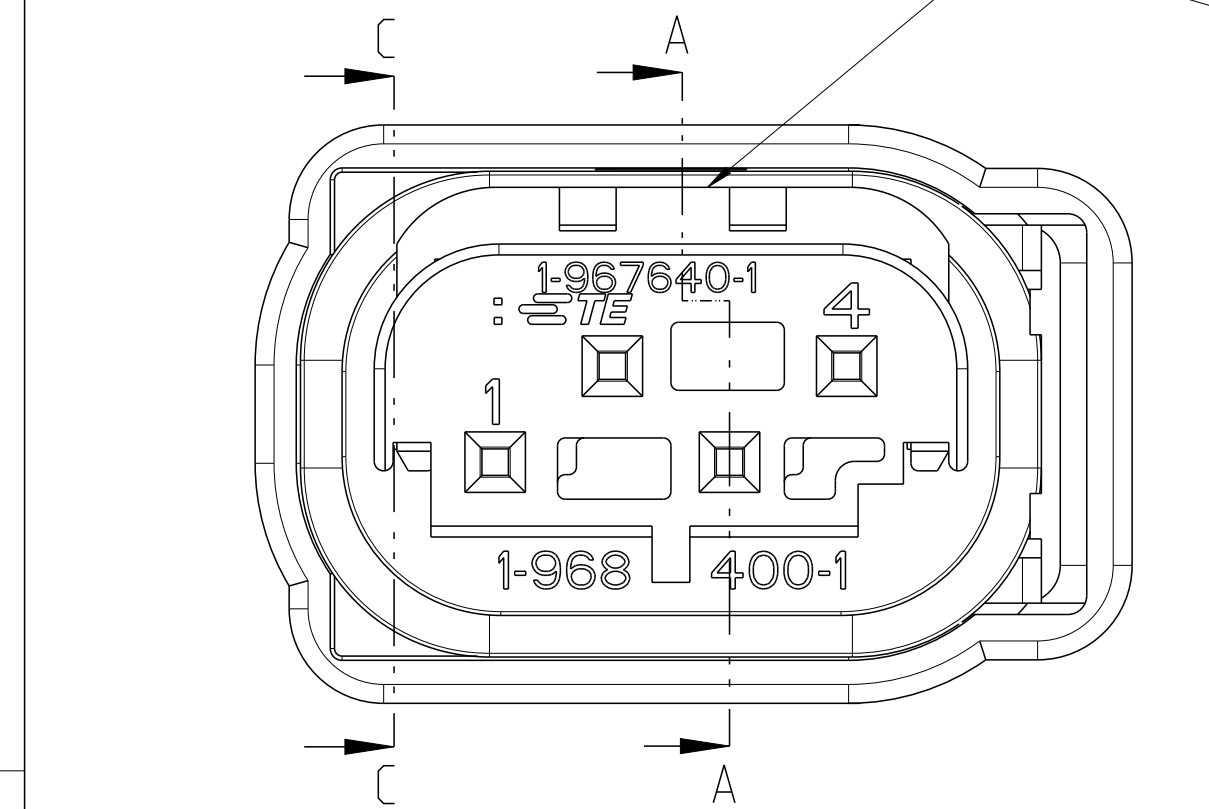


REVISIONS				
P.	LTN.	DESCRIPTION	DATE	OWN APVD
B8	PCN E-14-010853		18 JUL 2014	JOAS GILC
B9	NEW 3 D DRAWING		26 SEP 2018	MAH. GILC
B10	UPDATED NOTE 2		20 SEP 2022	KMD SCK
B11	UPDATED NOTE 2 FOR TYPO CLARRIFICATION		19 JAN 2023	KMD SCK

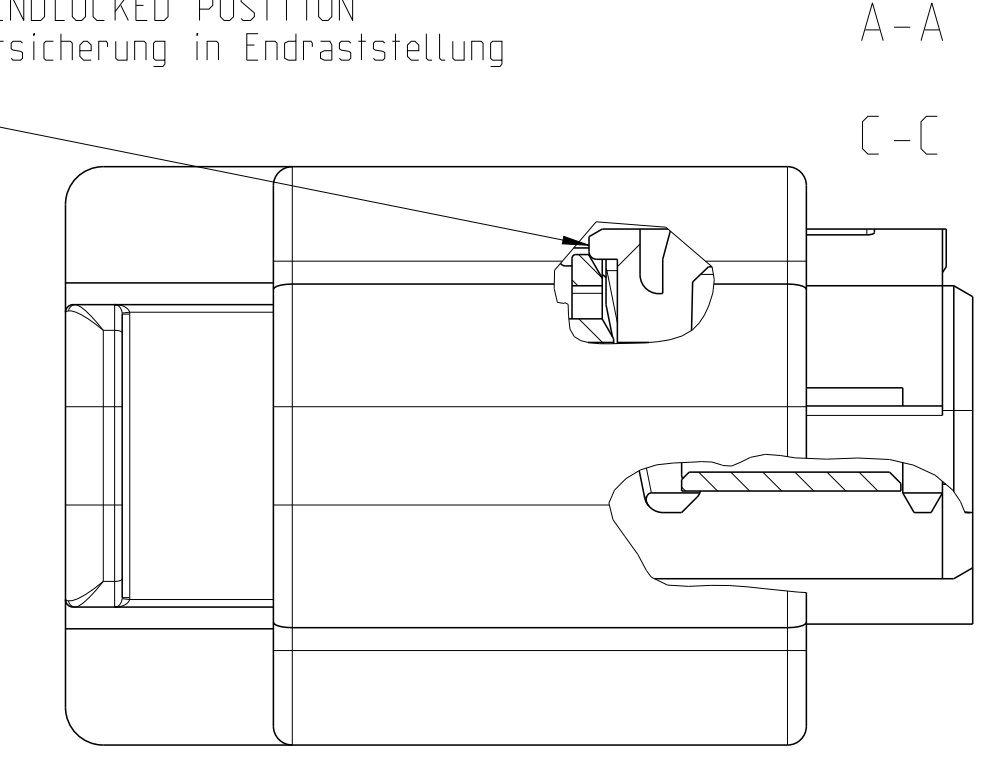
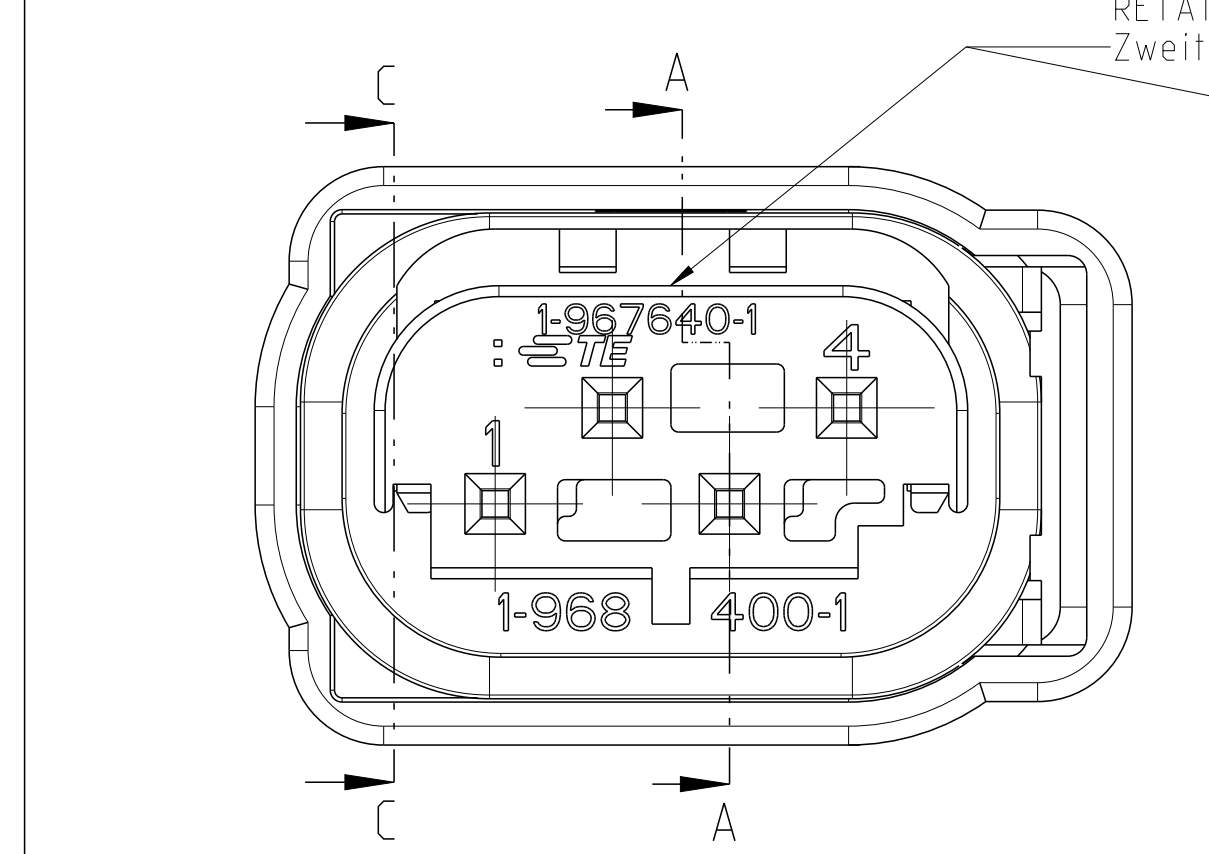


DELIVERY CONDITION
RETAINER IN PRELOCKED POSITION
Lieferzustand
Zweite Kontaktsicherung in Vorraststellung

DISPLACEMENT OF RETAINER
Verschiebeweg der 2. KONT.

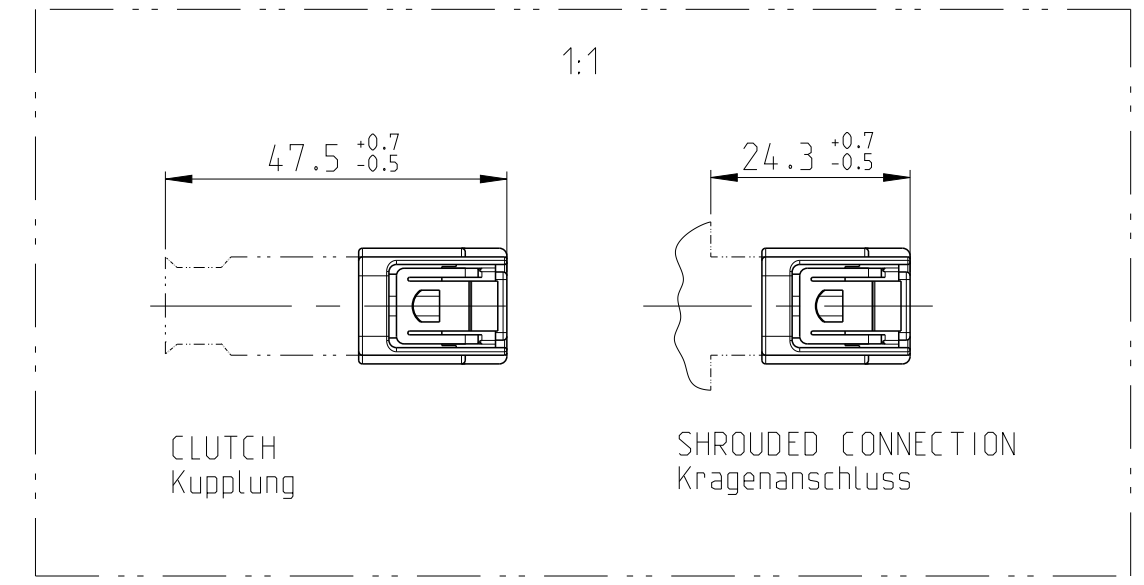


RETAINER IN ENDOCKED POSITION
Zweite Kontaktsicherung in Endraststellung



NOTES
Bemerkungen

- ONLY THE GERMAN LANGUAGE VERSION SHALL BE BINDING
Massgebend ist der deutsche Text
 - SUITABLE FOR SOCKET CONTACT FOR SINGLE WIRE SEALING
TE 962885 (WSR 0.2-0.35mm²), 965906 (WSR 0.75mm²)
Passend zu Buchsenkontakt fuer Einzeleiterdichtungen
TE 962885 (DGB 0.2-0.35mm²), 965906 (DGB 0.75mm²)
 - SUITABLE FOR SHROUDED CONNECTION SEE DRAWING:
TE 114-18063-124.
ALSO COMPATIBLE TE 114-18063-14
Passend zu Kragenanschluss siehe Zeichnung:
TE 114-18063-124.
Auch passend zu TE 114-18063-14
 - SUITABLE FOR WIRE SIZE RANGE TO 0.75mm²
Passend fuer Leitungsquerschnitt bis 0.75mm²
- 5 EXECUTION DEPENDENT ON INJECTION MOLD
Ausfuehrung abhaengig von Spritzgiesswerkzeug



TE ASSY NO.	REV.	CODE	POS.	QTY.	DESCRIPTION	MATERIAL	COLOR
7-967640-3	B	A	4	1	PROTECTIVE COVER / Schutzkappe	PBT-GF10	YELLOW
			3	1	SEALING / Dichtung	LIQUID SILICONE RUBBER MVD 30	NATURAL
			2	1	RETAINER / 2. Kontaktsicherung	PBT-GF15	GREEN
9-967640-1	A	Z	4	1	PROTECTIVE COVER / Schutzkappe	PBT-GF10	BLACK
			3	1	SEALING / Dichtung	LIQUID SILICONE RUBBER MVD 30	NATURAL
			2	1	RETAINER / 2. Kontaktsicherung	PBT-GF15	GREEN
6-967640-1	-	F	4	1	PROTECTIVE COVER / Schutzkappe	PBT-GF10	BLACK
			3	1	SEALING / Dichtung	LIQUID SILICONE RUBBER MVD 30	NATURAL
			2	1	RETAINER / 2. Kontaktsicherung	PBT-GF15	GREEN
5-967640-1	-	E	4	1	PROTECTIVE COVER / Schutzkappe	PBT-GF10	BLACK
			3	1	SEALING / Dichtung	LIQUID SILICONE RUBBER MVD 30	NATURAL
			2	1	RETAINER / 2. Kontaktsicherung	PBT-GF15	GREEN
4-967640-1	-	D	4	1	PROTECTIVE COVER / Schutzkappe	PBT-GF10	BLACK
			3	1	SEALING / Dichtung	LIQUID SILICONE RUBBER MVD 30	NATURAL
			2	1	RETAINER / 2. Kontaktsicherung	PBT-GF15	GREEN
3-967640-1	B	C	4	1	PROTECTIVE COVER / Schutzkappe	PBT-GF10	BLACK
			3	1	SEALING / Dichtung	LIQUID SILICONE RUBBER MVD 30	NATURAL
			2	1	RETAINER / 2. Kontaktsicherung	PBT-GF15	GREEN
2-967640-1	B	B	4	1	PROTECTIVE COVER / Schutzkappe	PBT-GF10	BLACK
			3	1	SEALING / Dichtung	LIQUID SILICONE RUBBER MVD 30	NATURAL
			2	1	RETAINER / 2. Kontaktsicherung	PBT-GF15	GREEN
1-967640-1	B	A	4	1	PROTECTIVE COVER / Schutzkappe	PBT-GF10	BLACK
			3	1	SEALING / Dichtung	LIQUID SILICONE RUBBER MVD 30	NATURAL
			2	1	RETAINER / 2. Kontaktsicherung	PBT-GF15	GREEN
			1	1	SOCKET HSG. / Buchsengehäuse	PBT-GF15	BLACK

THIS DRAWING IS A CONTROLLED DOCUMENT. DIMENSIONS: mm. TOLERANCES UNLESS OTHERWISE SPECIFIED: 0 PLC #, 1 PLC #, 2 PLC #, 3 PLC #, 4 PLC #, ANGLES #°. MATERIAL: SEE TABLE. FINISH: SEE TABLE.

OWN: M. Trajkov, 08AUG1996. CHK: M. Schwaeger, 31AUG1998. APVD: M. Schwaeger.

PRODUCT SPEC: 108-18272-0. APPLICATION SPEC: 114-18061. WEIGHT: -. CUSTOMER DRAWING.

NAME: MQS SOCKET HOUSING, SWS, 4 POS. ASSY. MQS Buchsengehäuse, EDS 4 pol. kompl.

SIZE: A1. CAGE CODE: 00779. DRAWING NO: 967640. RESTRICTED TO: 1 OF 1. SCALE: 5:1. SHEET: 1 OF 1. REV: B11.