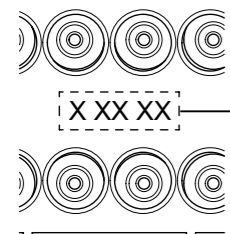
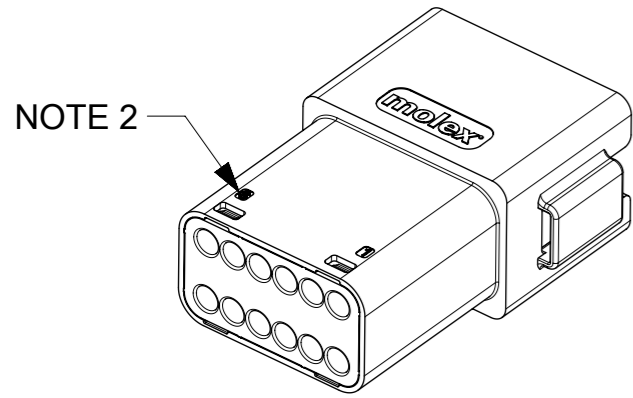


NOTES
 1. SEE SHEETS 2 - 9 FOR UNSPECIFIED NOTES, DIMENSIONS & PART NUMBERS

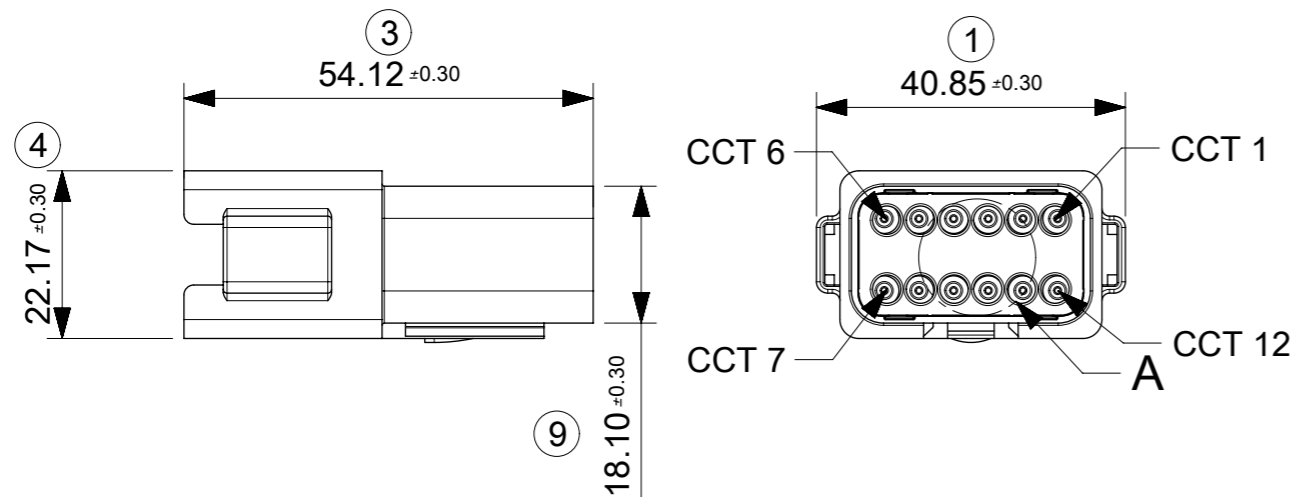
SYMBOLS		THIS DRAWING CONTAINS INFORMATION THAT IS PROPRIETARY TO MOLEX ELECTRONIC TECHNOLOGIES, LLC AND SHOULD NOT BE USED WITHOUT WRITTEN PERMISSION		CURRENT REV DESC: SEE LONG TEXT		molex	
▽ = 0	DIMENSION UNITS	SCALE					
▽ = 0	mm	1.25:1				PRODUCT CUSTOMER DRAWING	
▽ = 0	GENERAL TOLERANCES (UNLESS SPECIFIED)		EC NO: 619923			DOCUMENT NUMBER	
▽ = 0	ANGULAR TOL ± 2.0°		DRWN: JFLETCHER 2019/07/01			934430060	
▽ = 0	4 PLACES ±		CHK'D: IOCONNELL 2019/08/15			DOC TYPE DOC PART REVISION	
▽ = 0	3 PLACES ±		APPR: IOCONNELL 2019/08/16			PSD 000 C3	
▽ = 0	2 PLACES ± 0.1		INITIAL REVISION:			MATERIAL NUMBER	
▽ = 0	1 PLACE ± 0.2		DRWN: JFLETCHER 2015/12/16			CUSTOMER	
▽ = 0	0 PLACES ±		APPR: JDWALLACE 2016/01/14			SEE CHART	
■ = 0	DRAFT WHERE APPLICABLE MUST REMAIN WITHIN DIMENSIONS		THIRD ANGLE PROJECTION		DRAWING	SERIES	SHEET NUMBER
▽ = 0			A3-SIZE		93443	GENERAL MARKET	1 OF 9

12CCT RECEPTACLE CONNECTOR



DETAIL A
SCALE 2:1

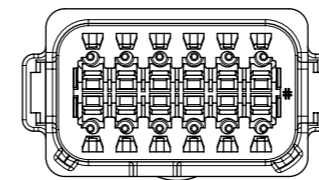
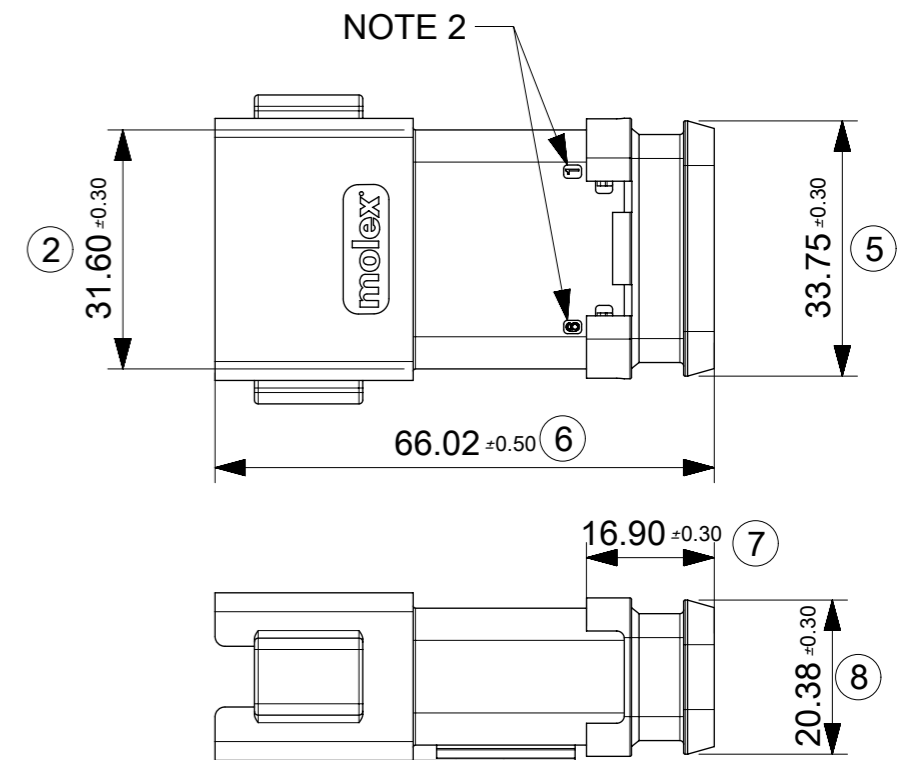
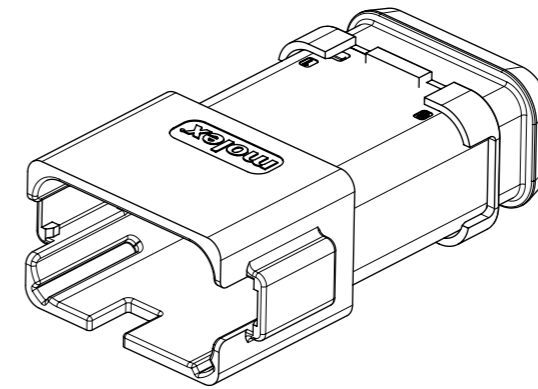
DATE CODE: X XX XX
 X — DAY: 1- 7
 X — WEEK: 01 - 52
 X — YEAR: 00 - 99
 # — MACHINE NO. 1
 EXAMPLE: 11315 = DAY 1, WEEK 13, YEAR 15
 i.e. 23rd OF MARCH 2015



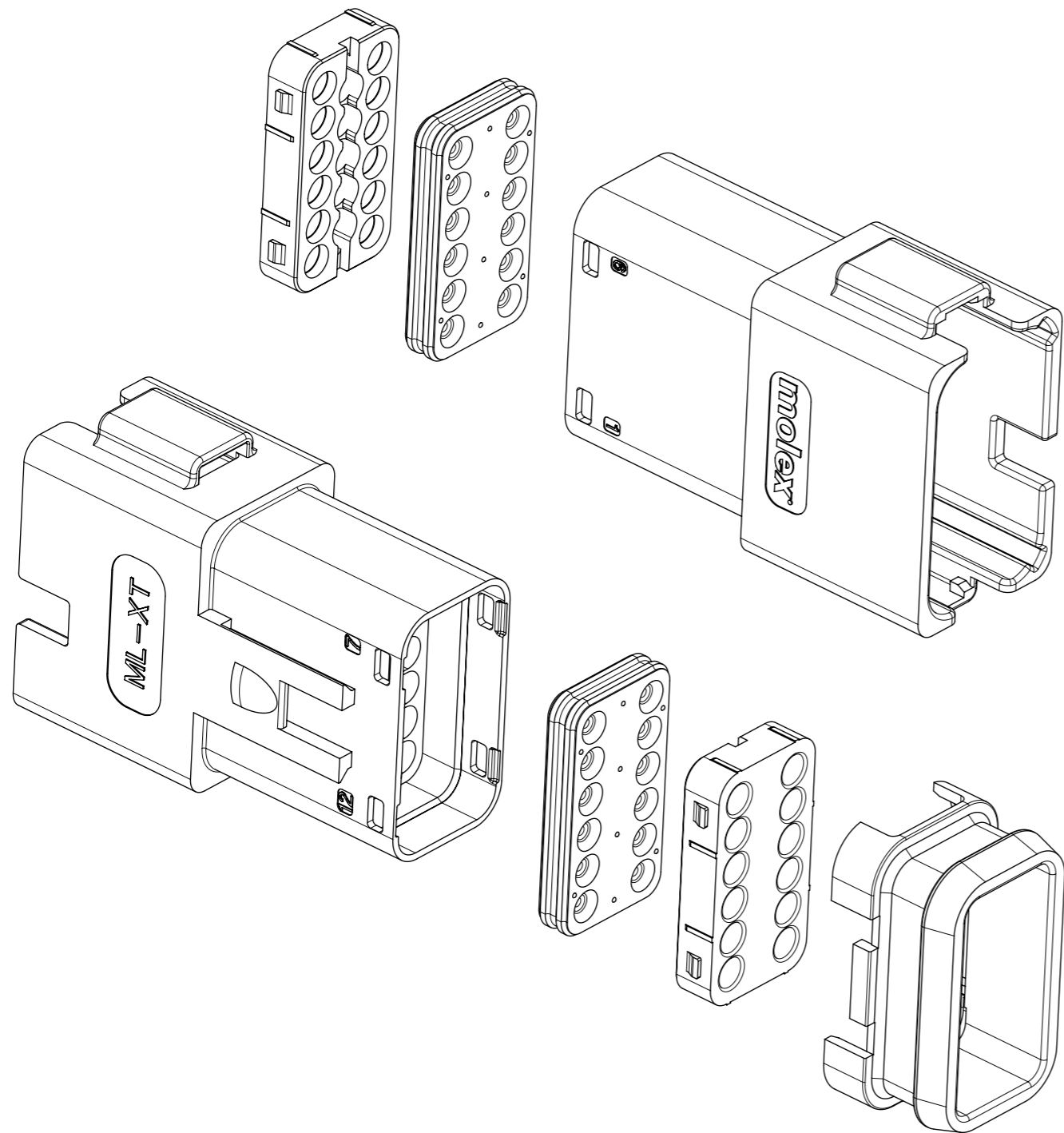
NOTES

- MATERIAL
HOUSING: NYLON 30% GF
BACK SEAL: HIGH CONSISTENCY RUBBER
- CIRCUIT IDENTIFICATION
- JACKET RANGE LARGE = \varnothing 2.23mm TO 3.68mm (SEAL COLOUR: LIGHT BLUE)
JACKET RANGE SMALL = \varnothing 1.20mm TO 3.05mm (SEAL COLOUR: BURNT ORANGE)
- SEE SHEET 3 FOR FINAL PART NUMBER DESIGNATION
- SEE 934430010 PS P FOR PRODUCT SPECIFICATION
- SEE 934430002 PS K FOR PACKAGING SPECIFICATION
- INSPECTION NUMBERS 1-50 RESERVED FOR SHEET 2
LAST INSPECTION NUMBER: 9

12CCT RECEPTACLE CONNECTOR WITH HEATSHRINK HOUSING ULTRASONICALLY WELDED IN PLACE



SYMBOLS	THIS DRAWING CONTAINS INFORMATION THAT IS PROPRIETARY TO MOLEX ELECTRONIC TECHNOLOGIES, LLC AND SHOULD NOT BE USED WITHOUT WRITTEN PERMISSION		CURRENT REV DESC: SEE LONG TEXT			molex		
	▽ = 0	mm	SCALE	1:1				
	▽ = 0	GENERAL TOLERANCES (UNLESS SPECIFIED)		EC NO: 619923		PRODUCT CUSTOMER DRAWING		
	▽ = 0	ANGULAR TOL ± 2.0°		DRWN: JFLETCHER 2019/07/01		DOCUMENT NUMBER		
▽ = 0	4 PLACES ±		CHK'D: IOCONNELL 2019/08/15		DOC TYPE			
▽ = 0	3 PLACES ±		APPR: IOCONNELL 2019/08/16		DOC PART			
▽ = 0	2 PLACES ± 0.1		INITIAL REVISION:		REVISION			
▽ = 0	1 PLACE ± 0.2		DRWN: JFLETCHER 2015/12/16		934430060			
▽ = 0	0 PLACES ±		APPR: JDWALLACE 2016/01/14		PSD 000 C3			
■ = 0	DRAFT WHERE APPLICABLE MUST REMAIN WITHIN DIMENSIONS		THIRD ANGLE PROJECTION	DRAWING	SERIES	MATERIAL NUMBER	CUSTOMER	SHEET NUMBER
▽ = 0				A3-SIZE	93443	SEE CHART	GENERAL MARKET	2 OF 9



12CCT RECEPTACLE CONNECTOR

SERIES NO.

93444

CIRCUIT SIZE
6 = 12CCT

6

ASSEMBLY OPTIONS

- 1 = RECEPTACLE ASSEMBLY FOR WIRE JACKET RANGE \varnothing 1.20mm - 3.05mm
- 2 = RECEPTACLE ASSEMBLY FOR WIRE JACKET RANGE \varnothing 2.23mm - 3.68mm
- 5 = RECEPTACLE ASSEMBLY & HEATSHRINK FOR WIRE JACKET RANGE \varnothing 1.20mm - 3.05mm
- 6 = RECEPTACLE ASSEMBLY & HEATSHRINK FOR WIRE JACKET RANGE \varnothing 2.23mm - 3.68mm

KEYING / COLOUR OPTION

- 12 = KEYING OPTION A (GREY)
- 11 = KEYING OPTION A (BLACK)
- 21 = KEYING OPTION B (BLACK)
- 33 = KEYING OPTION C (GREEN)
- 47 = KEYING OPTION D (BROWN)

EXAMPLE:

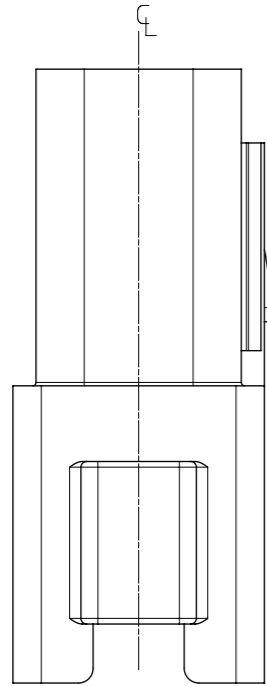
12CCT RECEPTACLE & HEATSHRINK FOR WIRE JACKET RANGE \varnothing 1.20mm-3.05mm, KEYING OPTION A (GREY): 93444-6512

NOTES

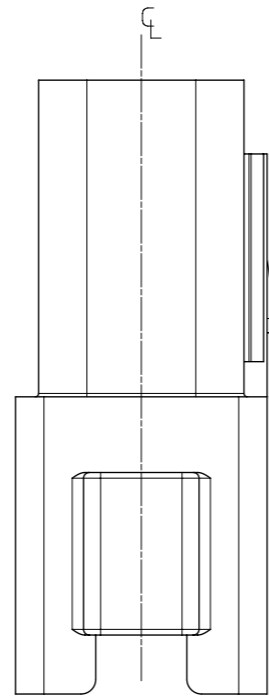
1. SEE SHEET 2 FOR UNSPECIFIED NOTES AND DIMENSIONS
2. BACK COVER COLOUR: BLACK
3. HEATSHRINK HOUSING COLOUR: BLACK

SYMBOLS		THIS DRAWING CONTAINS INFORMATION THAT IS PROPRIETARY TO MOLEX ELECTRONIC TECHNOLOGIES, LLC AND SHOULD NOT BE USED WITHOUT WRITTEN PERMISSION	
DIMENSION UNITS	SCALE	CURRENT REV DESC: SEE LONG TEXT	
$\nabla = 0$	mm	1.5:1	molex
$\nabla = 0$	GENERAL TOLERANCES (UNLESS SPECIFIED)		
$\nabla = 0$	ANGULAR TOL $\pm 2.0^\circ$		12CCT ML-XT CV CONNECTOR SYSTEM
$\nabla = 0$	4 PLACES	\pm	EC NO: 619923
$\nabla = 0$	3 PLACES	\pm	DRWN: JFLETCHER 2019/07/01
$\nabla = 0$	2 PLACES	± 0.1	CHK'D: IOCONNELL 2019/08/15
$\nabla = 0$	1 PLACE	± 0.2	APPR: IOCONNELL 2019/08/16
$\nabla = 0$	0 PLACES	\pm	INITIAL REVISION:
$\square = 0$	DRAFT WHERE APPLICABLE MUST REMAIN WITHIN DIMENSIONS		DRWN: JFLETCHER 2015/12/16
$\nabla = 0$	THIRD ANGLE PROJECTION		APPR: JDWALLACE 2016/01/14
		DRAWING	SERIES
		A3-SIZE	93443
DOCUMENT STATUS		DOCUMENT NUMBER	DOC TYPE
P1	934430060	PSD	DOC PART
RELEASE DATE	000	REVISION	C3
2019/08/16	3 OF 9	CUSTOMER	SHEET NUMBER
19:23:27	GENERAL MARKET		

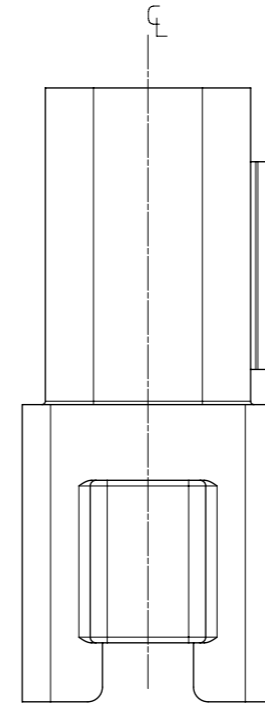
KEYING OPTION A



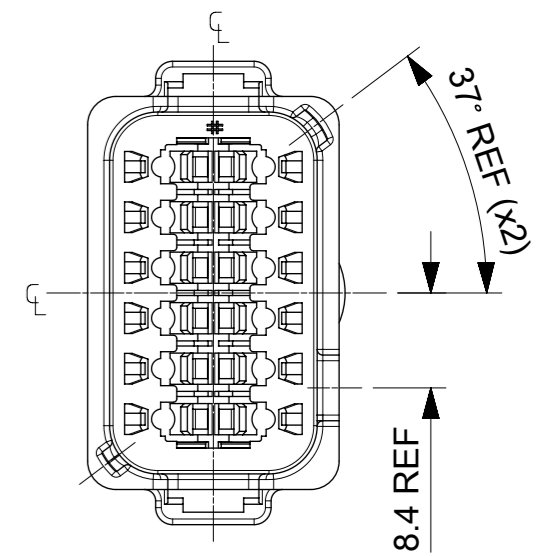
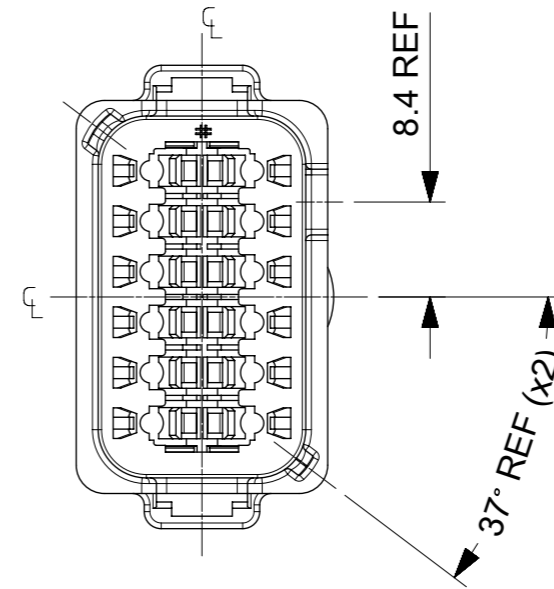
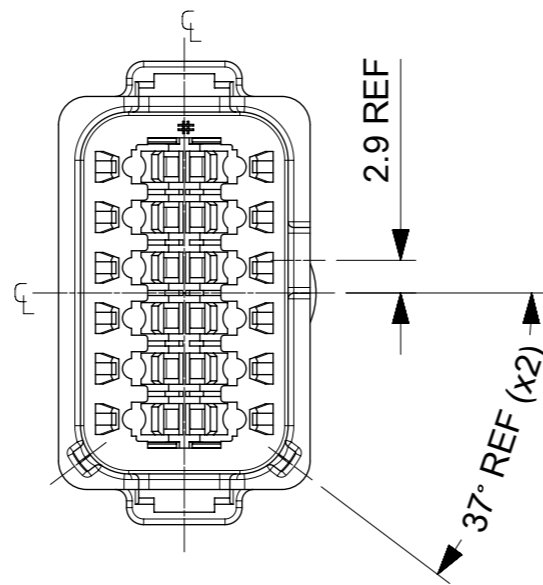
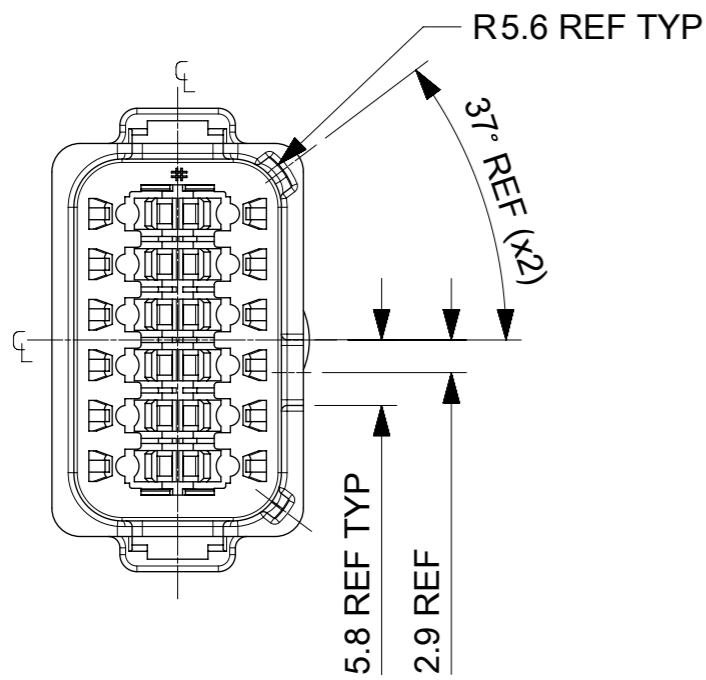
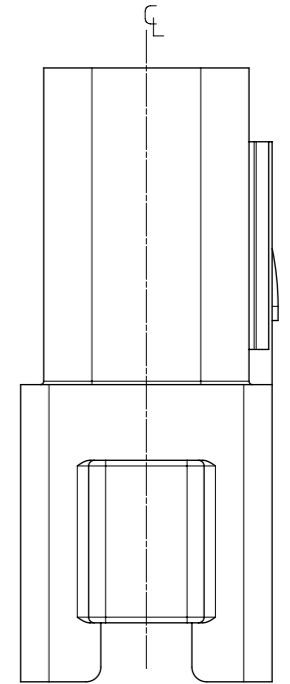
KEYING OPTION B



KEYING OPTION C

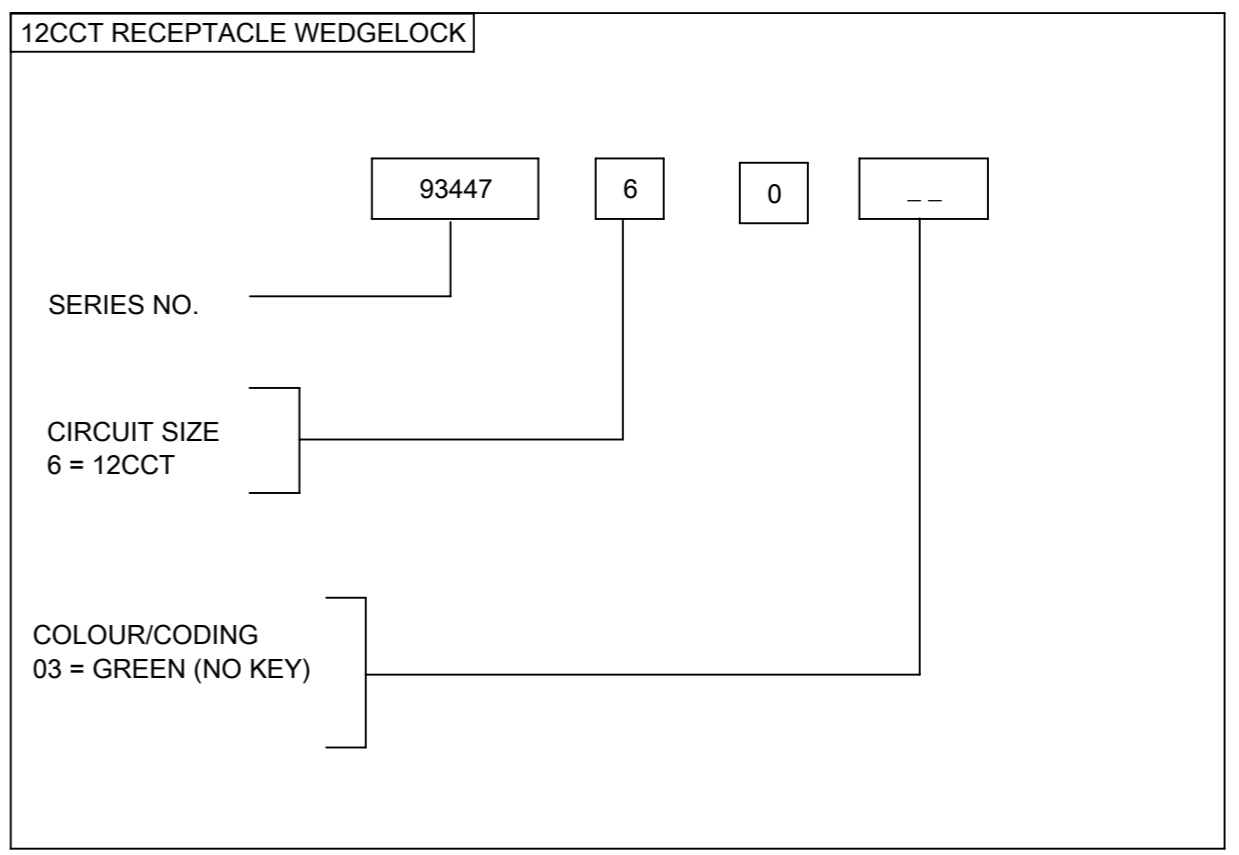
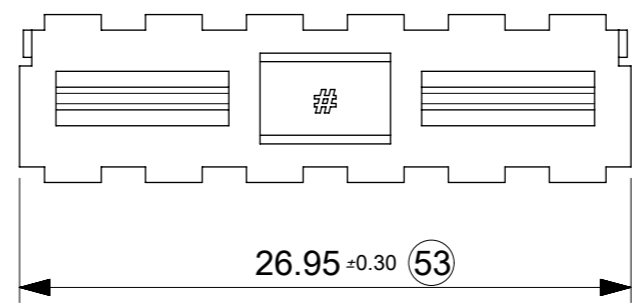
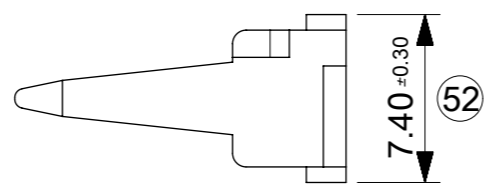
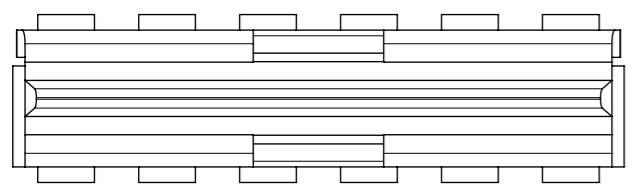
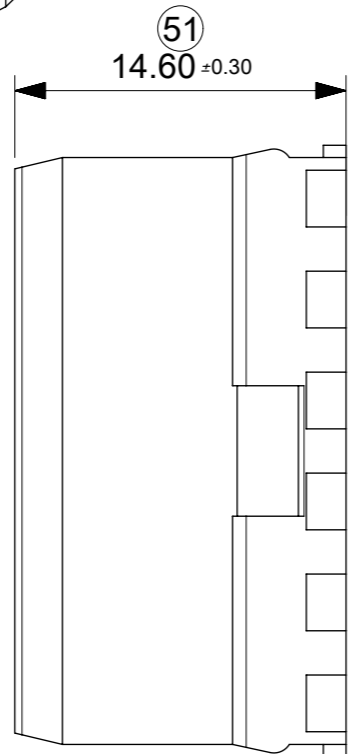
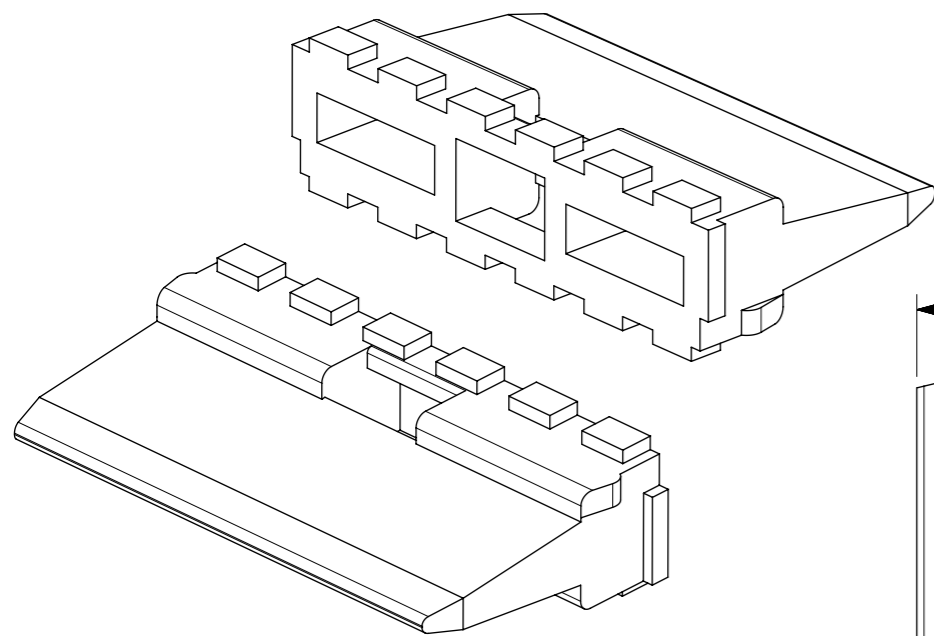


KEYING OPTION D



NOTES
1. SEE SHEETS 2 & 3 FOR UNSPECIFIED NOTES AND DIMENSIONS

SYMBOLS ▽ = 0 ▽ = 0 ▽ = 0 ▽ = 0 ▽ = 0 ▽ = 0 ▽ = 0 ▽ = 0 ▽ = 0 ▽ = 0	THIS DRAWING CONTAINS INFORMATION THAT IS PROPRIETARY TO MOLEX ELECTRONIC TECHNOLOGIES, LLC AND SHOULD NOT BE USED WITHOUT WRITTEN PERMISSION	SCALE	CURRENT REV DESC: SEE LONG TEXT					
	DIMENSION UNITS	1.5:1						
	GENERAL TOLERANCES (UNLESS SPECIFIED)							
	ANGULAR TOL ± 2.0°							
▽ = 0	4 PLACES	±	EC NO: 619923	2019/07/01	molex 12CCT ML-XT CV CONNECTOR SYSTEM			
▽ = 0	3 PLACES	±	DRWN: JFLETCHER	2019/08/15				
▽ = 0	2 PLACES	± 0.1	CHK'D: IOCONNELL	2019/08/16				
▽ = 0	1 PLACE	± 0.2	APPR: IOCONNELL	2019/08/16	PRODUCT CUSTOMER DRAWING			
▽ = 0	0 PLACES	±	INITIAL REVISION:		DOCUMENT NUMBER	DOC TYPE	DOC PART	REVISION
▽ = 0	DRAFT WHERE APPLICABLE MUST REMAIN WITHIN DIMENSIONS		THIRD ANGLE PROJECTION	DRAWING	SERIES	MATERIAL NUMBER	CUSTOMER	SHEET NUMBER
				A3-SIZE	93443	934430060	GENERAL MARKET	4 OF 9



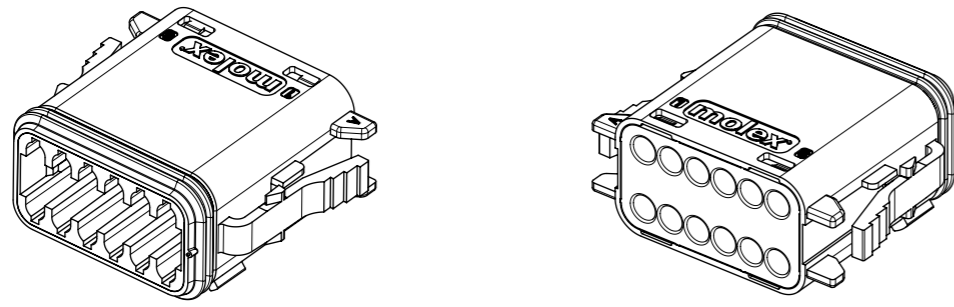
NOTES

1. MATERIAL:
HOUSING: NYLON 30% GLASS FILLED

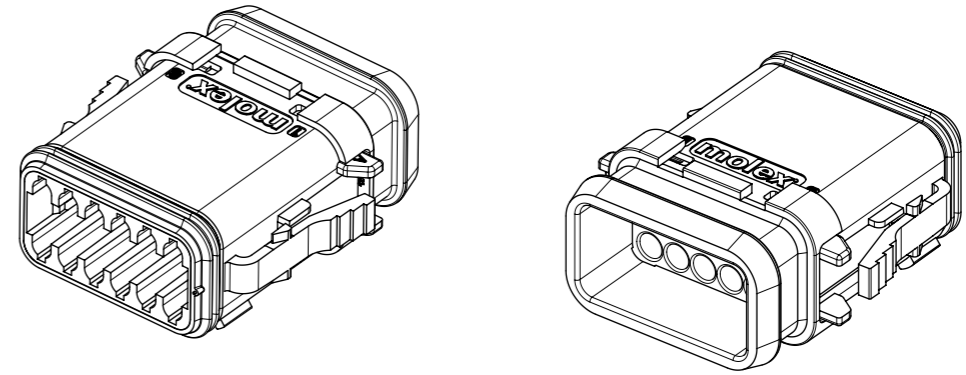
INSPECTION NUMBERS 51-100
RESERVED FOR SHEET 5
LAST INSPECTION NUMBER 53

SYMBOLS		THIS DRAWING CONTAINS INFORMATION THAT IS PROPRIETARY TO MOLEX ELECTRONIC TECHNOLOGIES, LLC AND SHOULD NOT BE USED WITHOUT WRITTEN PERMISSION		CURRENT REV DESC: SEE LONG TEXT		molex	
▽ = 0	mm	SCALE	3:1	GENERAL TOLERANCES (UNLESS SPECIFIED)			
▽ = 0		ANGULAR TOL ± 2.0°		EC NO: 619923		PRODUCT CUSTOMER DRAWING	
▽ = 0	4 PLACES ±	DRWN: JFLETCHER 2019/07/01		DRWN: JFLETCHER 2019/07/01		DOCUMENT NUMBER	
▽ = 0	3 PLACES ±	CHK'D: IOCONNELL 2019/08/15		CHK'D: IOCONNELL 2019/08/15		DOC TYPE DOC PART REVISION	
▽ = 0	2 PLACES ± 0.1	APPR: IOCONNELL 2019/08/16		APPR: IOCONNELL 2019/08/16		934430060 PSD 000 C3	
▽ = 0	1 PLACE ± 0.2	INITIAL REVISION:		DRWN: JFLETCHER 2015/12/16		MATERIAL NUMBER	
▽ = 0	0 PLACES ±	DRWN: JFLETCHER 2016/01/14		APPR: JDWALLACE 2016/01/14		CUSTOMER	
■ = 0	DRAFT WHERE APPLICABLE MUST REMAIN WITHIN DIMENSIONS	THIRD ANGLE PROJECTION	DRAWING	SERIES	MATERIAL NUMBER	CUSTOMER	SHEET NUMBER
▽ = 0		⊕	A3-SIZE	93443	SEE CHART	GENERAL MARKET	5 OF 9

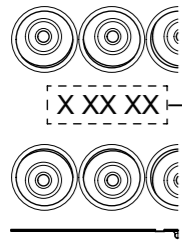
12CCT PLUG CONNECTOR



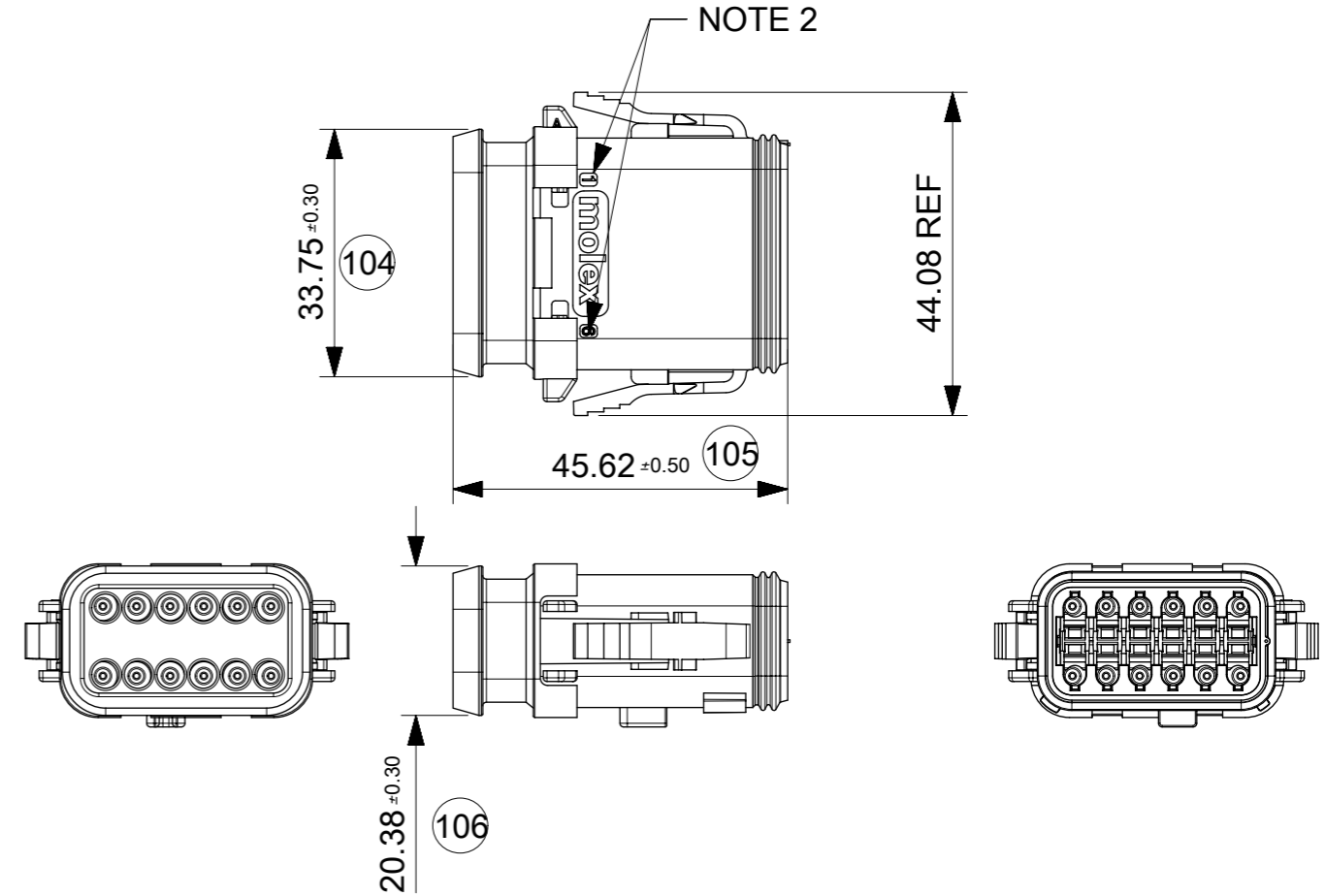
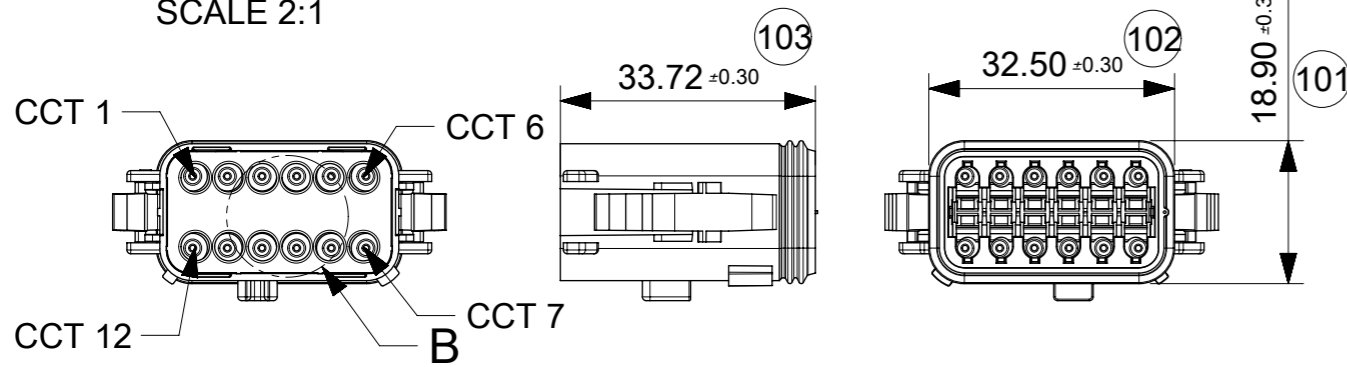
12CCT PLUG CONNECTOR WITH HEATSHRINK HOUSING ULTRASONICALLY WELDED IN PLACE



DATE CODE: X XX XX
 X — DAY: 1-7
 X — WEEK: 01 - 52
 X — YEAR: 00 - 99
 # — MACHINE NO. 1
 EXAMPLE: 11315 = DAY 1, WEEK 13, YEAR 15
 i.e. 23rd OF MARCH 2015



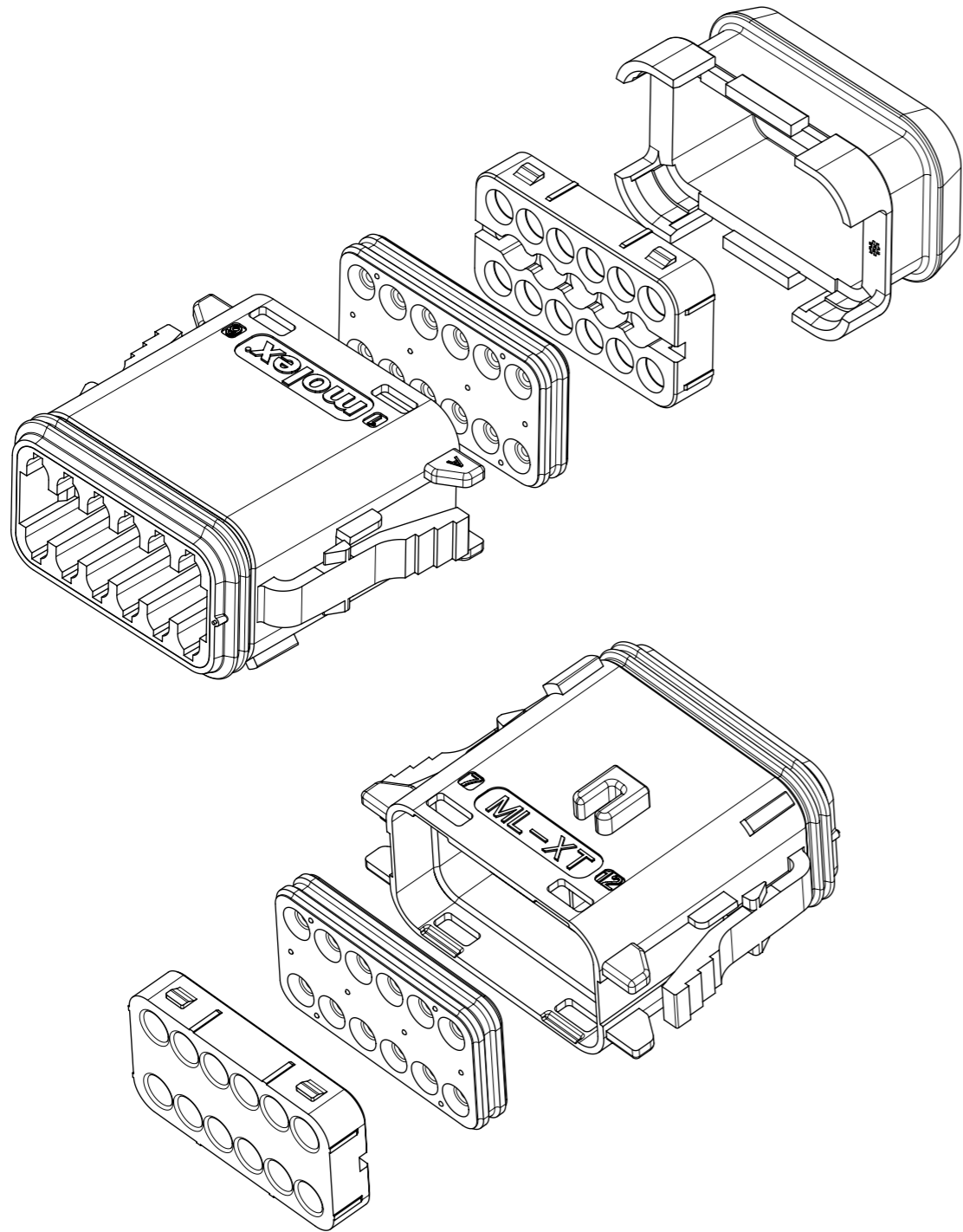
DETAIL B
 SCALE 2:1



NOTES

- MATERIAL
 HOUSING: NYLON 30% GLASS FILL
 PLUG SEAL: SILICONE
 BACK SEAL: HIGH CONSISTENCY RUBBER
 - CIRCUIT IDENTIFICATION
 - JACKET RANGE LARGE = \varnothing 2.23mm TO 3.68mm (SEAL COLOUR: LIGHT BLUE)
 JACKET RANGE SMALL = \varnothing 1.20mm TO 3.05mm (SEAL COLOUR: BURNT ORANGE)
 - SEE SHEET 7 FOR FINAL PART NUMBER DESIGNATION
 - SEE 934430010 PSP FOR PRODUCT SPECIFICATION
 - SEE 934430002 PS K FOR PACKAGING SPECIFICATION
- INSPECTION NUMBERS 101-150 RESERVED FOR SHEET 6
 LAST INSPECTION NUMBER 106

SYMBOLS		THIS DRAWING CONTAINS INFORMATION THAT IS PROPRIETARY TO MOLEX ELECTRONIC TECHNOLOGIES, LLC AND SHOULD NOT BE USED WITHOUT WRITTEN PERMISSION		CURRENT REV DESC: SEE LONG TEXT		molex	
▽ = 0	mm	SCALE	1:1	GENERAL TOLERANCES (UNLESS SPECIFIED)			
▽ = 0	4 PLACES	ANGULAR TOL	± 2.0°	EC NO: 619923		PRODUCT CUSTOMER DRAWING	
▽ = 0	3 PLACES	DRWN:	JFLETCHER	2019/07/01		DOCUMENT NUMBER	
▽ = 0	2 PLACES	CHK'D:	IOCONNELL	2019/08/15		934430060	
▽ = 0	1 PLACE	APPR:	IOCONNELL	2019/08/16		PSD 000 C3	
▽ = 0	0 PLACES	INITIAL REVISION:				DOC TYPE DOC PART REVISION	
▽ = 0	DRAFT WHERE APPLICABLE MUST REMAIN WITHIN DIMENSIONS	DRWN:	JFLETCHER	2015/12/16		MATERIAL NUMBER	
▽ = 0		APPR:	JDWALLACE	2016/01/14		CUSTOMER	
		THIRD ANGLE PROJECTION		DRAWING		SHEET NUMBER	
				A3-SIZE		6 OF 9	
				SERIES			
				93443			



12CCT PLUG CONNECTOR

SERIES NO.

93445

CIRCUIT SIZE
6 = 12CCT

6

-

- -

ASSEMBLY OPTIONS

- 1 = PLUG ASSEMBLY FOR WIRE JACKET RANGE \varnothing 1.20mm - 3.05mm
- 2 = PLUG ASSEMBLY FOR WIRE JACKET RANGE \varnothing 2.23mm - 3.68mm
- 5 = PLUG ASSEMBLY & HEATSHRINK FOR WIRE JACKET RANGE \varnothing 1.20mm - 3.05mm
- 6 = PLUG ASSEMBLY & HEATSHRINK FOR WIRE JACKET RANGE \varnothing 2.23mm - 3.68mm

KEYING / COLOUR OPTION

- 12 = KEYING OPTION A (GREY)
- 11 = KEYING OPTION A (BLACK)
- 21 = KEYING OPTION B (BLACK)
- 33 = KEYING OPTION C (GREEN)
- 47 = KEYING OPTION D (BROWN)
- 52 = KEYING OPTION E (GREY)

EXAMPLE:

12CCT PLUG & HEATSHRINK FOR WIRE JACKET RANGE \varnothing 1.20mm-3.05mm, KEYING OPTION A (GREY): 93445-6512

NOTES

1. SEE SHEET 6 FOR UNSPECIFIED NOTES AND DIMENSIONS
2. BACK COVER COLOUR: BLACK
3. HEATSHRINK HOUSING COLOUR: BLACK

SYMBOLS	THIS DRAWING CONTAINS INFORMATION THAT IS PROPRIETARY TO MOLEX ELECTRONIC TECHNOLOGIES, LLC AND SHOULD NOT BE USED WITHOUT WRITTEN PERMISSION		CURRENT REV DESC: SEE LONG TEXT			molex		
	DIMENSION UNITS	SCALE						
$\nabla = 0$	mm	1:1	EC NO: 619923			DOCUMENT NUMBER		
$\nabla = 0$	GENERAL TOLERANCES (UNLESS SPECIFIED)		DRWN: JFLETCHER 2019/07/01			934430060		
$\nabla = 0$	ANGULAR TOL $\pm 2.0^\circ$		CHK'D: IOCONNELL 2019/08/15			DOC TYPE DOC PART REVISION		
$\nabla = 0$	4 PLACES \pm		APPR: IOCONNELL 2019/08/16			PSD 000 C3		
$\nabla = 0$	3 PLACES \pm		INITIAL REVISION:			MATERIAL NUMBER		
$\nabla = 0$	2 PLACES ± 0.1		DRWN: JFLETCHER 2015/12/16			CUSTOMER		
$\nabla = 0$	1 PLACE ± 0.2		APPR: JDWALLACE 2016/01/14			SEE CHART		
$\nabla = 0$	0 PLACES \pm		DRAFT WHERE APPLICABLE MUST REMAIN WITHIN DIMENSIONS			GENERAL MARKET		
$\nabla = 0$	THIRD ANGLE PROJECTION		DRAWING		SERIES		SHEET NUMBER	
$\nabla = 0$	A3-SIZE		93443		7 OF 9			

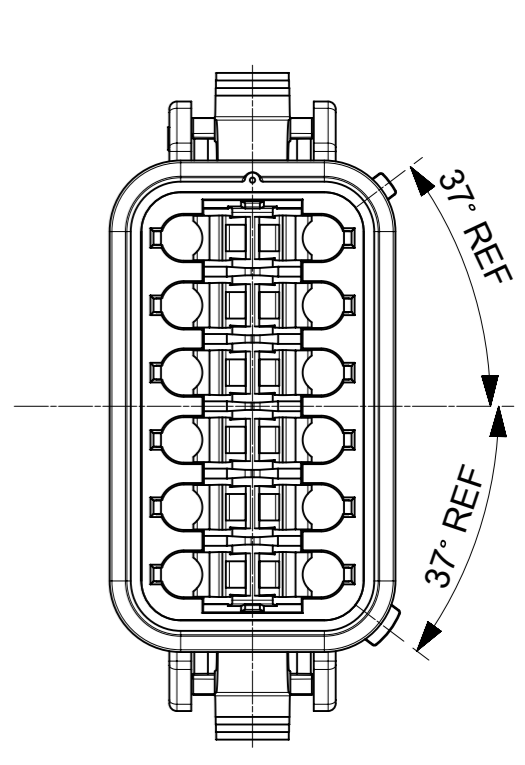
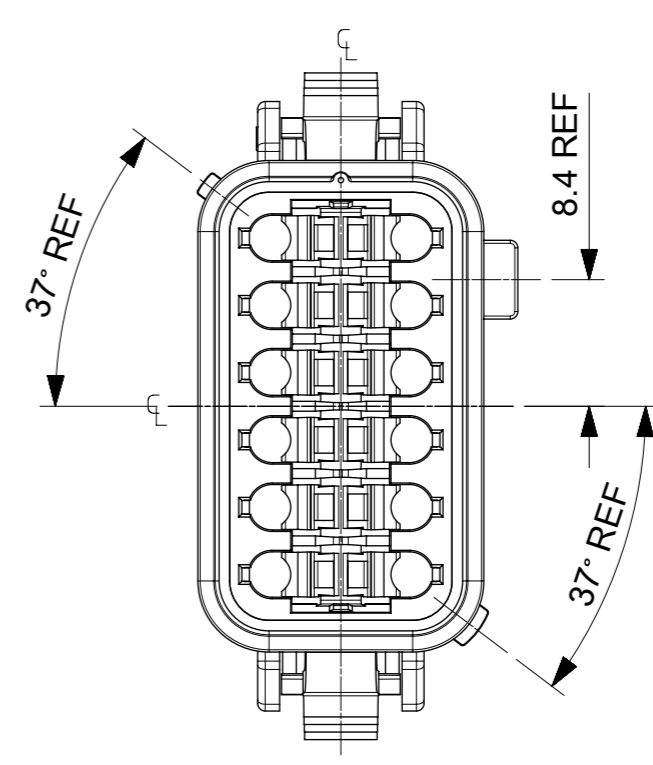
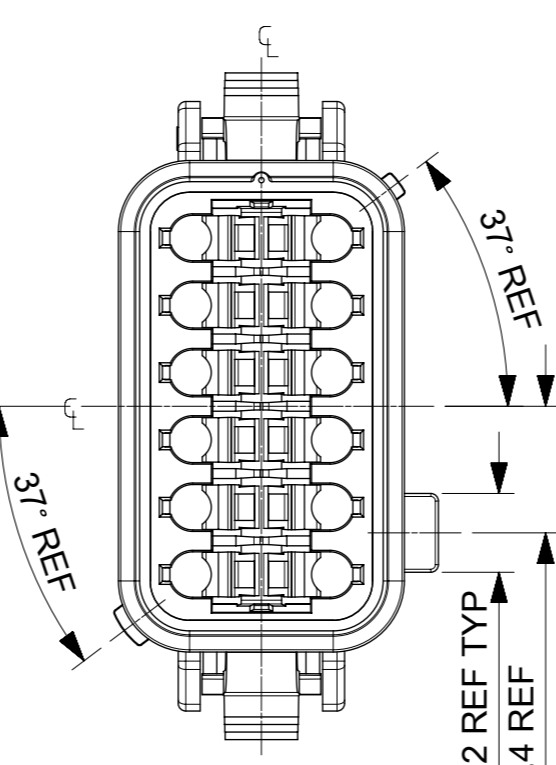
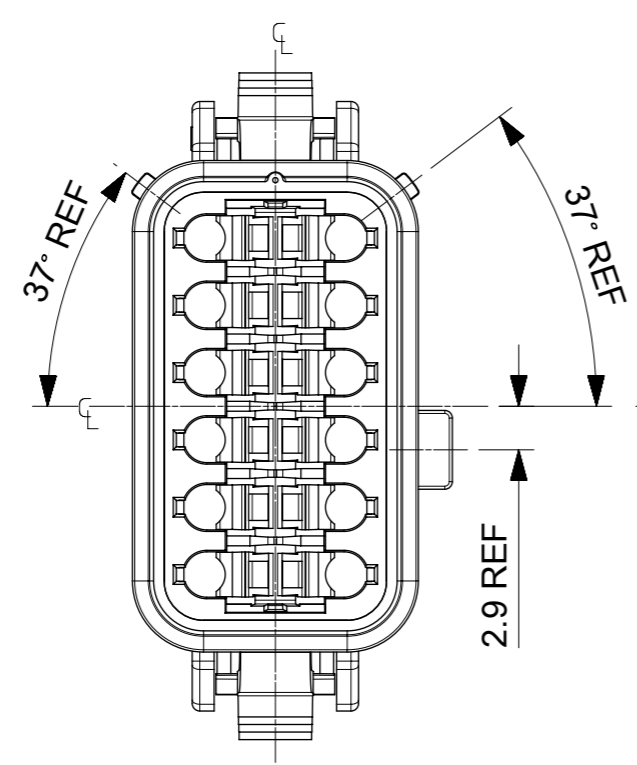
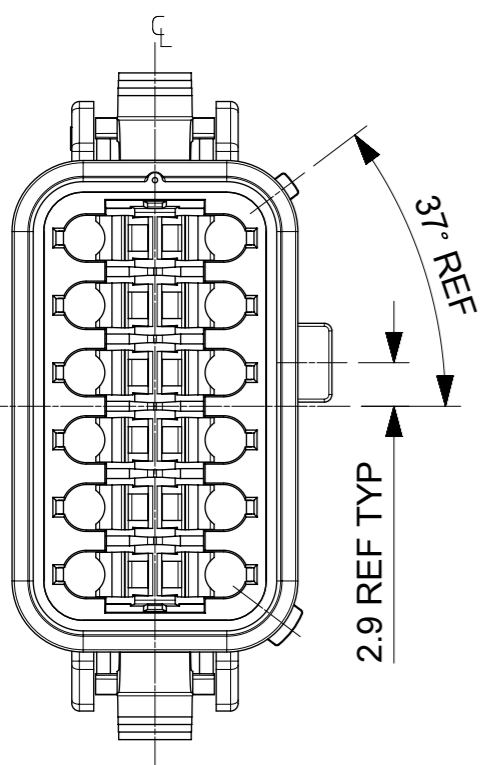
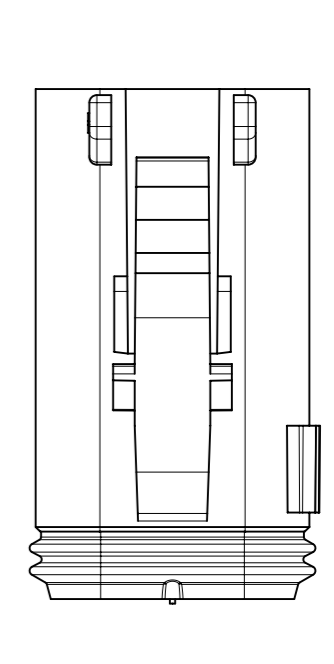
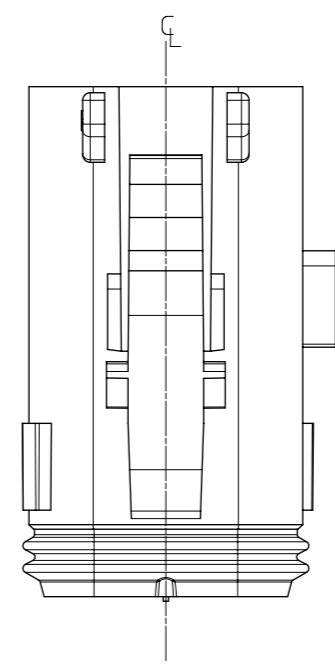
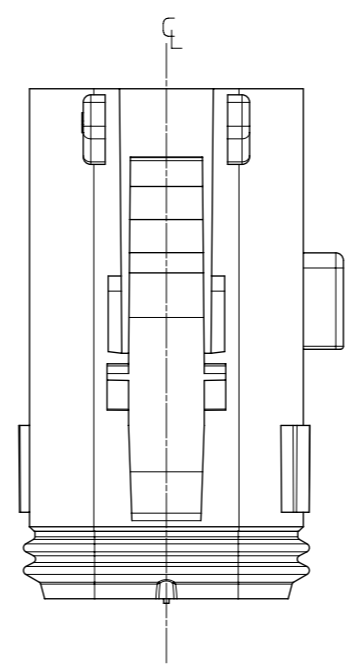
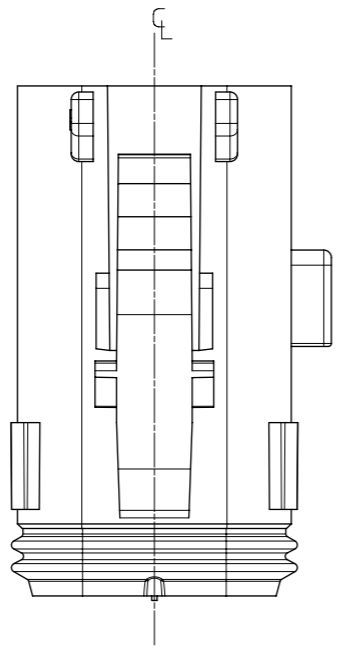
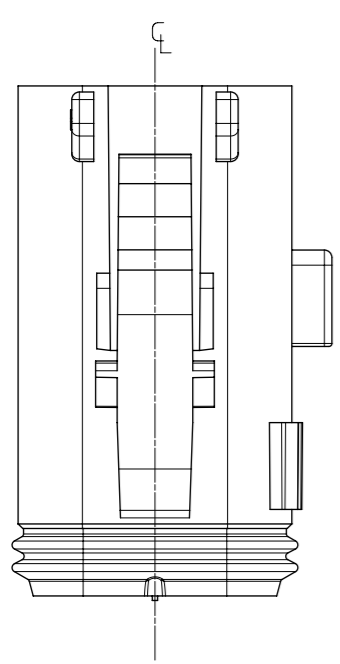
KEYING OPTION A

KEYING OPTION B

KEYING OPTION C

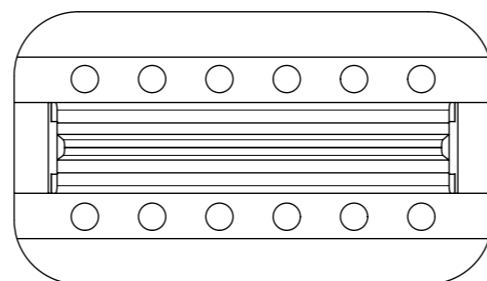
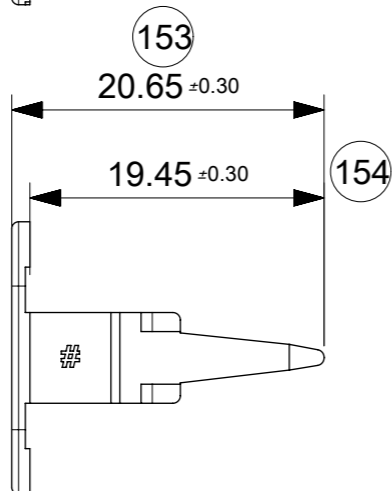
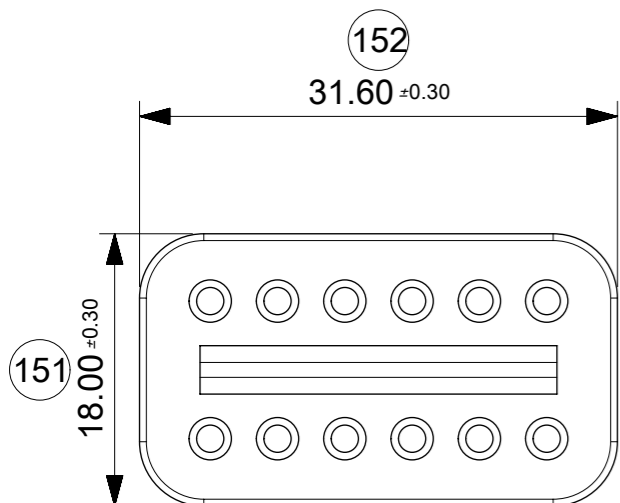
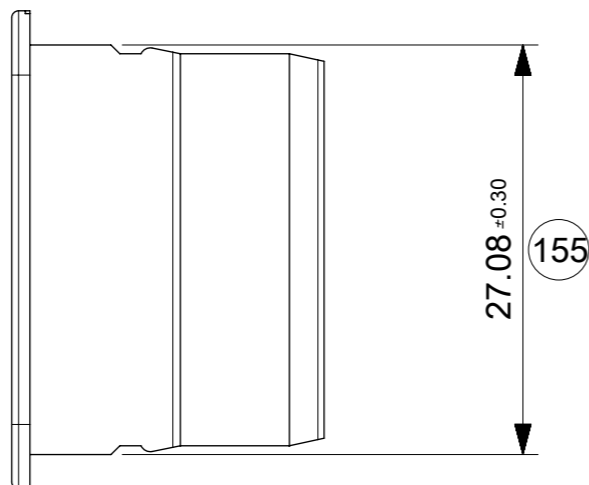
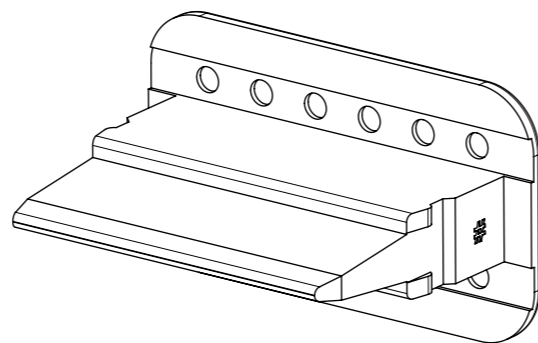
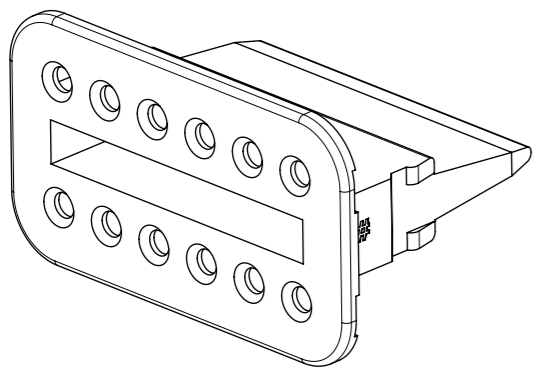
KEYING OPTION D

KEYING OPTION E

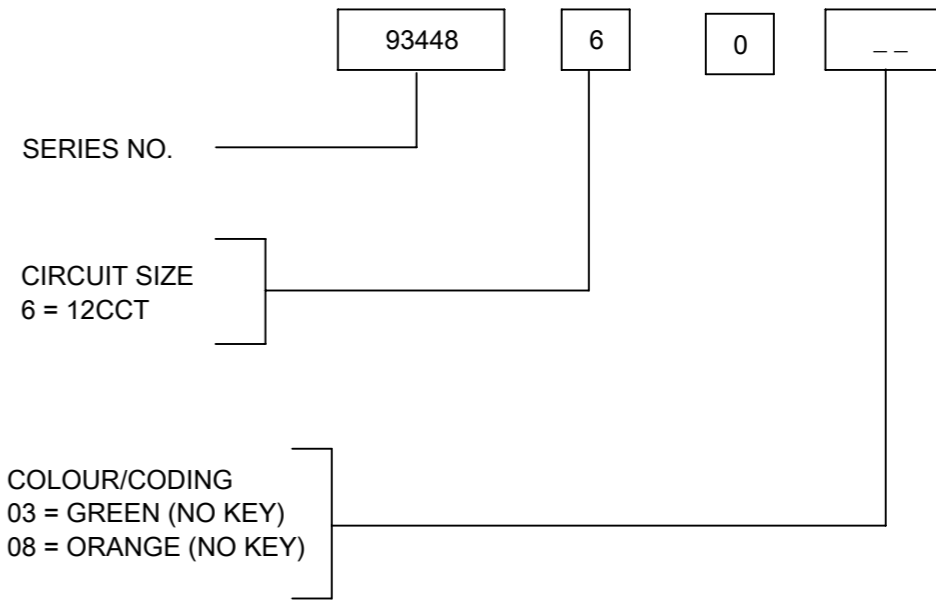


NOTES
1. SEE SHEETS 6 & 7 FOR UNSPECIFIED NOTES AND DIMENSIONS

SYMBOLS	THIS DRAWING CONTAINS INFORMATION THAT IS PROPRIETARY TO MOLEX ELECTRONIC TECHNOLOGIES, LLC AND SHOULD NOT BE USED WITHOUT WRITTEN PERMISSION		CURRENT REV DESC: SEE LONG TEXT				
	mm	SCALE 2:1					
▽ = 0	GENERAL TOLERANCES (UNLESS SPECIFIED)		EC NO: 619923		12CCT ML-XT CV CONNECTOR SYSTEM		
▽ = 0	ANGULAR TOL ± 2.0°		DRWN: JFLETCHER 2019/07/01		PRODUCT CUSTOMER DRAWING		
▽ = 0	4 PLACES ±		CHK'D: IOCONNELL 2019/08/15		DOCUMENT NUMBER		
▽ = 0	3 PLACES ±		APPR: IOCONNELL 2019/08/16		DOC TYPE DOC PART REVISION		
▽ = 0	2 PLACES ± 0.1		INITIAL REVISION:		934430060 PSD 000 C3		
▽ = 0	1 PLACE ± 0.2		DRWN: JFLETCHER 2015/12/16		MATERIAL NUMBER		
▽ = 0	0 PLACES ±		APPR: JDWALLACE 2016/01/14		CUSTOMER		
■ = 0	DRAFT WHERE APPLICABLE MUST REMAIN WITHIN DIMENSIONS		THIRD ANGLE PROJECTION		SHEET NUMBER		
▽ = 0			DRAWING A3-SIZE		8 OF 9		



12CCT PLUG WEDGELOCK



NOTES
 1. MATERIAL
 HOUSING: NYLON 30% GLASS FILL

INSPECTION NUMBERS 151-200 RESERVED FOR SHEET 9
 LAST INSPECTION NUMBER 155

SYMBOLS ▽ = 0 ▽ = 0 ▽ = 0 ▽ = 0 ▽ = 0 ▽ = 0 ▽ = 0 ▽ = 0 ▽ = 0 ▽ = 0 ▽ = 0 ▽ = 0	THIS DRAWING CONTAINS INFORMATION THAT IS PROPRIETARY TO MOLEX ELECTRONIC TECHNOLOGIES, LLC AND SHOULD NOT BE USED WITHOUT WRITTEN PERMISSION	SCALE 2:1	CURRENT REV DESC: SEE LONG TEXT					
	DIMENSION UNITS mm	GENERAL TOLERANCES (UNLESS SPECIFIED)			12CCT ML-XT CV CONNECTOR SYSTEM			
	ANGULAR TOL ± 2.0°		EC NO: 619923			DOCUMENT NUMBER		
	4 PLACES ±		DRWN: JFLETCHER 2019/07/01			934430060		
3 PLACES ±		CHK'D: IOCONNELL 2019/08/15			DOC TYPE			
2 PLACES ± 0.1		APPR: IOCONNELL 2019/08/16			DOC PART			
1 PLACE ± 0.2		INITIAL REVISION:			REVISION			
0 PLACES ±		DRWN: JFLETCHER 2015/12/16			000			
DRAFT WHERE APPLICABLE MUST REMAIN WITHIN DIMENSIONS		APPR: JDWALLACE 2016/01/14			C3			
THIRD ANGLE PROJECTION		DRAWING			MATERIAL NUMBER			
DRAWING		SERIES			CUSTOMER			
A3-SIZE		93443			SEE CHART			
GENERAL MARKET		9 OF 9						