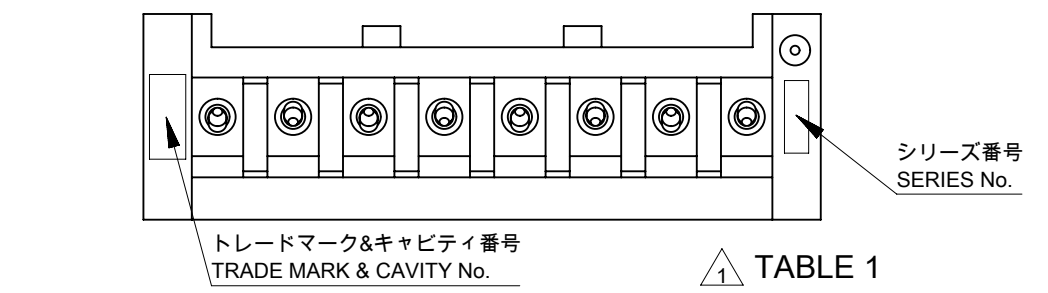
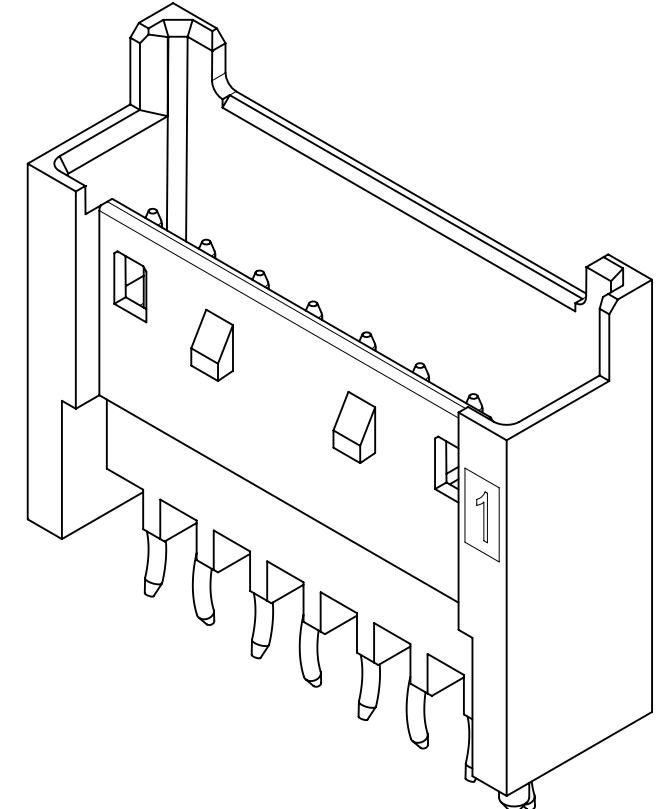


**NOTES**

- ① 材料及び仕上げ(めっき仕様) : TABLE 1参照  
MATERIAL AND FINISHES : SEE TABLE 1
- 2. 製品仕様書 : 511630000-PS 000  
PRODUCT SPECIFICATION:511630000-PS 000
- 3. 梱包仕様書 : 535179200-SPK 200  
PACKAGING SPECIFICATION: 535179200-SPK 200
- 4. 嵌合相手 : 51163 シリーズ  
MATES WITH:51163 SERIES
- 5. アプリケーション仕様書(コネクタ取扱い説明書) : 2166940000-AS PS 000  
APPLICATION SPECIFICATION(CONNECTOR MANUAL) : 2166940000-AS PS 000
- ⑥ 偶数極に適用  
APPLY FOR EVEN CIRCUIT
- 7. GLOW WIRE TEST 適合品  
THIS PRODUCT IS GLOW WIRE TEST COMPATIBLE.

			HOUSING COLOR	
			SEE SHEET 2	
38.2	35	39.9	5351715**	15
35.7	32.5	37.4	5351714**	14
33.2	30	34.9	5351713**	13
30.7	27.5	32.4	5351712**	12
28.2	25	29.9	5351711**	11
25.7	22.5	27.4	5351710**	10
23.2	20.0	24.9	5351709**	9
20.7	17.5	22.4	5351708**	8
18.2	15.0	19.9	5351707**	7
15.7	12.5	17.4	5351706**	6
13.2	10.0	14.9	5351705**	5
10.7	7.5	12.4	5351704**	4
8.2	5.0	9.9	5351703**	3
5.7	2.5	7.4	5351702**	2
C	B	A	発注番号 ORDER No. 梱包形態 : トレイ PACKAGE:TRAY	極数 CIRCUIT SIZE

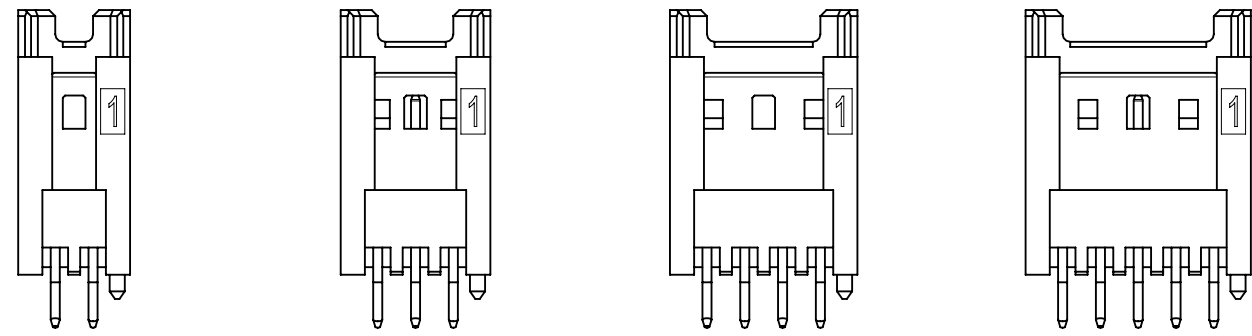


① TABLE 1

部品 PART	材料 MATERIAL
① プラグハウジング PLUG HOUSING	ポリアミド,ガラス含有,UL94V-0,色 : SEE SHEET 2 POLYAMIDE(PA),GLASS FILLED,UL94V-0,COLOR: SEE SHEET 2
② プラグピン PLUG PIN	りん青銅 PHOSPHOR BRONZE
	錫めっき : 1.0 MICROMETER MINIMUM MATTE TIN PLATING : 1.0 MICROMETER MINIMUM
	銅めっき(下地めっき) : 0.5 MICROMETERS MINIMUM COPPER PLATING(UNDER PLATING) : 0.5 MICROMETERS MINIMUM

THIS DRAWING CONTAINS INFORMATION THAT IS PROPRIETARY TO MOLEX ELECTRONIC TECHNOLOGIES, LLC AND SHOULD NOT BE USED WITHOUT WRITTEN PERMISSION

DIMENSION UNITS mm	SCALE NTS	CURRENT REV DESC:	
GENERAL TOLERANCES (UNLESS SPECIFIED)		<b>molex</b> MINI-LOCK 2.5 W/B SINGLE ROW VERTICAL PLUG ASSEMBLY FOR POTTING PRODUCT CUSTOMER DRAWING	
ANGULAR TOL ± 3.0 °			
4 PLACES ±	EC NO: 652870		
3 PLACES ±	DRWN: MIKEDA01 2023/03/27		
2 PLACES ± 0.2	CHK'D: SAKIYAMA 2023/05/15		
1 PLACE ± 0.2	APPR: AIDA 2023/05/15	INITIAL REVISION:	
0 PLACES ± 0.2	DRWN: RWATANABE01 2018/03/14	DOCUMENT NUMBER	
DRAFT WHERE APPLICABLE MUST REMAIN WITHIN DIMENSIONS		APPR: TKANEKO 2018/09/10	535170000-SD
THIRD ANGLE PROJECTION		DRAWING	SERIES
A3-SIZE		53517	CUSTOMER
		GENERAL	SHEET NUMBER
			1 OF 2



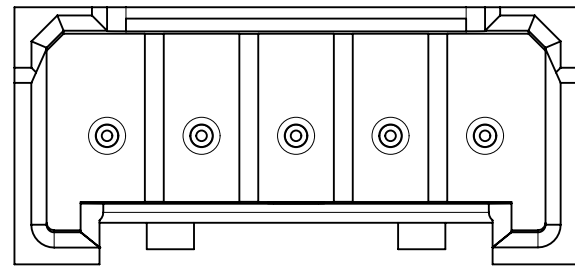
2CIRCUIT

3CIRCUIT

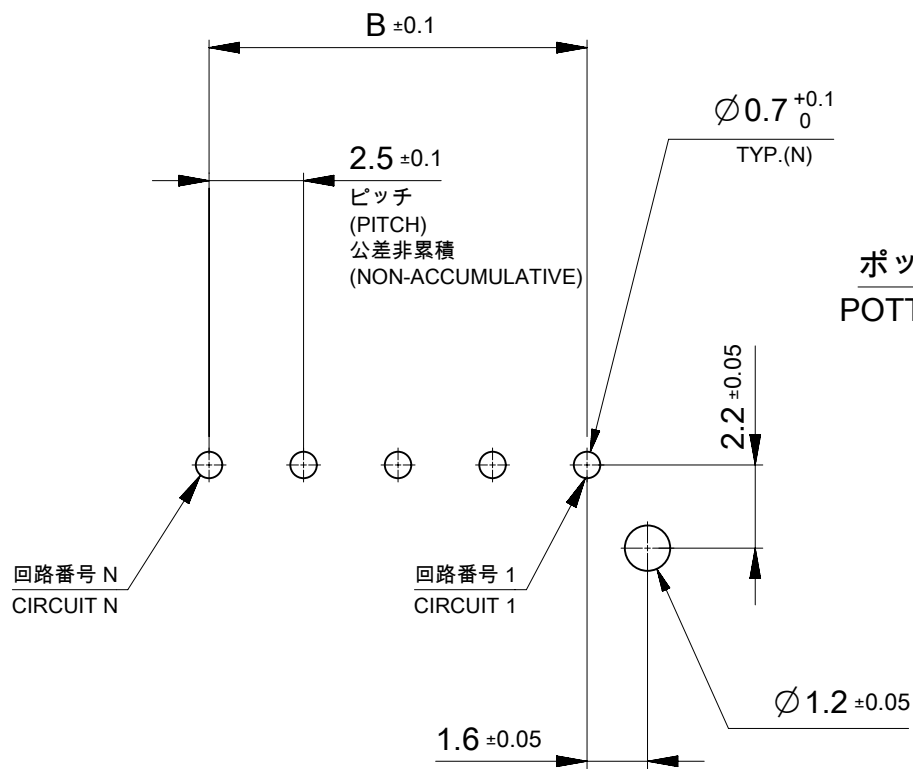
4CIRCUIT

5-15CIRCUIT

ロック形状図  
LOCK CONFIGURATION

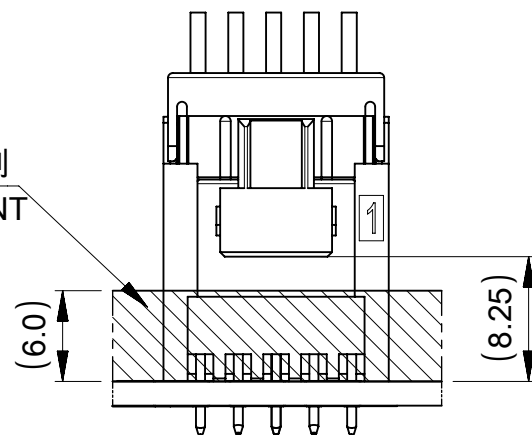


製品レイアウト  
PRODUCT LAYOUT

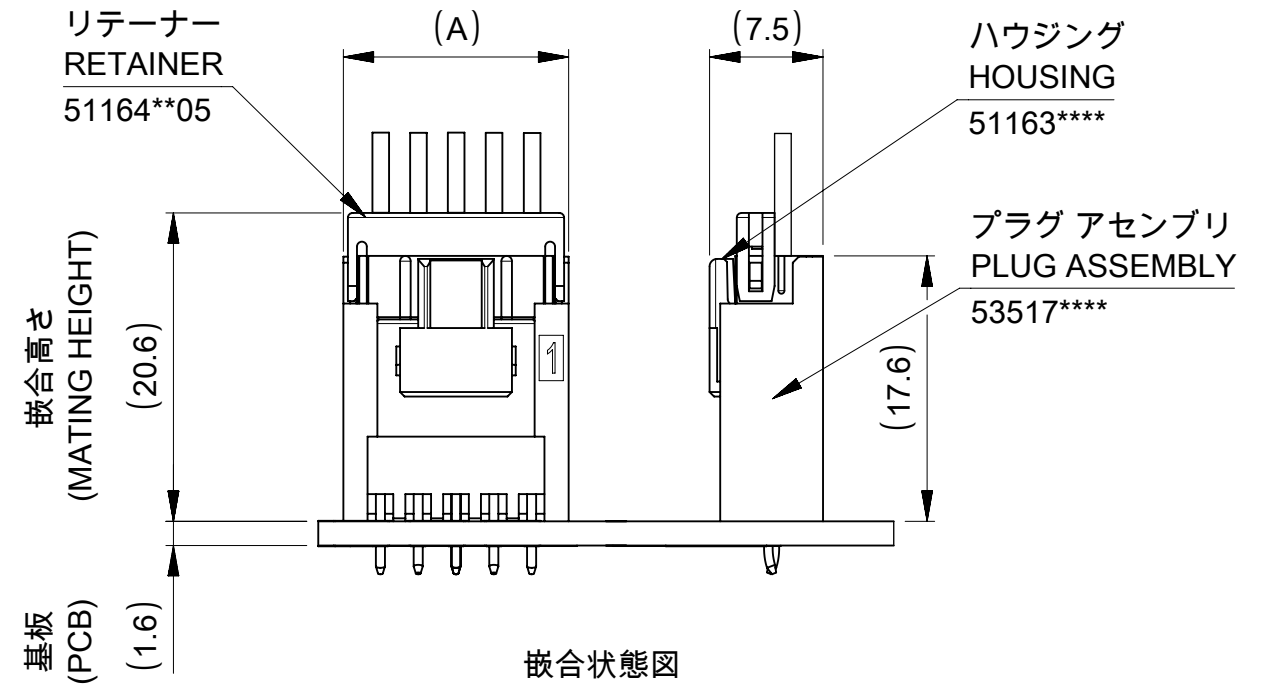


基板取付穴推奨寸法(マウント面)  
RECOMMENDED PCB HOLE DIMENSION  
(MOUNTING SIDE), (t=1.6)

ポッティング剤  
POTTING AGENT



参考ポッティング高さ  
POTTING HEIGHT (REFERENCE)



嵌合状態図  
MATED CONNECTORS

BLACK	NATURAL (WHITE)	HOUSING COLOR
535171541	535171530	15
535171441	535171430	14
535171341	535171330	13
535171241	535171230	12
535171141	535171130	11
535171041	535171030	10
535170941	535170930	9
535170841	535170830	8
535170741	535170730	7
535170641	535170630	6
535170541	535170530	5
535170441	535170430	4
535170341	535170330	3
535170241	535170230	2
発注番号 ORDER NO.		極数 CIRCUIT SIZE

THIS DRAWING CONTAINS INFORMATION THAT IS PROPRIETARY TO MOLEX ELECTRONIC TECHNOLOGIES, LLC AND SHOULD NOT BE USED WITHOUT WRITTEN PERMISSION

DIMENSION UNITS	SCALE	CURRENT REV DESC:		
mm	NTS			
GENERAL TOLERANCES (UNLESS SPECIFIED)				
ANGULAR TOL	± 3.0 °			
4 PLACES	±	EC NO: 652870	2023/03/27	
3 PLACES	±	DRWN: MIKEDA01	2023/05/15	
2 PLACES	± 0.2	CHK'D: SAKIYAMA	2023/05/15	
1 PLACE	± 0.2	APPR: AIDA	2023/05/15	
0 PLACES	± 0.2	INITIAL REVISION:		
DRAFT WHERE APPLICABLE MUST REMAIN WITHIN DIMENSIONS		DRWN: RWATANABE01	2018/03/14	
THIRD ANGLE PROJECTION		APPR: TKANEKO	2018/09/10	
DRAWING		SERIES	MATERIAL NUMBER	CUSTOMER
A3-SIZE		53517	535170000-SD	GENERAL
SHEET NUMBER		2 OF 2		