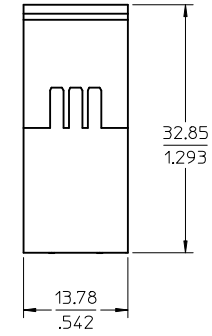
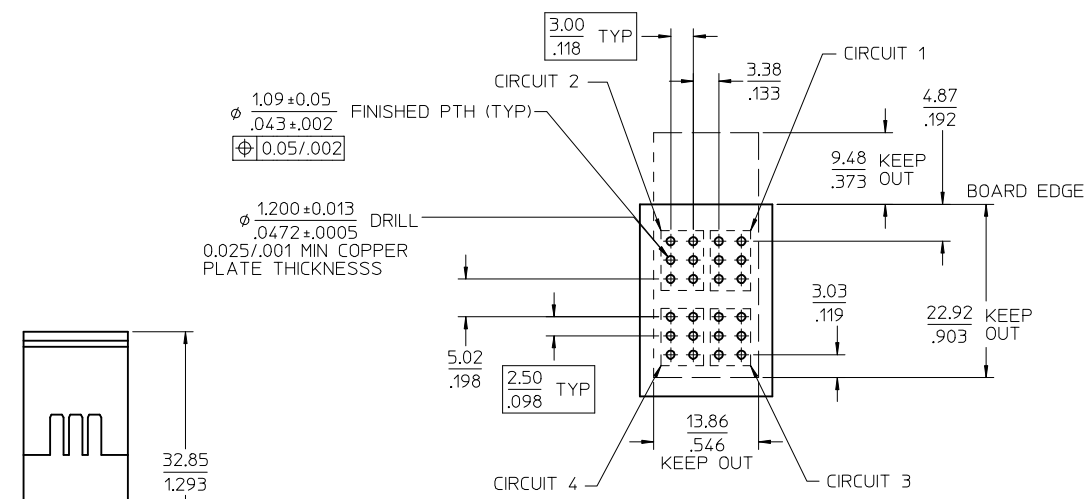
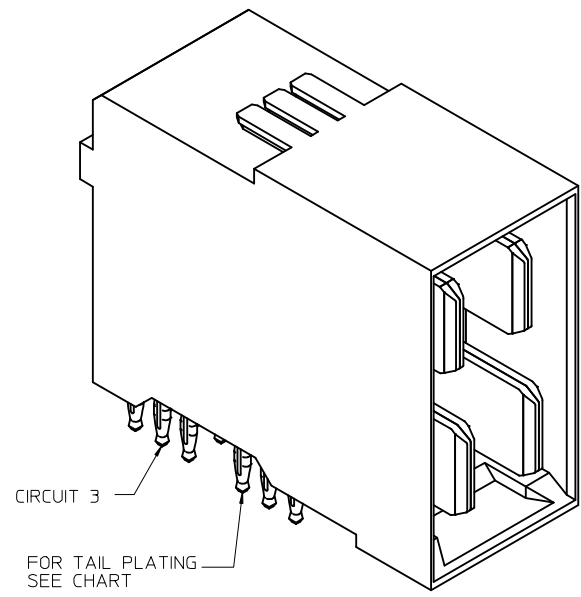
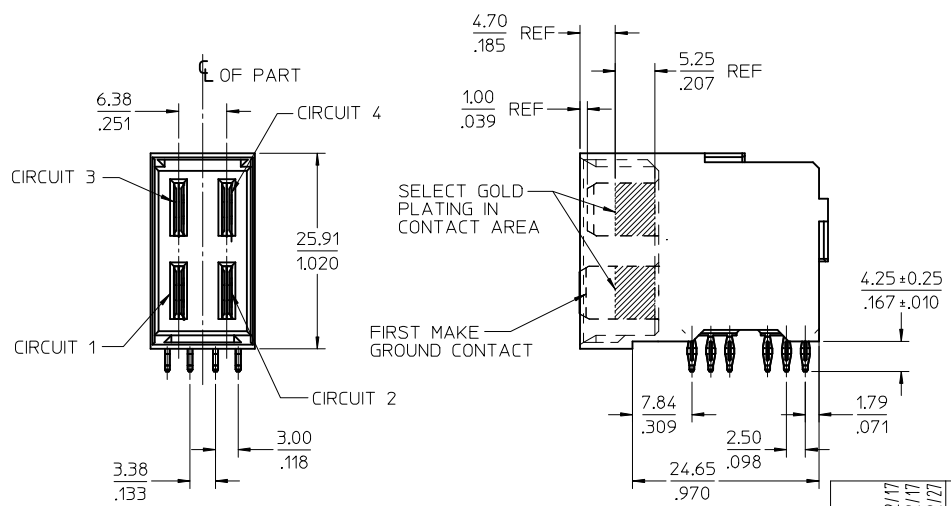


NOTES:

- MATERIALS:
  - HOUSING: 30% GLASS FILLED, LCP 94V-0, COLOR BLACK
  - TERMINALS: COPPER ALLOY
- PLATING:
  - 0.76 MICROMETER (30 MICROINCH) MINIMUM GOLD IN CONTACT AREA
  - SELECTIVE MATTE TIN ON PCB TAILS
  - NICKEL UNDERPLATE OVERALL
- PLUG MATES WITH RECEPTACLE ASSEMBLY 46079-10\*\*
- MODULE IS DESIGNED FOR PRESS FIT TO THE PCB
- MODULE ASSEMBLY IS RoHS COMPLIANT
- MODULES TO BE UL & CSA LISTED PER UL-1977
- AVERAGE INSERTION FORCE INTO PCB IS 8.2 kg/18 lbs PER TAIL
- PRODUCT PERFORMANCE AND RATING PER PS-75431-\*\*\*\*
- APPLICATION SPEC PER AS-75541-\*\*\*\*
- RECOMMENDED PCB DRILL HOLE DIA 1.180/0465 (#56 DRILL)
- FOR MODULE CONFIGURATION SEE DRAWING SD-75541-001



**PCB LAYOUT**  
**2.40/.094 MIN THICK**

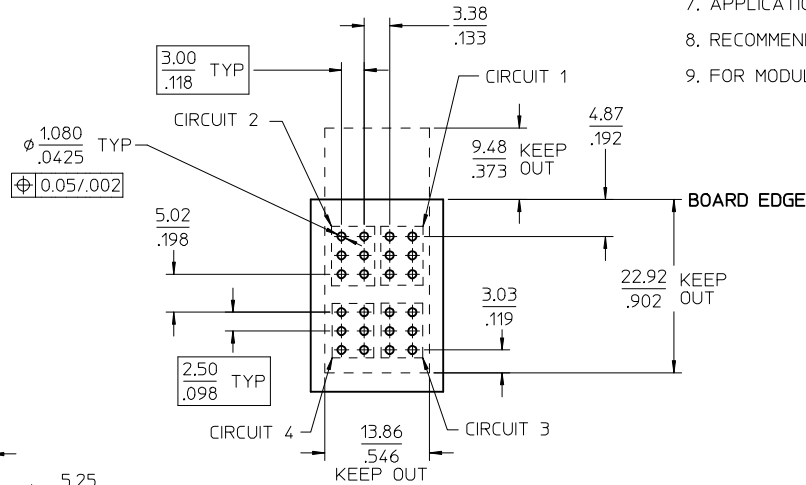
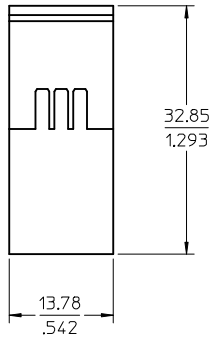


UPDATE PER ISIR EC NO: 2015/02/17 DRWN: JQUILES CHKD: MBANDURA APPR: APATEL 2015/02/17 2015/02/17 2015/02/17	QUALITY SYMBOLS ∇=0 ∇=0 ∇=0	GENERAL TOLERANCES (UNLESS SPECIFIED)		DIMENSION STYLE MM/IN	SCALE 2:1	DESIGN UNITS METRIC	THIRD ANGLE PROJECTION		
		4 PLACES ± --- ± ---	3 PLACES ± --- ± .008	2 PLACES ± 0.20 ± .013	1 PLACE ± 0.33 ± ---	0 PLACE ± ±	ASSEMBLY - PLUG 4 CIRCUIT - PRESS FIT MULTI PATH		
		ANGULAR ±1/2°		DRAFT WHERE APPLICABLE MUST REMAIN WITHIN DIMENSIONS		MATERIAL NO. 46081-1000		DOCUMENT NO. SD-46081-100	
		SHEET NO. 1 OF 1		THIS DRAWING CONTAINS INFORMATION THAT IS PROPRIETARY TO MOLEX INCORPORATED AND SHOULD NOT BE USED WITHOUT WRITTEN PERMISSION					

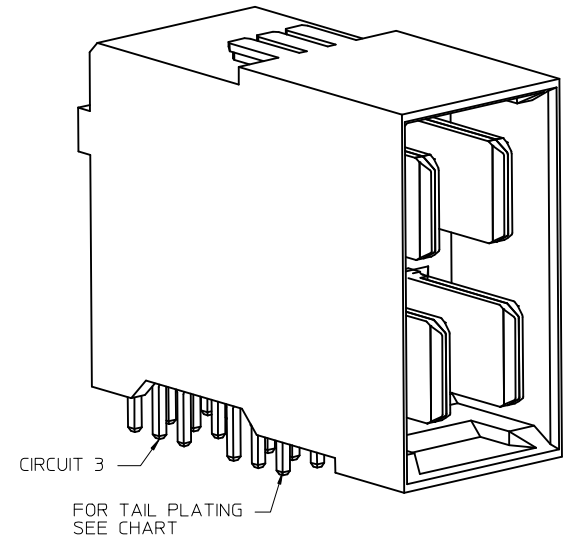
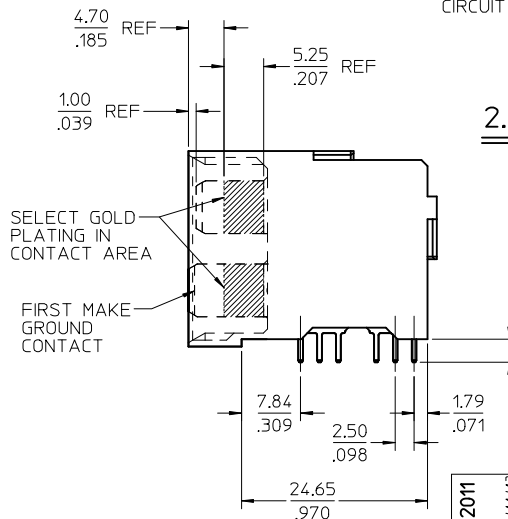
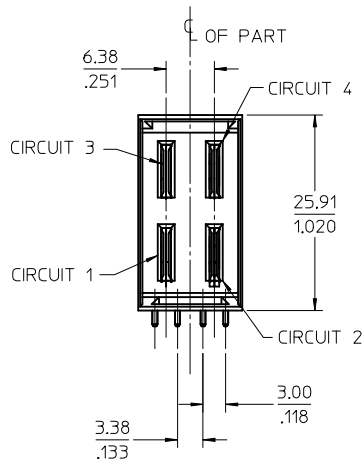
PART NUMBER	DIM "A"
46081-2000	3.07/.121
46081-2010	3.81/.150

NOTES:

- MATERIALS:
  - HOUSING: 30% GLASS FILLED, LCP 94V-0, COLOR BLACK
  - TERMINALS: COPPER ALLOY
- PLATING:
  - 0.76 MICROMETER (30 MICROINCH) MINIMUM GOLD IN CONTACT AREA
  - SELECTIVE MATTE TIN ON PCB TAILS
  - NICKEL UNDERPLATE OVERALL
- PLUG MATES WITH RECEPTACLE ASSEMBLY 46079-10\*\*
- MODULE IS DESIGNED FOR PC TAILS TO THE PCB
- MODULE ASSEMBLY IS RoHS COMPLIANT
- MODULES TO BE UL & CSA LISTED PER UL-1977
- PRODUCT PERFORMANCE AND RATING PER PS-75431-\*\*\*\*
- APPLICATION SPEC PER AS-75541-\*\*\*\*
- RECOMMENDED PCB DRILL HOLE DIA 1.180/0465 (#56 DRILL)
- FOR MODULE CONFIGURATION SEE DRAWING SD-75541-001



**PCB LAYOUT  
2.40/.094 MAX THICK**



<b>REM 46081-2001 &amp; 2011</b> IEC NO: 2012/11/13 DRWN:BBARKER CHKD:MBANDURA APPR:APATEL 2012/12/06 2012/12/13	QUALITY SYMBOLS ▽=0 ▽=0 ▽=0	GENERAL TOLERANCES (UNLESS SPECIFIED)		DIMENSION STYLE <b>MM/IN</b>	SCALE <b>2:1</b>	DESIGN UNITS <b>METRIC</b>	THIRD ANGLE PROJECTION		
		4 PLACES ± --- ± --- 3 PLACES ± --- ± .005 2 PLACES ± 0.13 ± .010 1 PLACE ± 0.25 ± --- 0 PLACE ± ±	mm INCH ± --- ± --- ± .005 ± .010 ± 0.25 ± --- ± ±	DRAWN BY MDATA	DATE 2005/12/14	CHECKED BY APATEL	DATE 2005/12/15	<b>ASSEMBLY - PLUG 4 CIRCUIT - PC TAILS MULTI PATH</b>	
		ANGULAR ±1/2°		MATERIAL NO. <b>SEE CHART</b>	DATE 2005/12/20	APPROVED BY APATEL		<b>molex</b>	
		DRAFT WHERE APPLICABLE MUST REMAIN WITHIN DIMENSIONS		SIZE <b>C</b>	DOCUMENT NO. <b>SD-46081-200</b>		SHEET NO. <b>1 OF 1</b>		