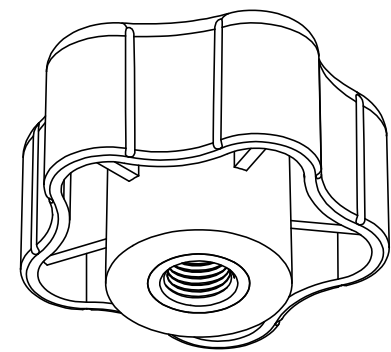
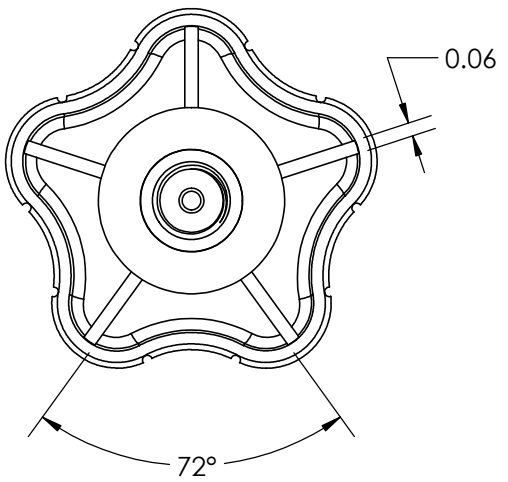
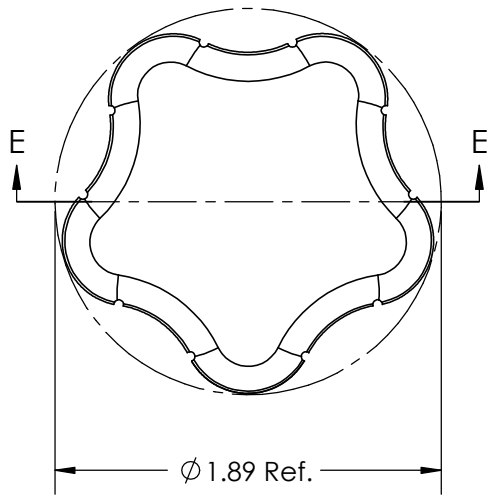
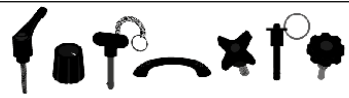


SECTION E-E



FOR CUSTOMER APPROVAL ONLY		REV	BY	DATE	COMMENT	DIMENSIONS ARE IN INCHES TOLERANCES FRACTIONAL ± TWO PLACE DECIMAL ± 0.03 THREE PLACE DECIMAL ± 0.010 UNLESS OTHERWISE NOTED	DRAWN	VRR	INNOVATIVE COMPONENTS				
NAME:	0	LQR	03/29/08	RELEASE DATE	APPROVED		LQR	DATE		03/12/2020	PART NAME		
TITLE:	1	LQR	05/16/19	Removed top Indentation	PROPRIETARY AND CONFIDENTIAL THE INFORMATION CONTAINED IN THIS DRAWING IS THE SOLE PROPERTY OF INNOVATIVE COMPONENTS. ANY REPRODUCTION IN PART OR AS A WHOLE WITHOUT THE WRITTEN PERMISSION OF INNOVATIVE COMPONENTS IS PROHIBITED.		KNOB MATERIAL Polypropylene, Black	COMMENTS RoHS Compliant	1.89" Ergo Star Knob 3/8-16 Blind Steel Zinc, RoHS Compliant				
DATE:	2	CPM	03/12/20	Added Washer						KNOB FINISH Textured	INSERT MATERIAL Steel	PART NUMBER KN6C----R5IB-21	DRAWING NUMBER KN6C---R5IB-21 R2
SIGNATURE:										INSERT PART NUMBER NR6C05310750-2R	INSERT FINISH Trivalent Zinc	SCALE 1:1	SHEET 1 OF 1



PLASTIC KNOBS / CONTROL KNOBS / HANDLES / QUICK RELEASE PINS & BALL LOCK PINS
 SPRING LOADED PINS & PLUNGERS / WIRE ROPE LANYARDS / THREAD IDENTIFIERS