

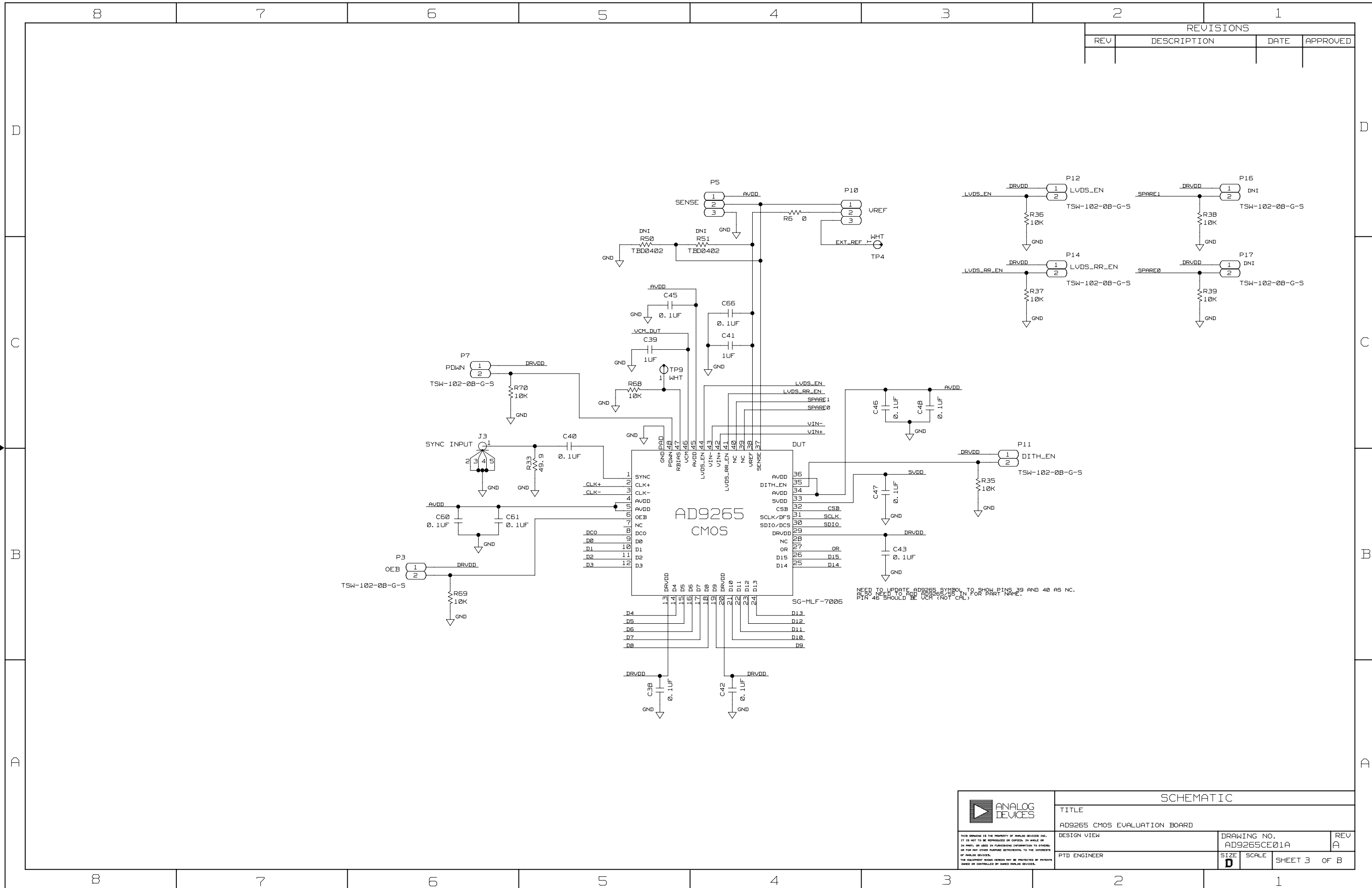
VARIABLE POWER SUPPLY INPUT

REVISIONS			
REV	DESCRIPTION	DATE	APPROVED

AD9265
 AVDD: +1.8V
 DRVDD: +1.8V
 SVDD: +1.8V TO +3.3V

REST OF BOARD
 V_DIG: +1.8V TO +3.3V (SPI, CMOS BUFF)
 3V_AVDD: +3.3V (AMP)
 5V_AVDD: +5V (AMP)
 AMP_VSS: -5V OR GND (AMP VS OPTION)

	SCHMATIC		
	TITLE AD9265 CMOS EVALUATION BOARD		
	DESIGN VIEW PTD ENGINEER	DRAWING NO. AD9265CE01A	REV A
<small>THIS DRAWING IS THE PROPERTY OF ANALOG DEVICES INC. IT IS NOT TO BE REPRODUCED OR COPIED, IN WHOLE OR IN PART, OR USED IN FURNISHING INFORMATION TO OTHERS, OR FOR ANY OTHER PURPOSE DETRIMENTAL TO THE INTERESTS OF ANALOG DEVICES. THE EQUIPMENT DESIGN HEREIN MAY BE PROTECTED BY PATENTS OWNED OR CONTROLLED BY ANALOG DEVICES.</small>		SIZE D	SCALE SHEET 2 OF 8

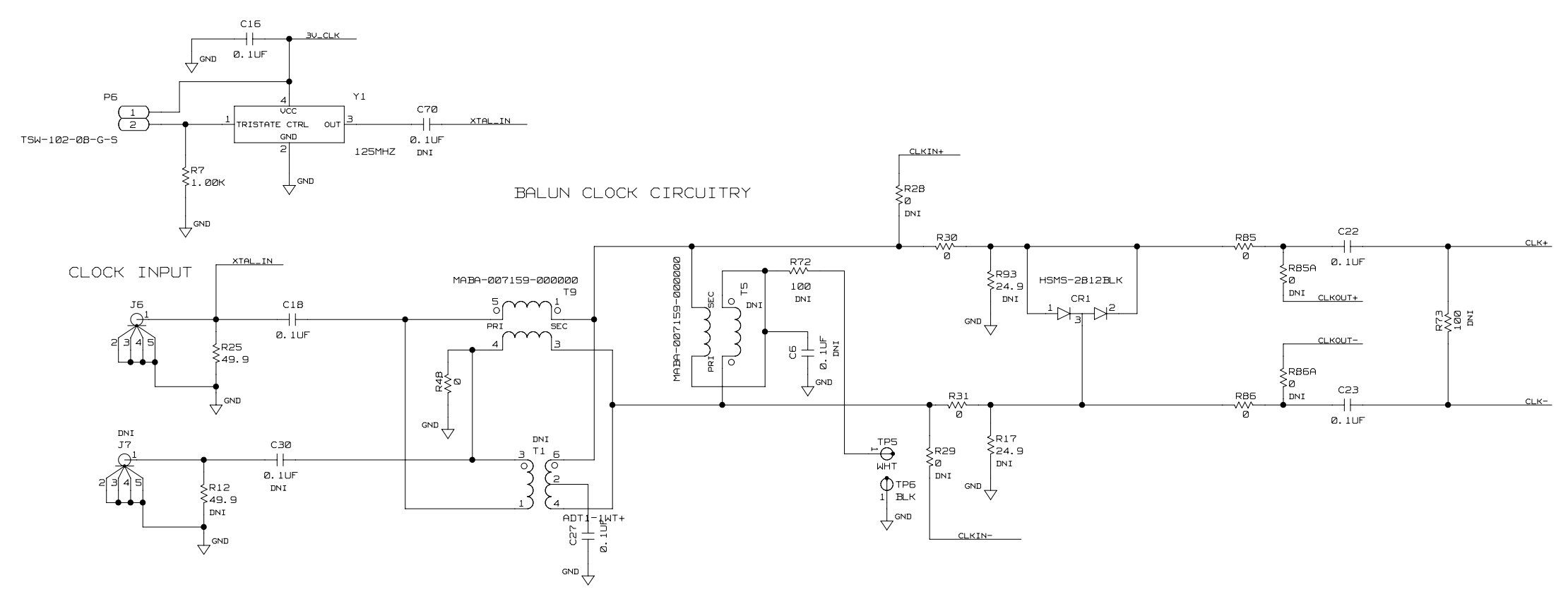


REVISIONS			
REV	DESCRIPTION	DATE	APPROVED

NEED TO UPDATE AD9265 SYMBOL TO SHOW PINS 39 AND 40 AS NC.
 PINS 39 AND 40 SHOULD BE IN FOR PART NAME.
 PIN 46 SHOULD BE UCM (NOT CML).

	TITLE		
	AD9265 CMOS EVALUATION BOARD		
	DESIGN VIEW	DRAWING NO.	REV
PTD ENGINEER	AD9265CE01A	A	
SIZE	SCALE	SHEET 3 OF 8	
D			

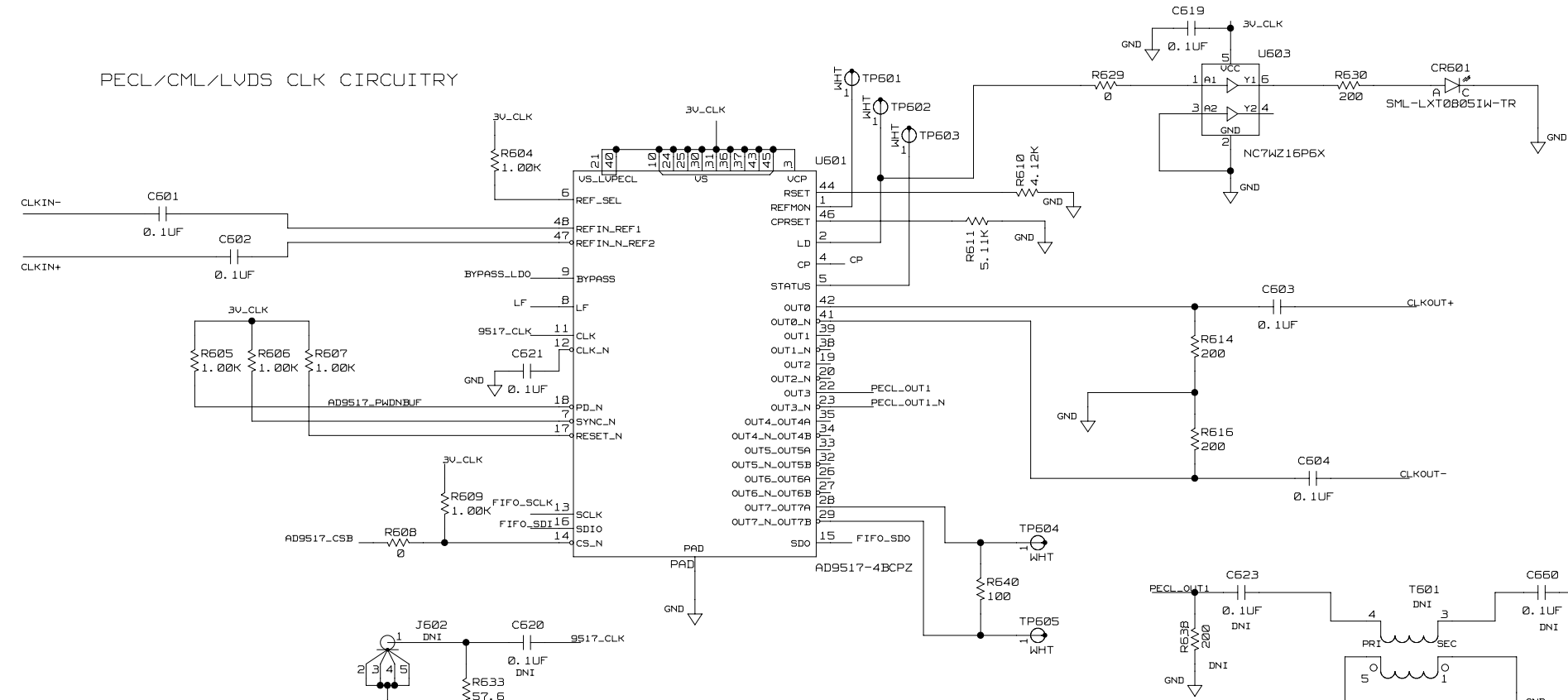
REVISIONS			
REV	DESCRIPTION	DATE	APPROVED



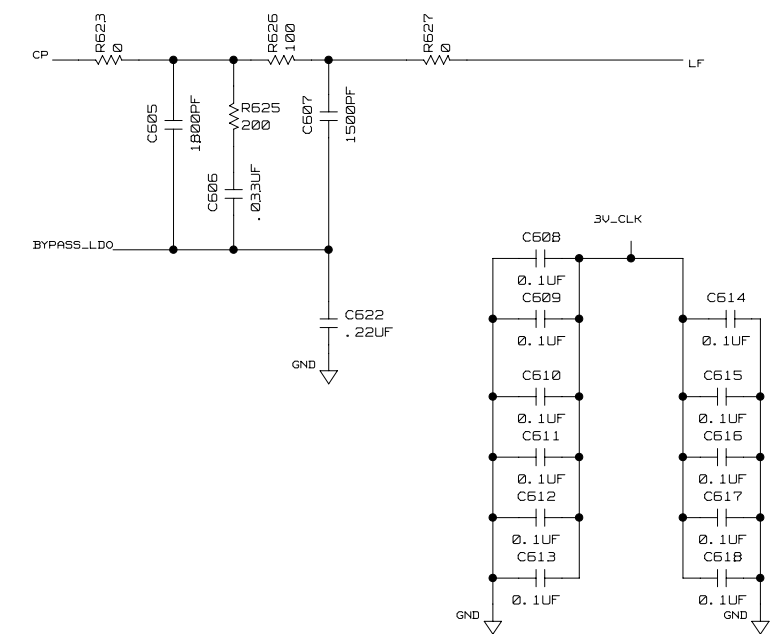
	TITLE		
	AD9265 CMOS EVALUATION BOARD		
	DESIGN VIEW	DRAWING NO.	REV
<small>THIS DRAWING IS THE PROPERTY OF ANALOG DEVICES INC. IT IS NOT TO BE REPRODUCED OR COPIED, IN WHOLE OR IN PART, OR USED IN FURNISHING INFORMATION TO OTHERS, OR FOR ANY OTHER PURPOSE DETRIMENTAL TO THE INTERESTS OF ANALOG DEVICES. THE EQUIPMENT DESIGN HEREIN MAY BE PROTECTED BY PATENTS OWNED OR CONTROLLED BY ANALOG DEVICES.</small>	PTD ENGINEER	AD9265CE01A	A
	SIZE	SCALE	SHEET 4 OF 8

REVISIONS			
REV	DESCRIPTION	DATE	APPROVED

PECL/CML/LVDS CLK CIRCUITRY



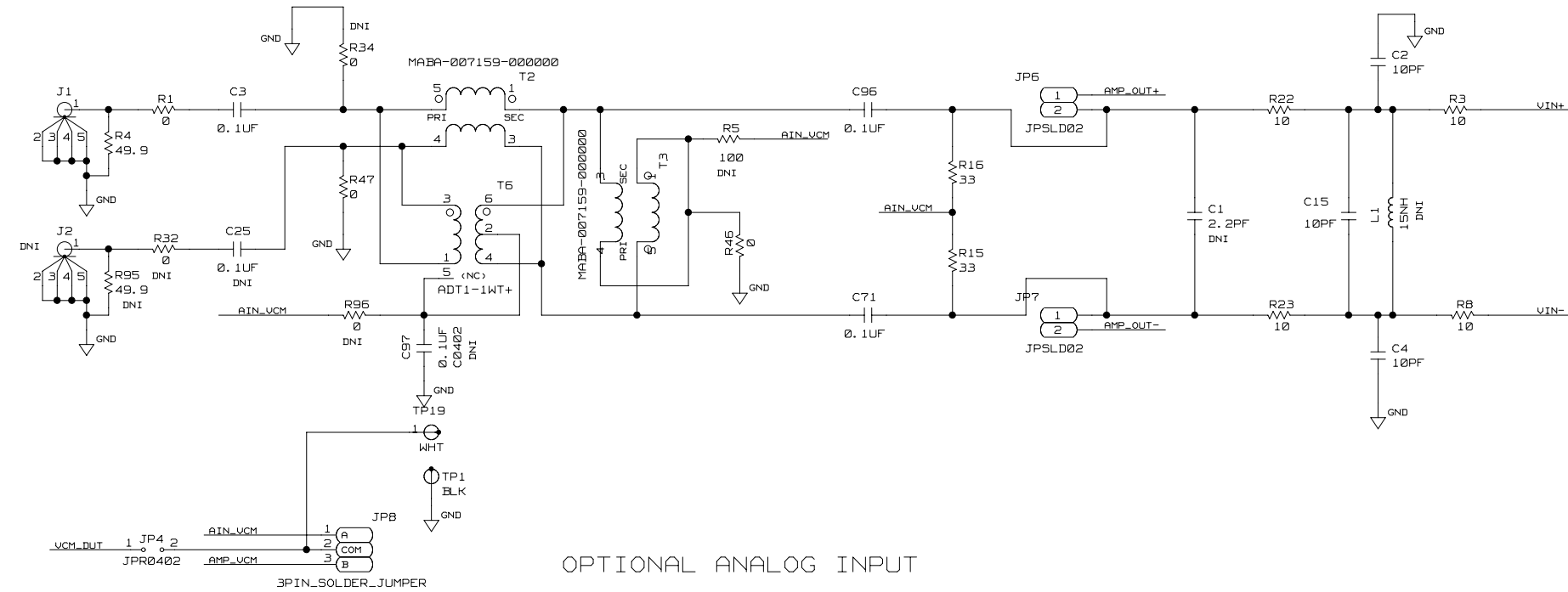
CHARGE PUMP FILTER



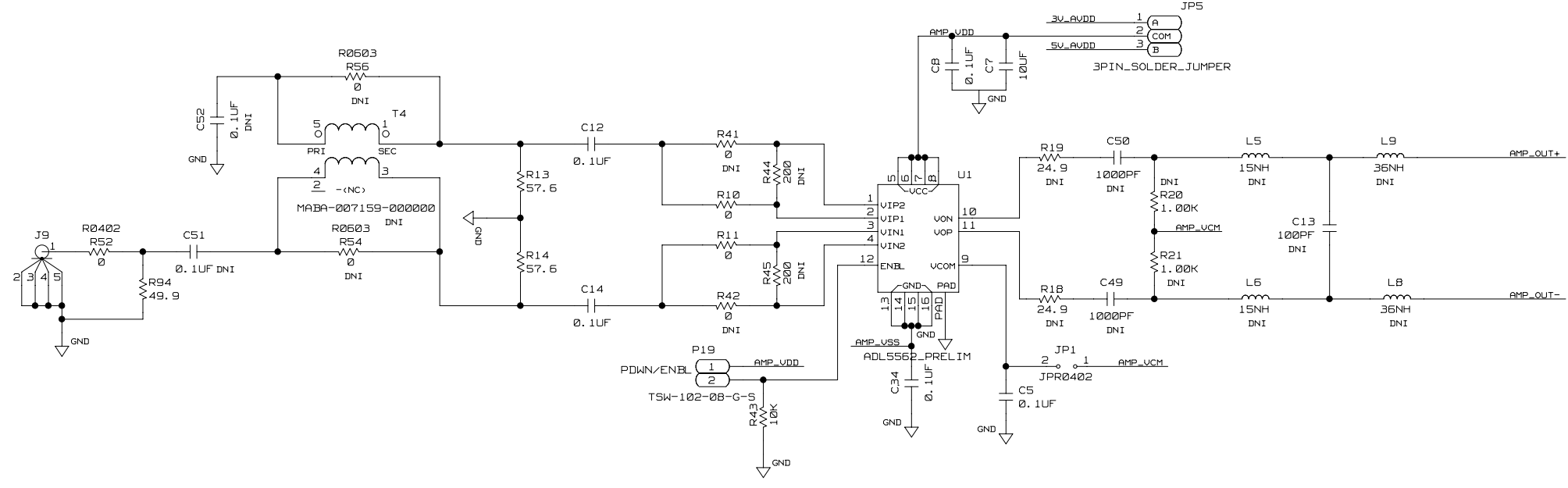
	TITLE		
	AD9265 CMOS EVALUATION BOARD		
DESIGN VIEW	DRAWING NO.	REV	
PTD ENGINEER	AD9265CE01A	A	
SIZE	SCALE	SHEET 5 OF 8	
D			

REVISIONS			
REV	DESCRIPTION	DATE	APPROVED

ANALOG INPUT CIRCUITRY



OPTIONAL ANALOG INPUT



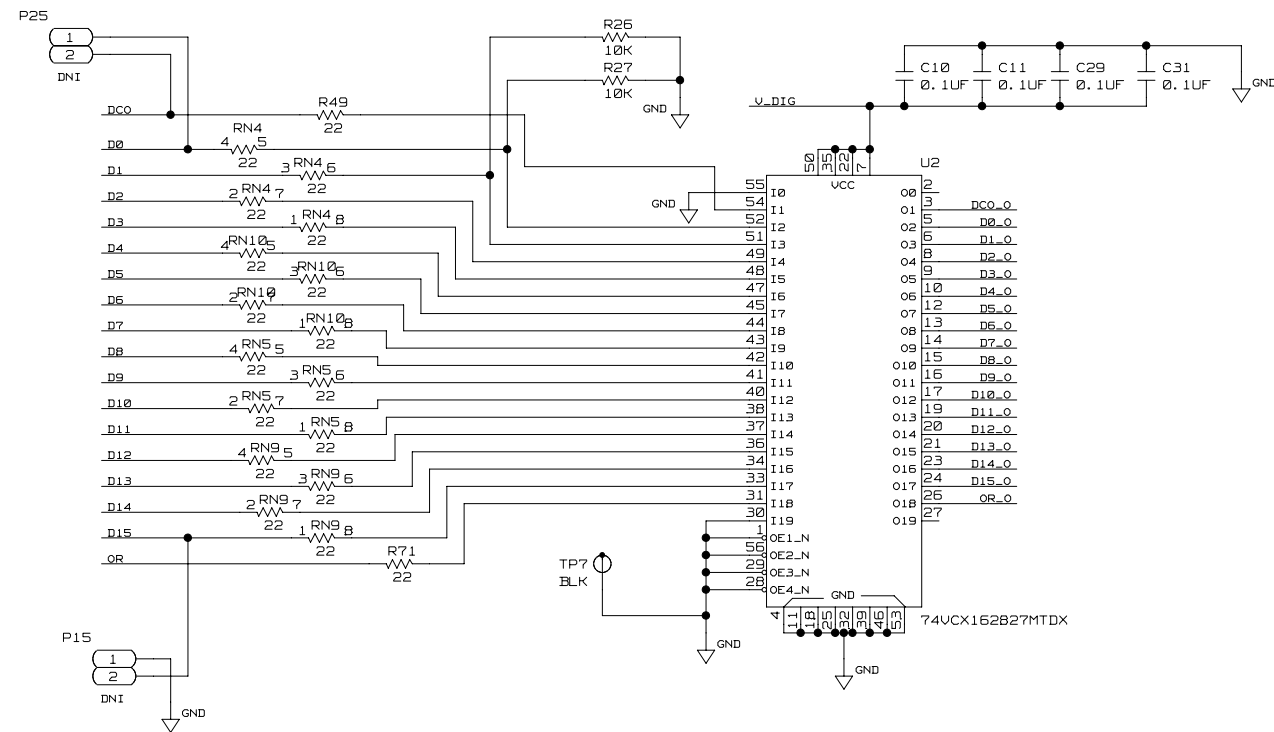
PAD IS NOT ELECTRICALLY CONNECTED INSIDE AMP

	TITLE		SCHEMATIC	
	AD9265 CMOS EVALUATION BOARD		DRAWING NO.	REV
	DESIGN VIEW		AD9265CE01A	A
PTD ENGINEER		SIZE	SCALE	SHEET 6 OF 8

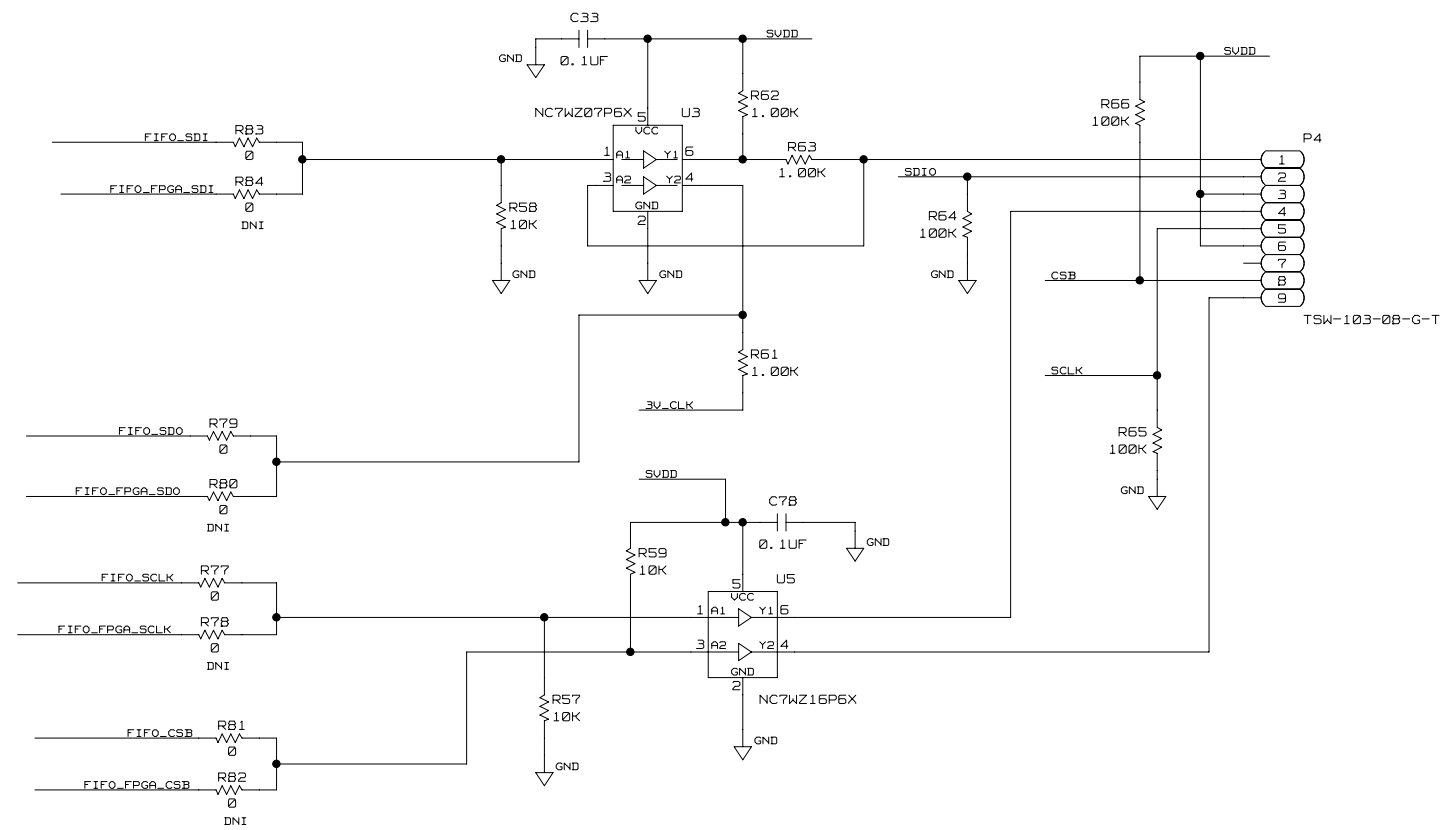
THIS DRAWING IS THE PROPERTY OF ANALOG DEVICES INC. IT IS NOT TO BE REPRODUCED OR COPIED, IN WHOLE OR IN PART, OR USED IN FURNISHING INFORMATION TO OTHERS, OR FOR ANY OTHER PURPOSE DETRIMENTAL TO THE INTERESTS OF ANALOG DEVICES. THE EQUIPMENT DESIGN HEREIN MAY BE PROTECTED BY PATENTS OWNED OR CONTROLLED BY ANALOG DEVICES.

REVISIONS			
REV	DESCRIPTION	DATE	APPROVED

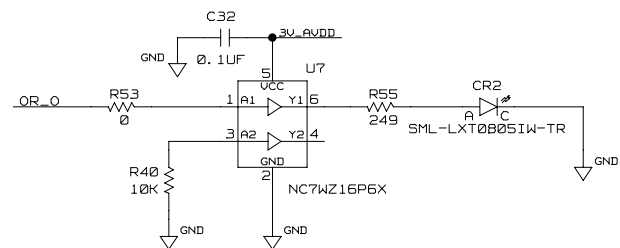
OUTPUT BUFFERS



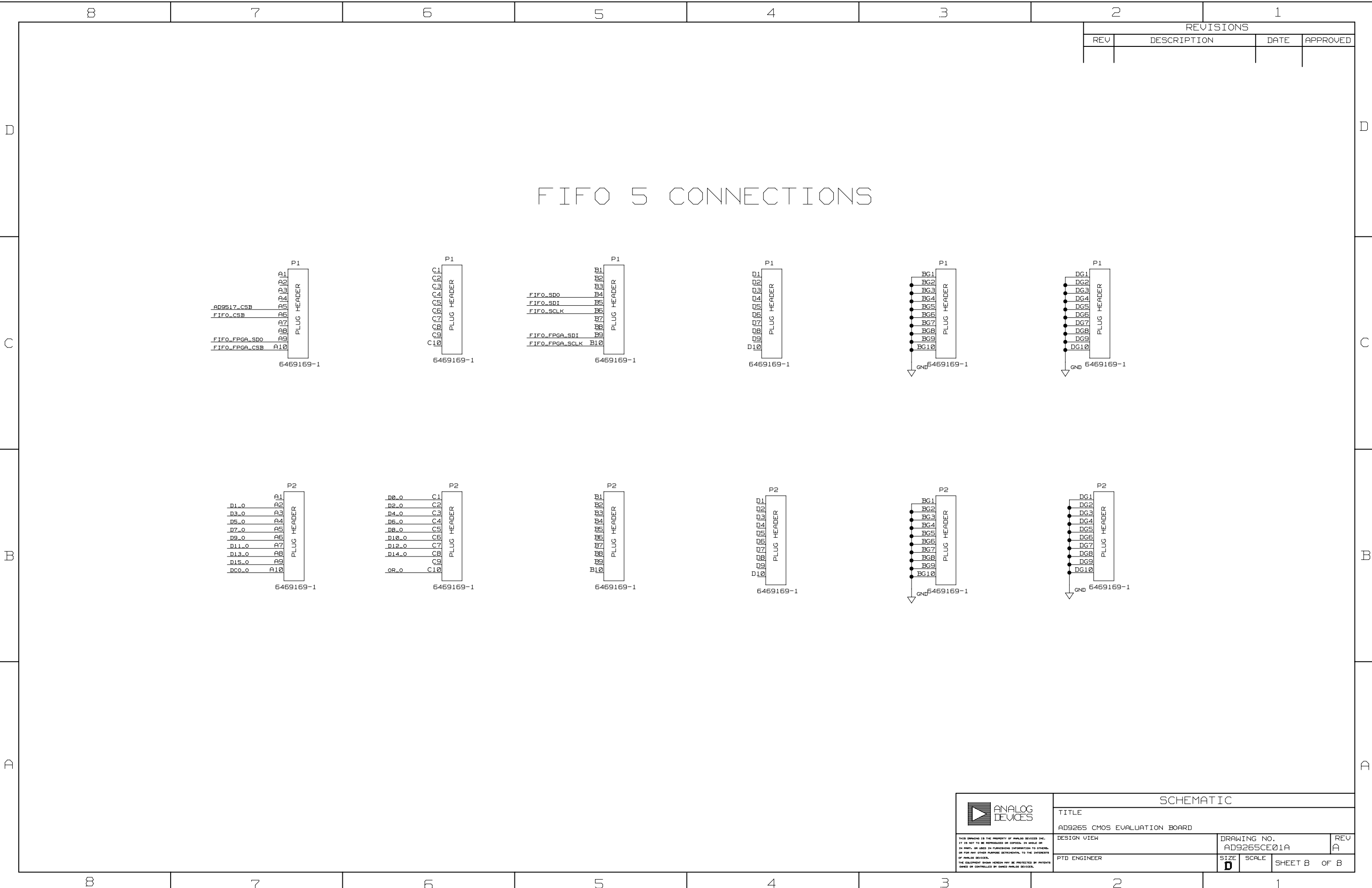
SPI CIRCUITRY



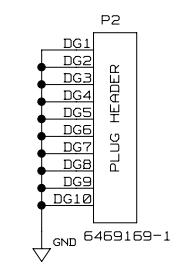
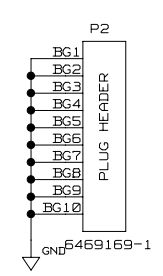
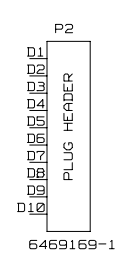
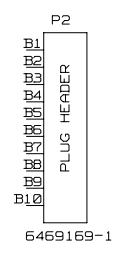
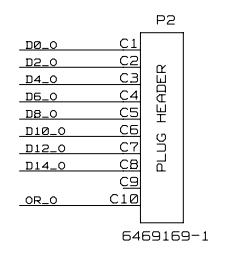
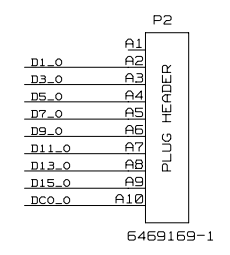
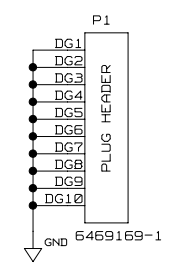
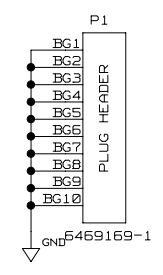
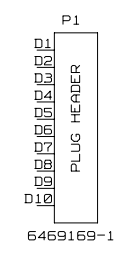
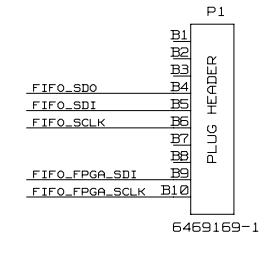
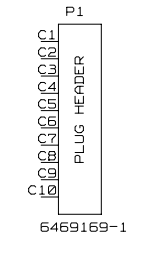
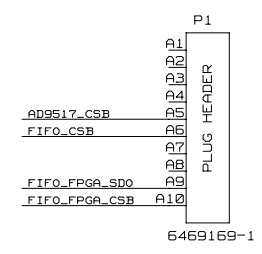
OTR LED CIRCUIT



	SCHEMATIC		
	TITLE AD9265 CMOS EVALUATION BOARD		
	DESIGN VIEW	DRAWING NO. AD9265CE01A	REV A
PTD ENGINEER		SIZE D	SCALE SHEET 7 OF 8



REVISIONS			
REV	DESCRIPTION	DATE	APPROVED



	SCHEMATIC		
	TITLE AD9265 CMOS EVALUATION BOARD		
	DESIGN VIEW PTD ENGINEER	DRAWING NO. AD9265CE01A	REV A
<small>THIS DRAWING IS THE PROPERTY OF ANALOG DEVICES INC. IT IS NOT TO BE REPRODUCED OR COPIED, IN WHOLE OR IN PART, OR USED IN FURNISHING INFORMATION TO OTHERS, OR FOR ANY OTHER PURPOSE DETRIMENTAL TO THE INTERESTS OF ANALOG DEVICES. THE EQUIPMENT SHOWN HEREIN MAY BE PROTECTED BY PATENTS OWNED OR CONTROLLED BY ANALOG DEVICES.</small>		SIZE D	SCALE SHEET B OF B