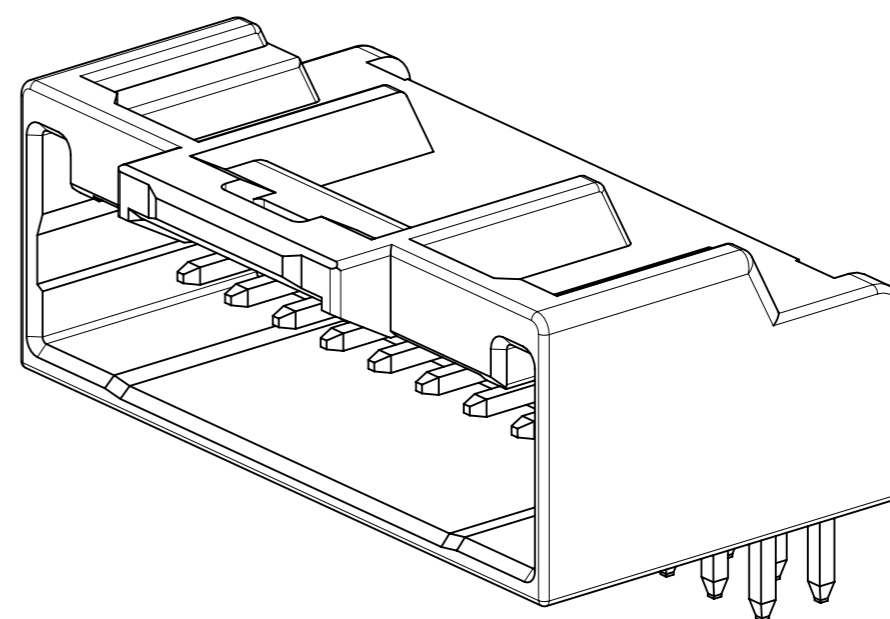
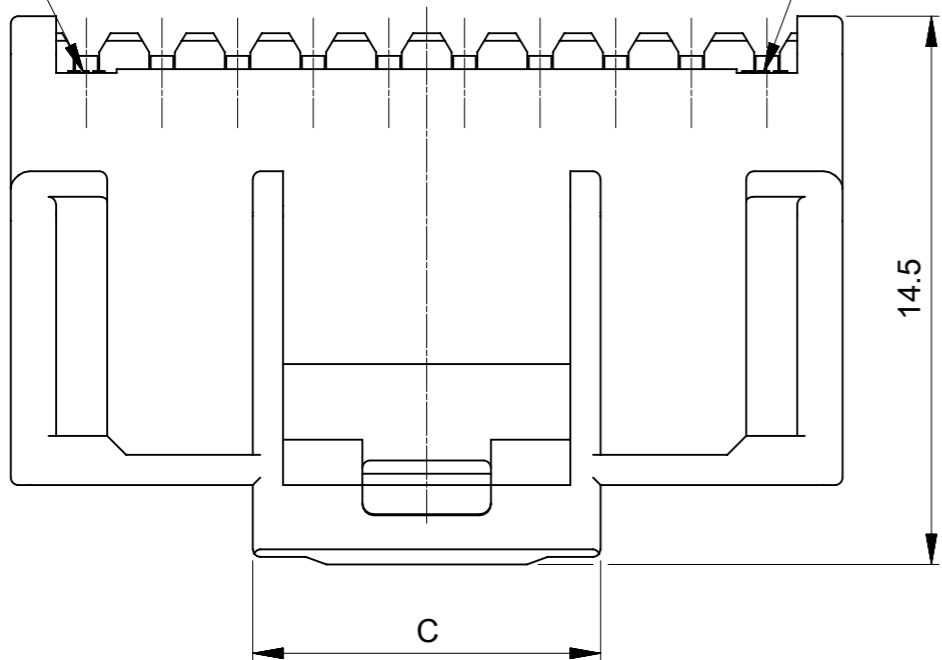
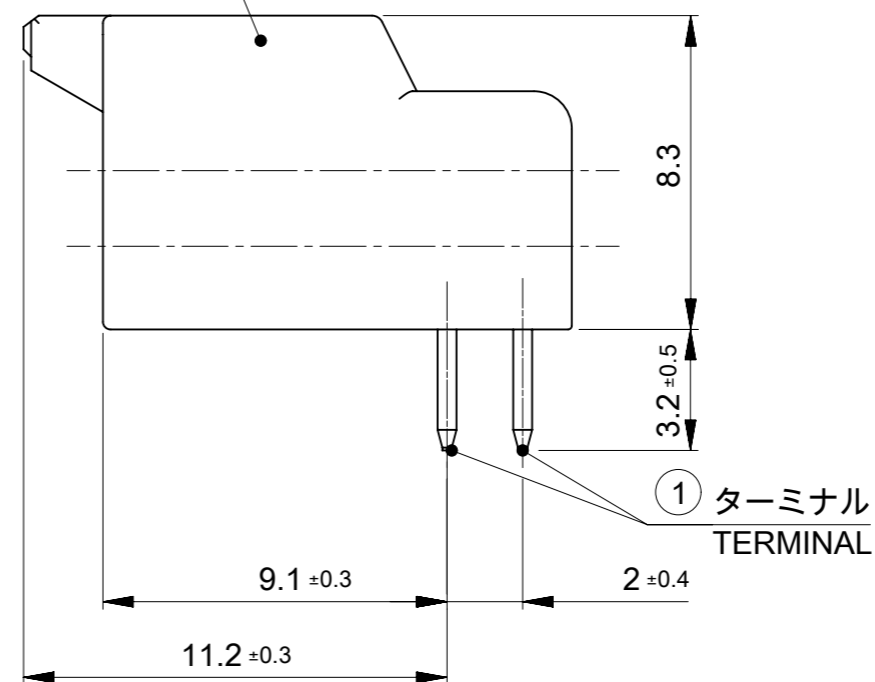
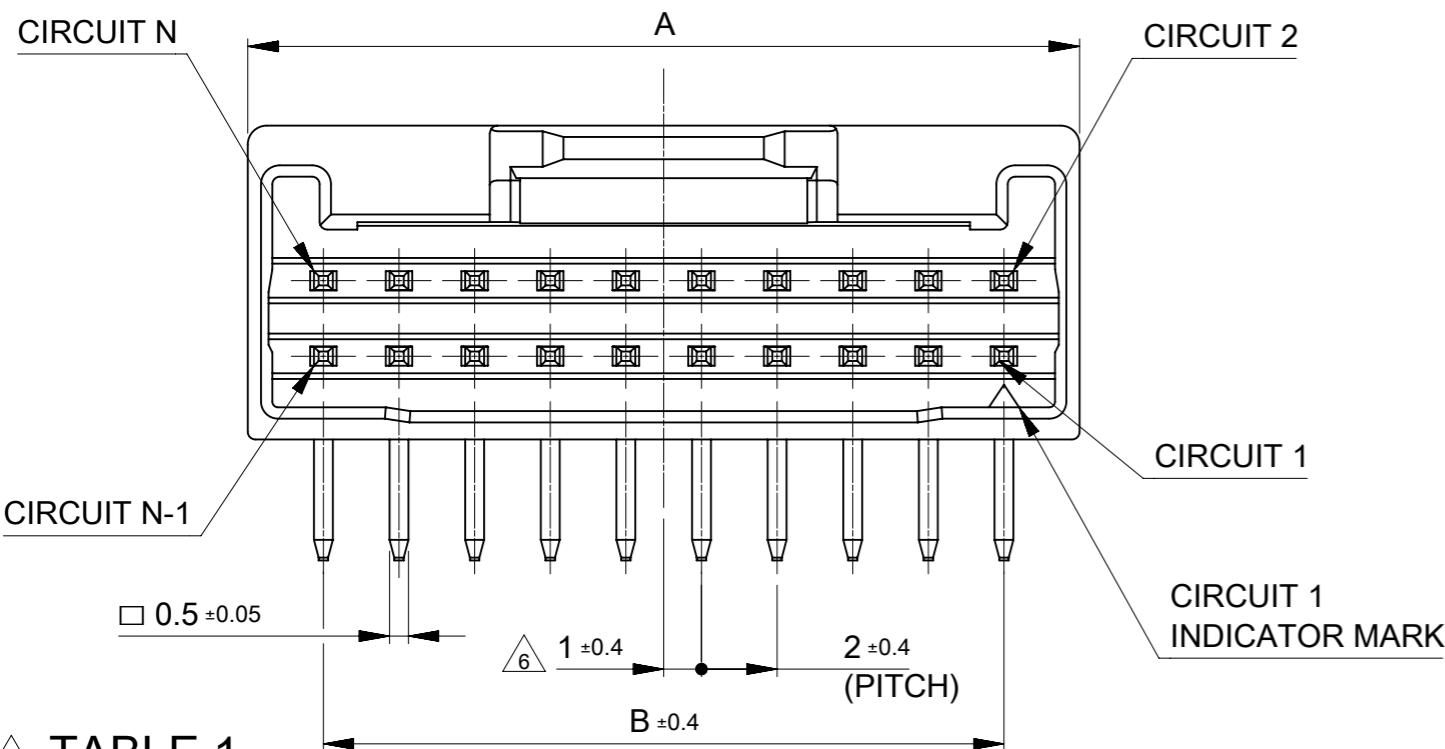


キャビティ番号
CAVITY No.

トレードマーク
TRADE MARK



②ハウジング
HOUSING



| | | | |
|-----|----|----|--------------------|
| 9.2 | 38 | 42 | 40 |
| 9.2 | 36 | 40 | 38 |
| 9.2 | 34 | 38 | 36 |
| 9.2 | 32 | 36 | 34 |
| 9.2 | 30 | 34 | 32 |
| 9.2 | 28 | 32 | 30 |
| 9.2 | 26 | 30 | 28 |
| 9.2 | 24 | 28 | 26 |
| 9.2 | 22 | 26 | 24 |
| 9.2 | 20 | 24 | 22 |
| 9.2 | 18 | 22 | 20 |
| 9.2 | 16 | 20 | 18 |
| 9.2 | 14 | 18 | 16 |
| 9.2 | 12 | 16 | 14 |
| 9.2 | 10 | 14 | 12 |
| 7.3 | 8 | 12 | 10 |
| C | B | A | 極数 CIRCUIT SIZE |

① TABLE 1

| 番号 No. | 部品 PART | 材質 MATERIAL | |
|-----------|-------------------|--|--|
| ① | ターミナル TERMINAL | 黄銅, BRASS | |
| | | 下地めっき UNDER PLATING | ニッケルめっき 1 micro-meter MIN NICKEL PLATING 1 micro-meter MIN |
| | | コンタクト CONTACT | 無光沢錫めっき 1 micro-meter MIN MATTE TIN PLATING 1 micro-meter MIN |
| ② | ハウジング HOUSING | テール SOLDER TAIL | |
| | | ポリアミド(PA)ガラス入り, UL94V-0, 色 : SEE CHART POLYAMIDE(PA) GLASS FILLED, UL94V-0, COLOR : SEE CHART | |

THIS DRAWING CONTAINS INFORMATION THAT IS PROPRIETARY TO MOLEX ELECTRONIC TECHNOLOGIES, LLC AND SHOULD NOT BE USED WITHOUT WRITTEN PERMISSION

| | | | | | |
|--|---------|---------------------------|--|-----------------|----------|
| DIMENSION UNITS | SCALE | CURRENT REV DESC: REVISED | molex | | |
| mm | NTS | | | | |
| GENERAL TOLERANCES (UNLESS SPECIFIED) | | | IGRID 2.0 PLUG ASSEMBLY RIGHT ANGLE TIN PLATING | | |
| ANGULAR TOL | ± 3.0 ° | EC NO: 721018 | PRODUCT CUSTOMER DRAWING | | |
| 4 PLACES | ± 0.2 | DRWN: HHUSSIN | 2022/09/06 | | |
| 3 PLACES | ± 0.2 | CHK'D: SAKIYAMA | 2022/11/21 | | |
| 2 PLACES | ± 0.2 | APPR: AIDA | 2022/11/21 | | |
| 1 PLACE | ± 0.2 | INITIAL REVISION: | | | |
| 0 PLACES | ± 0.2 | DRWN: SNAKAMURA08 | 2019/05/14 | DOCUMENT NUMBER | DOC TYPE |
| DRAFT WHERE APPLICABLE MUST REMAIN WITHIN DIMENSIONS | | | 2019/05/24 | 5018760000-SD | PSD |
| THIRD ANGLE PROJECTION | | | DRAWING | SERIES | CUSTOMER |
| A3-SIZE | | | 501876 | SEE SHEET 3 | GENERAL |
| SHEET NUMBER | | | 1 OF 3 | | |

NOTES.

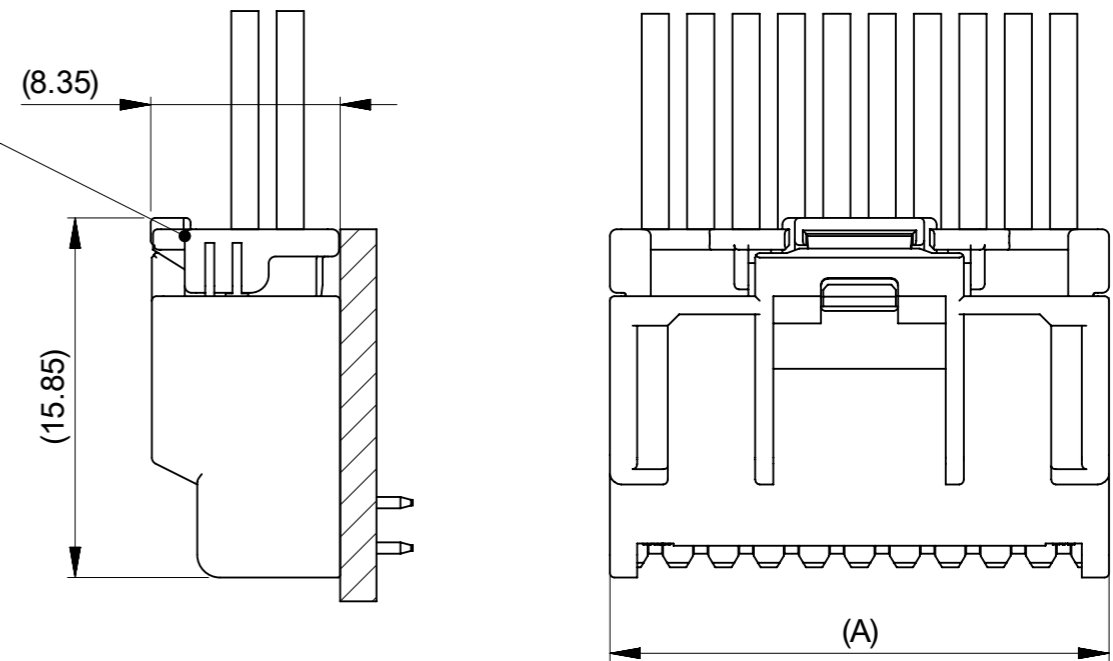
- 1. 材料及び仕上げ(めっき仕様) : TABLE 1 参照
MATERIAL AND FINISHES : SEE TABLE 1
- 2. 製品仕様書 : PS-501646-001
PRODUCT SPECIFICATION:PS-501646-001
- 3. 嵌合相手:
MATES WITH:

| | | |
|-----------------------------------|---|---------------|
| リセプタクルハウジング RECEPTACLE HOUSING | 501646 SERIES | |
| 圧着端子 RECEPTACLE CRIMP TERMINAL | AWG #22-26 錫めっき AWG #22-26 TIN PLATING | 501647 SERIES |
| | AWG #26-28 錫めっき AWG #26-28 TIN PLATING | 501648 SERIES |

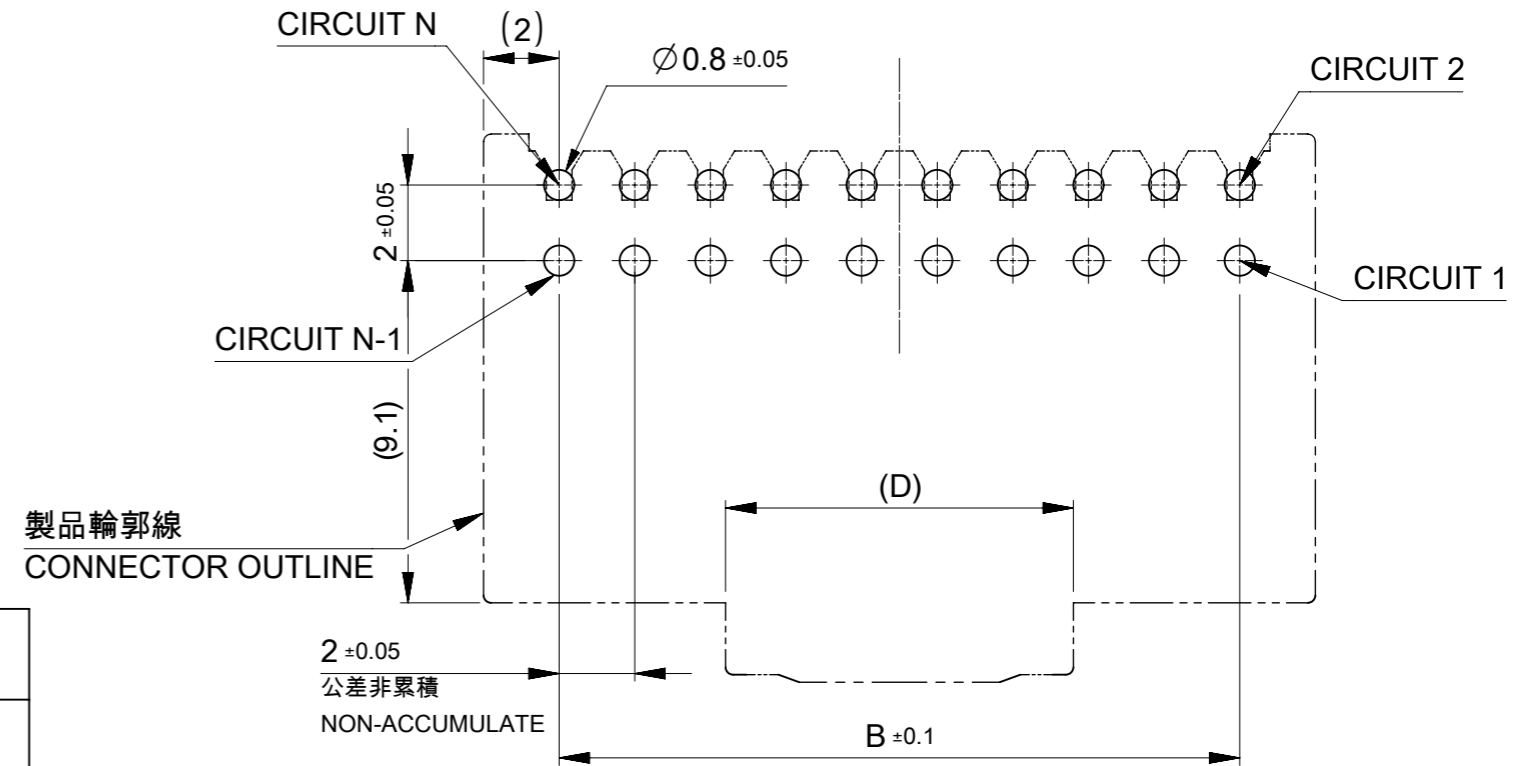
- 4. アプリケーション仕様書(コネクタ取扱い説明書) : 5016460000-PS A01
APPLICATION SPECIFICATION(CONNECTOR MANNUAL): 5016460000-PS A00
- 5. 本製品は錫めっき品です。
THIS PRODUCT IS A TIN PLATING.
- 6. 極数/2 = 偶数に適応
APPLY FOR CIRCUIT SIZE / 2 =EVEN
- 7. ターミナルに錫めっきを使用している為、外観に摺動痕が付く場合があります。
THE WOUND OF FRICTION MIGHT ADHERE TO EXTERNALS
BECAUSE THE TIN PLATING IS USED IN TERMINAL.
- 8. 梱包仕様書: SPK-501876-001
PACKING INFORMATION : SPK-501876-001
- 9. 発注番号 : SHEET 3 参照
ORDER No. : PLEASE REFER TO SHEET 3 FOR PRODUCT LIST

| | | |
|--------------------|------|------------------------------|
| 501876 | **4* | ハウジングカラー HOUSING COLOR |
| 極数 CIRCUIT SIZE | | 0:ナチュラル NATURAL (白 WHITE) |
| | | 1:黒 BLACK |
| | | 2:赤 RED |
| | | 4:青 BLUE |
| | | 6:緑 GREEN |

嵌合相手 501646 SERIES
MATE WITH : 501646 SERIES



嵌合図
MATED CONNECTORS



製品輪郭線
CONNECTOR OUTLINE

基板取付穴推奨寸法(マウント面)
RECOMMENDED PCB HOLE DIMENSION (MOUNTING SIDE)
参考基板厚 t=1.2~1.6
REFERANCE PCB THICKNESS t=1.2~1.6

| | | | | | | | |
|---|--------------|---------------------------|------------|--------------------------|-----------------|--|--------------|
| THIS DRAWING CONTAINS INFORMATION THAT IS PROPRIETARY TO MOLEX ELECTRONIC TECHNOLOGIES, LLC AND SHOULD NOT BE USED WITHOUT WRITTEN PERMISSION | | CURRENT REV DESC: REVISED | | molex | | | |
| DIMENSION UNITS mm | SCALE NTS | | | | | IGRID 2.0 PLUG ASSEMBLY RIGHT ANGLE TIN PLATING | |
| GENERAL TOLERANCES (UNLESS SPECIFIED) | | EC NO: 721018 | | PRODUCT CUSTOMER DRAWING | | | |
| ANGULAR TOL | ± 3.0 ° | DRWN: HHUSSIN | 2022/09/06 | DOCUMENT NUMBER | | | |
| 4 PLACES | ± 0.2 | CHK'D: SAKIYAMA | 2022/11/21 | DOC TYPE | | | |
| 3 PLACES | ± 0.2 | APPR: AIDA | 2022/11/21 | DOC PART | | | |
| 2 PLACES | ± 0.2 | INITIAL REVISION: | | REVISION | | | |
| 1 PLACE | ± 0.2 | DRWN: SNAKAMURA08 | 2019/05/14 | 5018760000-SD | | | |
| 0 PLACES | ± 0.2 | APPR: KOMURAKAMI | 2019/05/24 | PSD 000 D | | | |
| DRAFT WHERE APPLICABLE MUST REMAIN WITHIN DIMENSIONS | | THIRD ANGLE PROJECTION | DRAWING | SERIES | MATERIAL NUMBER | CUSTOMER | SHEET NUMBER |
| | | | A3-SIZE | 501876 | SEE SHEET 3 | GENERAL | 2 OF 3 |

製品形状
PRODUCT SHAPE

10, 12 極
10, 12 CIRCUIT



14 - 40 極
14 - 40 CIRCUIT



△ 製品一覧 PRODUCT LIST

| 緑: GREEN | 青: BLUE | 赤: RED | 黒: BLACK | ナチュラル: NATURAL (白: WHITE) | HOUSING COLOR |
|------------------------|-------------|-------------|-------------|------------------------------|------------------|
| 501876 4046 | 501876 4044 | 501876 4042 | 501876 4041 | 501876 4040 | 40 |
| ↑ 3846 | ↑ 3844 | ↑ 3842 | ↑ 3841 | ↑ 3840 | 38 |
| 3646 | 3644 | 3642 | 3641 | 3640 | 36 |
| 3446 | 3444 | 3442 | 3441 | 3440 | 34 |
| 3246 | 3244 | 3242 | 3241 | 3240 | 32 |
| 3046 | 3044 | 3042 | 3041 | 3040 | 30 |
| 2846 | 2844 | 2842 | 2841 | 2840 | 28 |
| 2646 | 2644 | 2642 | 2641 | 2640 | 26 |
| 2446 | 2444 | 2442 | 2441 | 2440 | 24 |
| 2246 | 2244 | 2242 | 2241 | 2240 | 22 |
| 2046 | 2044 | 2042 | 2041 | 2040 | 20 |
| 1846 | 1844 | 1842 | 1841 | 1840 | 18 |
| 1646 | 1644 | 1642 | 1641 | 1640 | 16 |
| 1446 | 1444 | 1442 | 1441 | 1440 | 14 |
| ↓ 1246 | ↓ 1244 | ↓ 1242 | ↓ 1241 | ↓ 1240 | 12 |
| 501876 1046 | 501876 1044 | 501876 1042 | 501876 1041 | 501876 1040 | 10 |
| 発注番号 ORDER No. | | | | | 極数 |
| PACKAGING STYLE : TRAY | | | | | CIRCUIT SIZE |

THIS DRAWING CONTAINS INFORMATION THAT IS PROPRIETARY TO MOLEX ELECTRONIC TECHNOLOGIES, LLC AND SHOULD NOT BE USED WITHOUT WRITTEN PERMISSION

| | | | | | |
|--|------------------------|---------------------------|--------------------------|--------------|----------|
| DIMENSION UNITS mm | SCALE NTS | CURRENT REV DESC: REVISED | molex | | |
| GENERAL TOLERANCES (UNLESS SPECIFIED) | | EC NO: 721018 | | | |
| ANGULAR TOL ± 3.0° | 4 PLACES ± 0.2 | DRWN: HHUSSIN | PRODUCT CUSTOMER DRAWING | | |
| 3 PLACES ± 0.2 | 2 PLACES ± 0.2 | CHK'D: SAKIYAMA | DOCUMENT NUMBER | | |
| 2 PLACES ± 0.2 | 1 PLACE ± 0.2 | APPR: AIDA | 5018760000-SD | | |
| 1 PLACE ± 0.2 | 0 PLACES ± 0.2 | INITIAL REVISION: | DOC TYPE | DOC PART | REVISION |
| DRAFT WHERE APPLICABLE MUST REMAIN WITHIN DIMENSIONS | THIRD ANGLE PROJECTION | DRWN: SNAKAMURA08 | PSD | 000 | D |
| | | APPR: KOMURAKAMI | CUSTOMER | SHEET NUMBER | |
| | | | GENERAL | 3 OF 3 | |